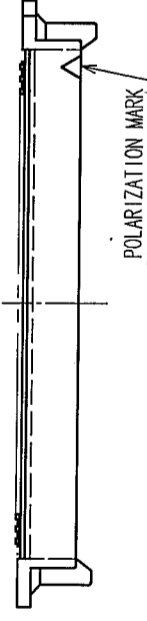
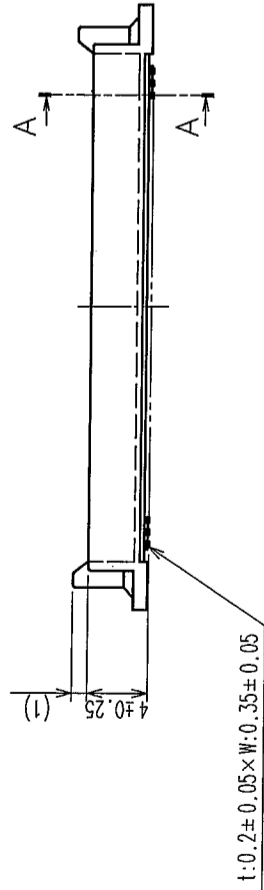
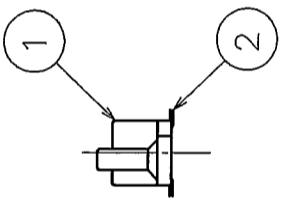
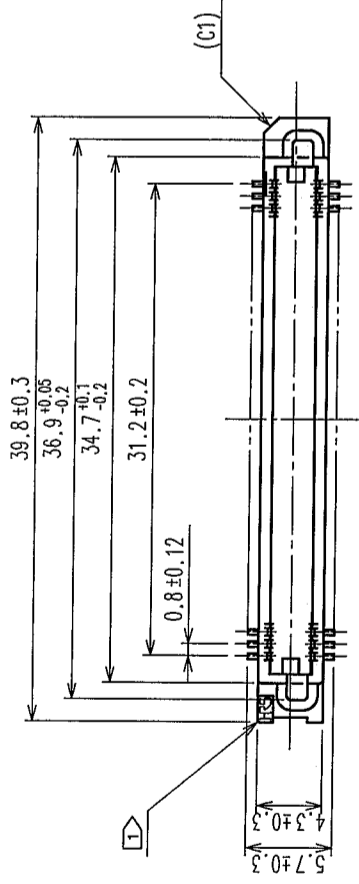
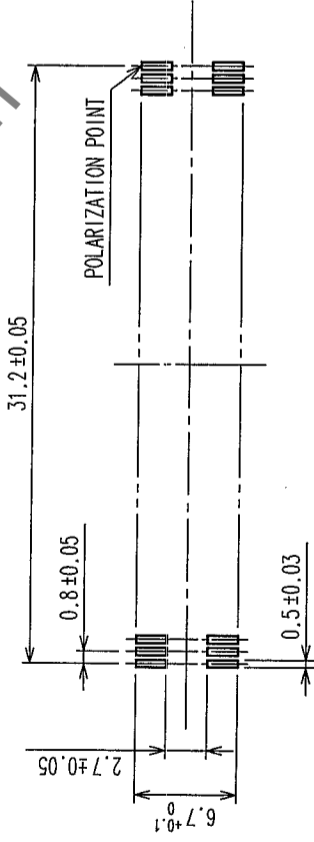


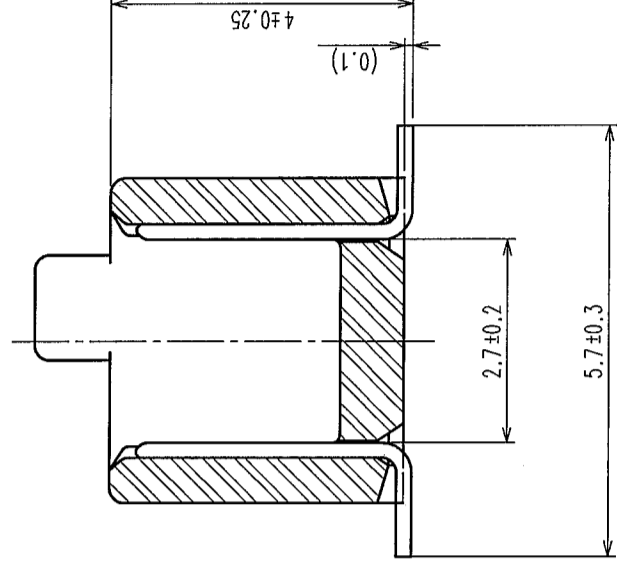
COUNT	DESCRIPTION OF REVISIONS	BY	CHKD	DATE	COUNT	DESCRIPTION OF REVISIONS	BY	CHKD	DATE
△					△				
△					△				
△					△				



RECOMMENDED P.C.B. LAND PATTERN (MOUNT SIDE)



A-A (10:1)



HRS DRAWING FOR REFERENCE

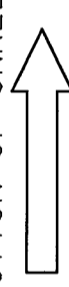
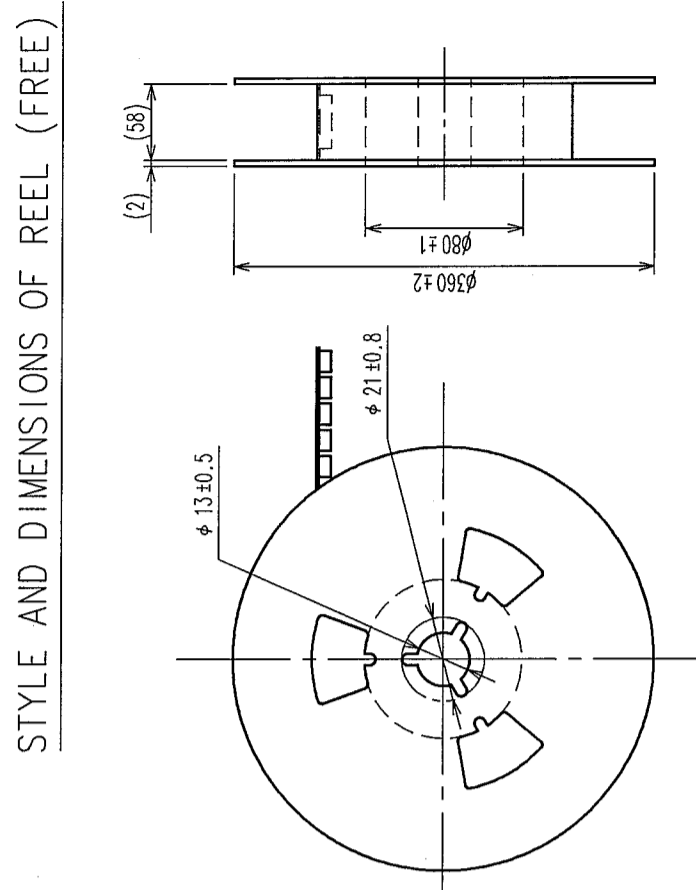
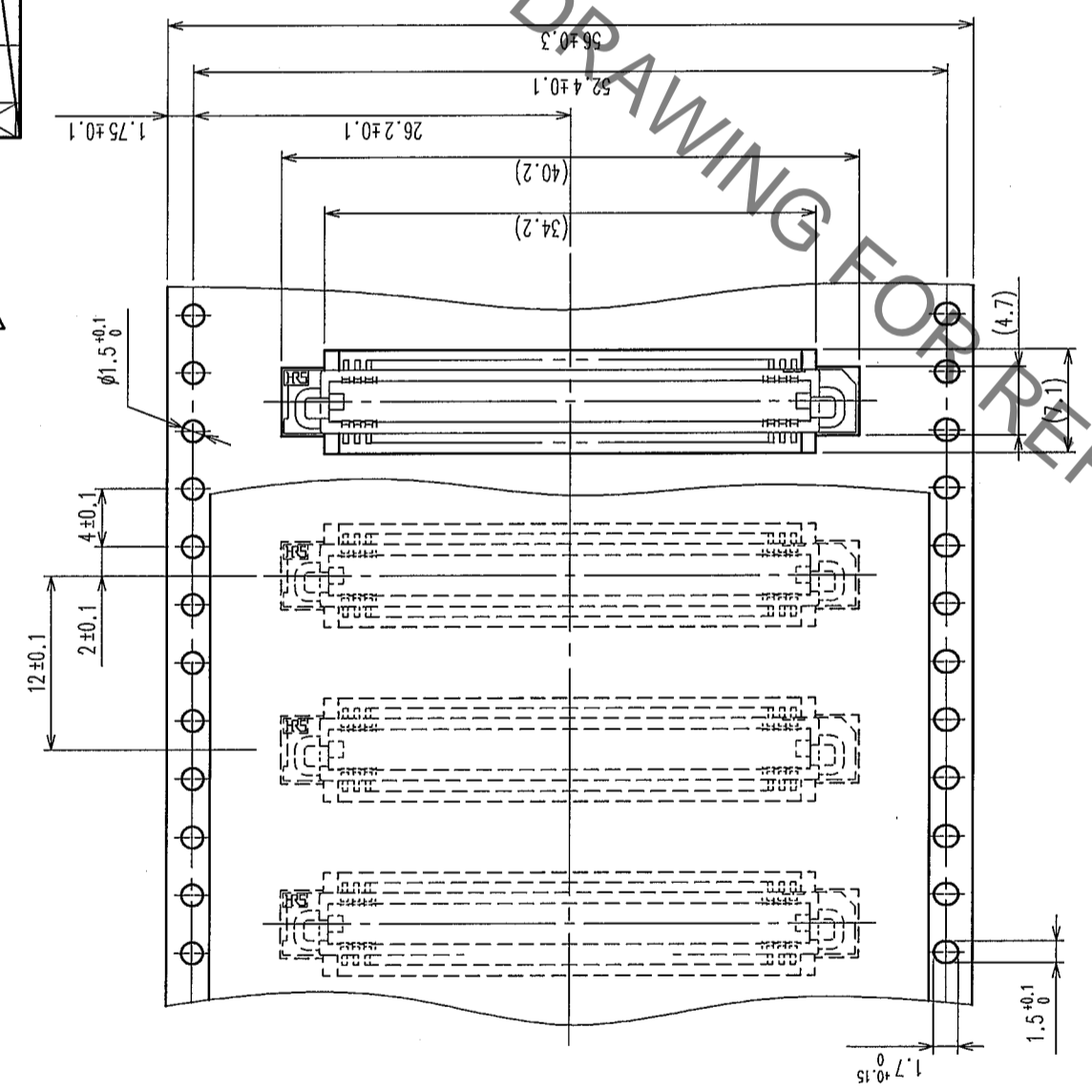
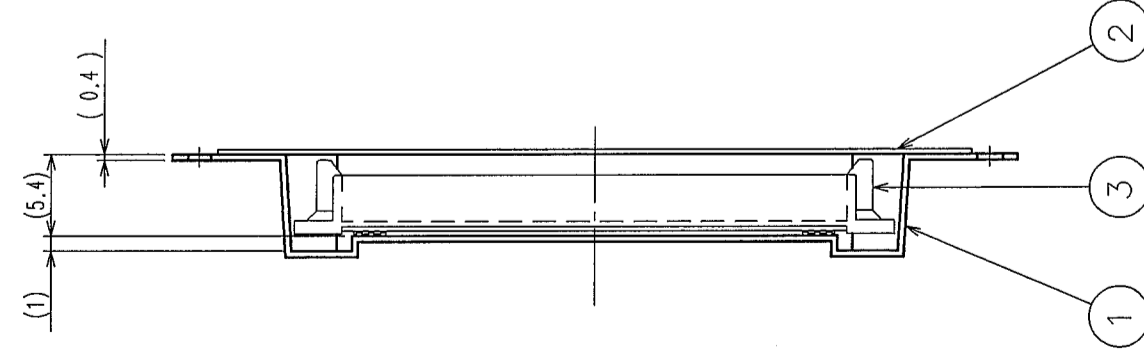
- NOTE
- 1 HRS MARK SHALL BE OPTIONAL.
 - 2 LEAD CO-PLANARITY SHALL BE 0.1mm MAX.
 - 3 THE DIMENSIONS IN PARENTHESES ARE FOR REFERENCE.
 - 4 EMBOSSED CARRIER TAPE PACKAGING SHALL BE APPLIED FOR THIS PRODUCT.
 - 5 FOR MODIFICATION, ETC, PREVENTIVE HOLE FOR SINK MARK MAY BE ADDED ACCORDING TO CIRCUMSTANCES.

1	POLYPHENYLENE SULFIDE	LIGHT BROWN	UL94V-0	2	PHOSPHOR BRONZE	CONTACT AREA : GOLD 0.1μ m min. LEAD AREA : GOLD FLASH
NO.	MATERIAL	FINISH, REMARKS	NO.	MATERIAL	UNDER PLATING : NICKEL 1.5μ m min.	
CODE NO. (OLD)			DESIGNED	CHECKED	APPROVED	RELEASED
			DRAWN Y. AOYAGI		<i>T. Ikeda</i>	<i>H. Okawa</i>
			'05.09.16	'05.09.26	'05.09.27	
DRAWING NO. EDC3-071329-22		PART NO. FX6A-80P-0.8SV(92)		CODE NO. CL576-0207-9-92		
SCALE 2 : 1		UNITS mm		HRS HIROSE ELECTRIC CO., LTD		

TO	

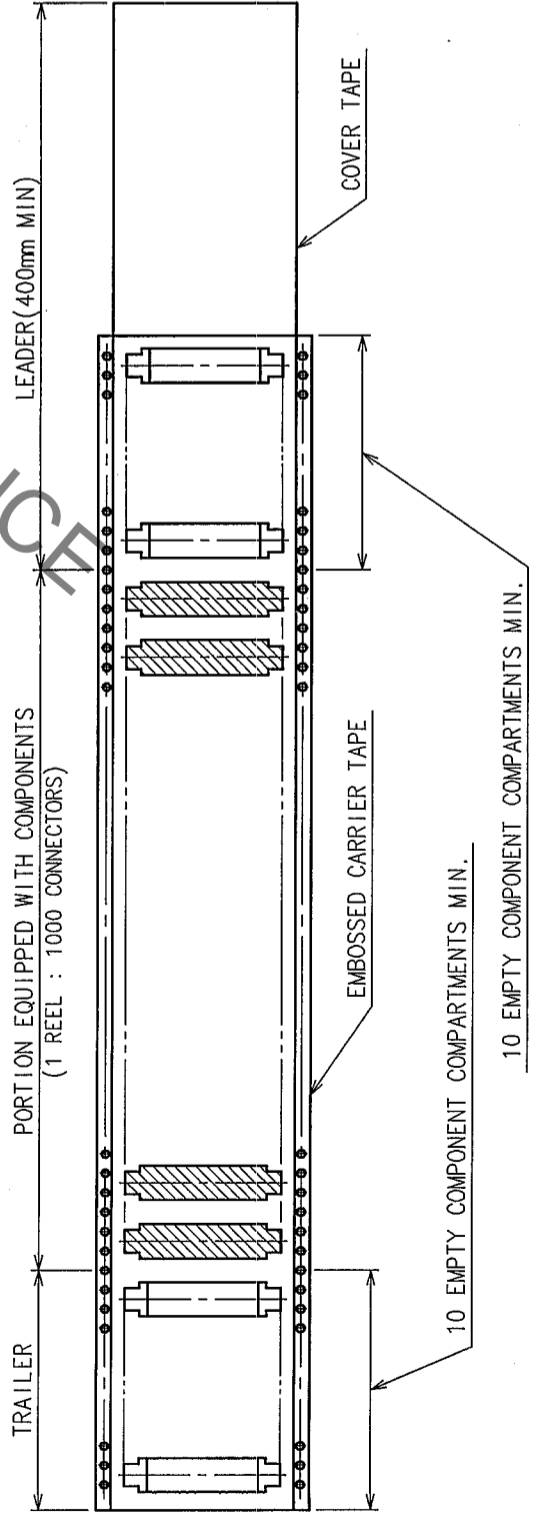
COUNT	DESCRIPTION OF REVISIONS	BY	CHKD	DATE	COUNT	DESCRIPTION OF REVISIONS	BY	CHKD	DATE

DIRECTION OF UNREELING

STYLE AND DIMENSIONS OF REEL (FREE)

HRS DRAWING FOR REFERENCE



NOTE 1 THE DIMENSIONS IN PARENTHESES ARE FOR REFERENCE.
2 1REEL:1000 CONNECTORS.

NO.	MATERIAL	FINISH, REMARKS	NO.	MATERIAL	FINISH, REMARKS	DESIGNED	CHECKED	APPROVED	RELEASED
2	POLYESTER	COVER TAPE							
1	POLYSTYRENE	EMBOSSED CARRIER TAPE	3		(CONNECTOR)				
DRAWING FOR PACKING						Y. AOYAGI	X. Ogyawa	H. Okawa	
CODE NO. (OLD)						05.09.12	05.09.26	05.09.27	
DRAWING NO.						PART NO.			
EDC3-071329-22						FX6A-80P-0.8SV(92)			
SCALE						CODE NO.			
2 : 1						CL576-0207-9-92			
UNITS						mm			
HIROSE ELECTRIC CO., LTD						HRS			

TO