



Adapter for installation of actuators and signaling units, 22 mm, in a mounting drill hole 30.5 mm, Metal, matte, with seal

product brand name	SIRIUS ACT
product designation	Adapter
design of the product	for 30.5 mm to 22.5 mm mounting hole
product type designation	3SU1

General technical data

protection class IP	IP66, IP67, IP69(IP69K)
---------------------	-------------------------

Installation/ mounting/ dimensions

height	40 mm
width	38 mm
mounting height	4.6 mm

Accessories

material of accessory	Metal matt
color of accessory	sand gray

Certificates/ approvals

General Product Approval	Declaration of Conformity	Test Certificates	Marine / Shipping
--------------------------	---------------------------	-------------------	-------------------



[Miscellaneous](#)



EG-Konf.

[Miscellaneous](#)

[Type Test Certificates/Test Report](#)



ABS

Marine / Shipping	other
-------------------	-------



LRS



PRS



RINA



RMRS

[Confirmation](#)

Further information

Information- and Downloadcenter (Catalogs, Brochures,...)

<https://www.siemens.com/ic10>

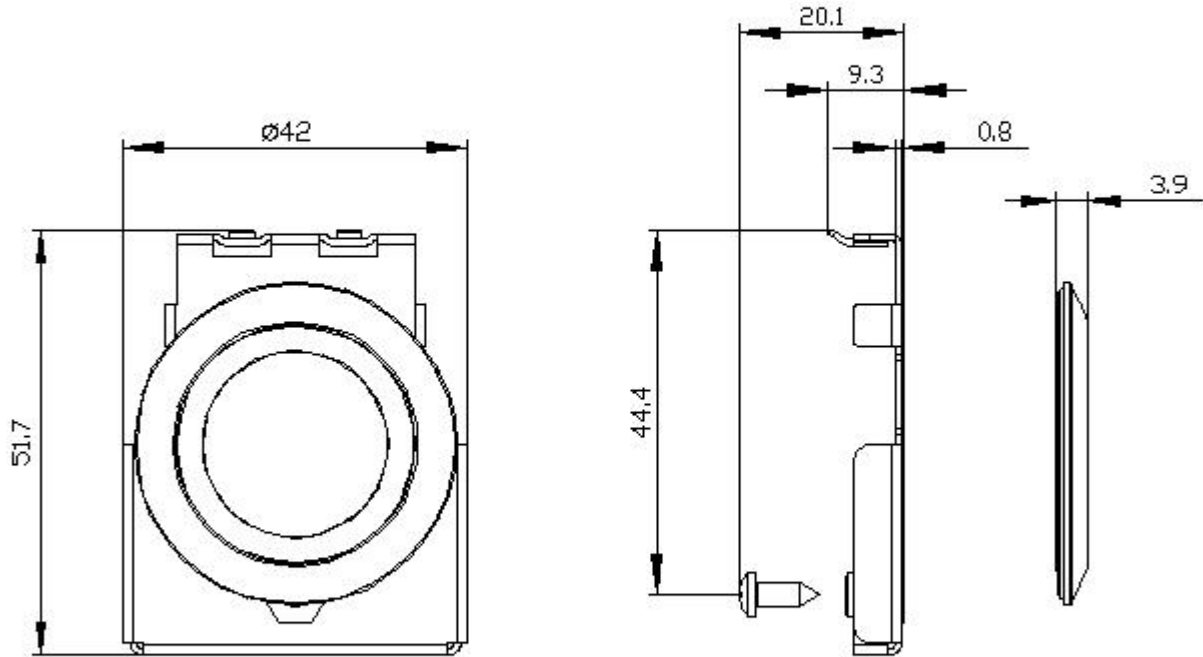
Industry Mall (Online ordering system)

<https://mall.industry.siemens.com/mall/en/en/Catalog/product?mlfb=3SU1960-0KB10-0AA0>

Cax online generator

<http://support.automation.siemens.com/WW/CAXorder/default.aspx?lang=en&mlfb=3SU1960-0KB10-0AA0>

Service&Support (Manuals, Certificates, Characteristics, FAQs,...)



last modified:

12/21/2020 