

Universal AC Current Monitor

SPECIFICATIONS

CONTROL VOLTAGE	24 or 120 VAC; 50/60 Hz, 24 VDC	
OUTPUT	DPDT, 10 Amp @ 120 VAC Resistive	
RESPONSE TIME	Operate	0.1 to 10 SEC Adjustable
	Release	0.3 to 30 SEC Adjustable
INDICATORS	Glows when relay is energized	
RESET	Automatic	
HYSTERESIS	5%	
TEMPERATURE RATING	Operate	32° to 131°F (0° to +55°C)
	Storage	-49° to 185°F (-45° to +85°C)
SOCKETS	RB-08 or PF083A	
ENCLOSURE	Lexan Dust Cover; 8-Pin plug-in	
WEIGHT	13 oz	

MODEL NUMBER

MODEL NUMBER	CMD			S	E	
CONTROL VOLTAGE						
24 Volts		24				
120 Volts		120				
TYPE OF CONTROL VOLTAGE						
AC			A			
DC			D			
CURRENT TRIP POINTS						
0.05 to 0.25 amp adj. max continuous						.25
0.2 to 1 amp adj. max continuous						1
1.0 to 5.0 amps adj. max continuous						5
2.0 to 10 amps adj. max continuous						10
4.0 to 20 amps adj. max continuous						20

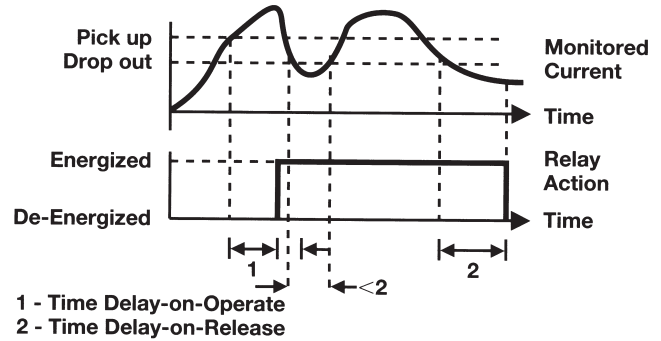
OPERATION

The CMD Series may be used as an **OVER CURRENT** Monitor or an **UNDER CURRENT** Monitor.

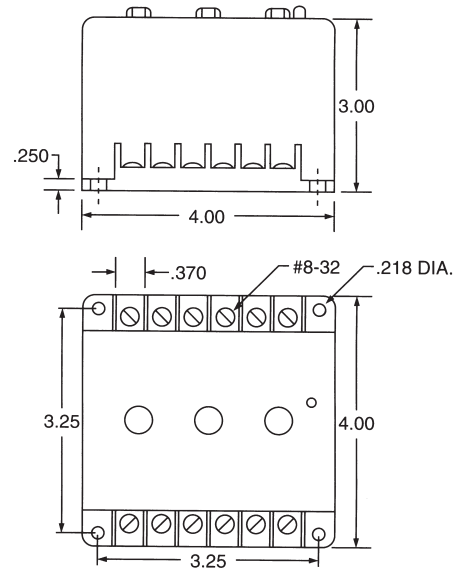
The CMD has adjustable Delay-on-Operate and adjustable Delay-on-Release time delays. When the current exceeds the preset current trip point for longer than the Delay-on-Operate time delay, the internal relay will energize (Pick-up). When the current drops below the preset current trip point for longer than the Delay-on-Release time delay, the internal relay will de-energize (Drop-out). When used as an over current monitor the Delay-on-Operate time delay is used to override inrush periods. When used as an under current monitor, the Delay-on-Release timer is used to override a temporary under current condition.

An External CT may be used to extend the range of the Current Monitor.

CMD



DIMENSIONS (INCHES)



WIRING

