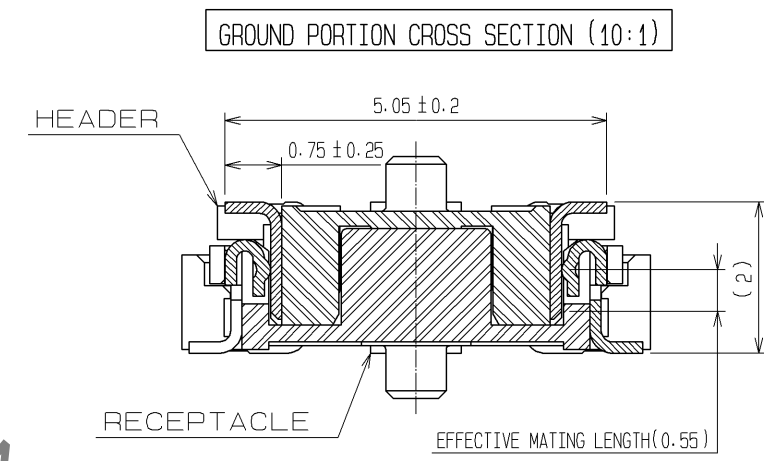
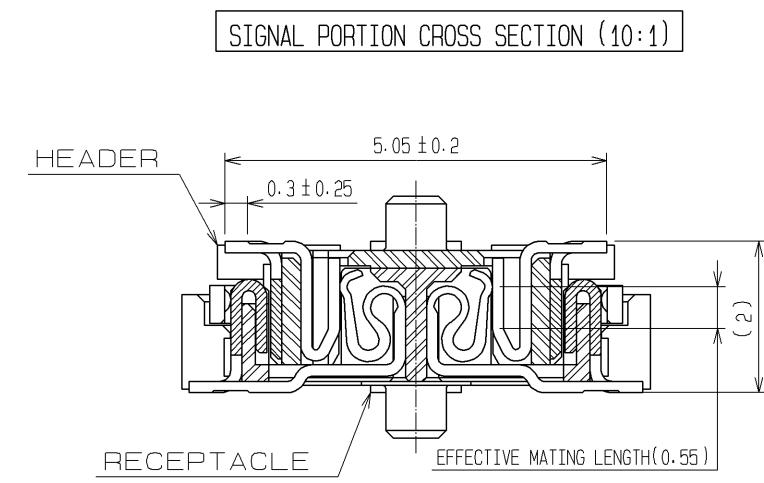
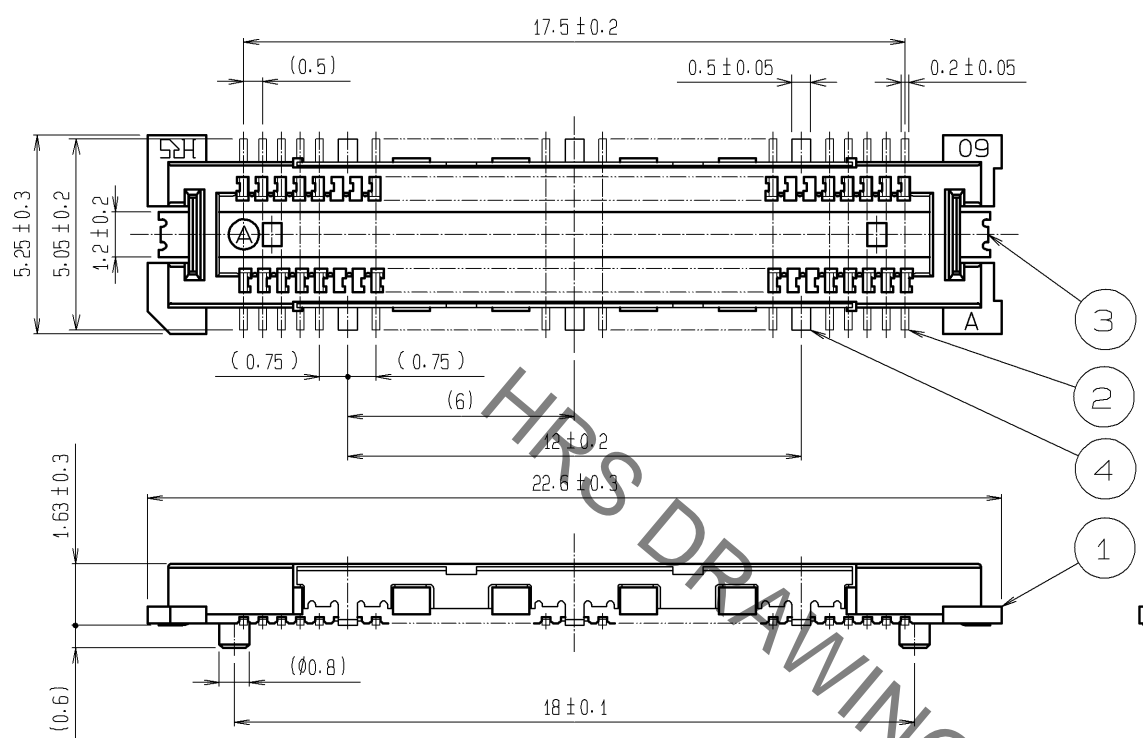
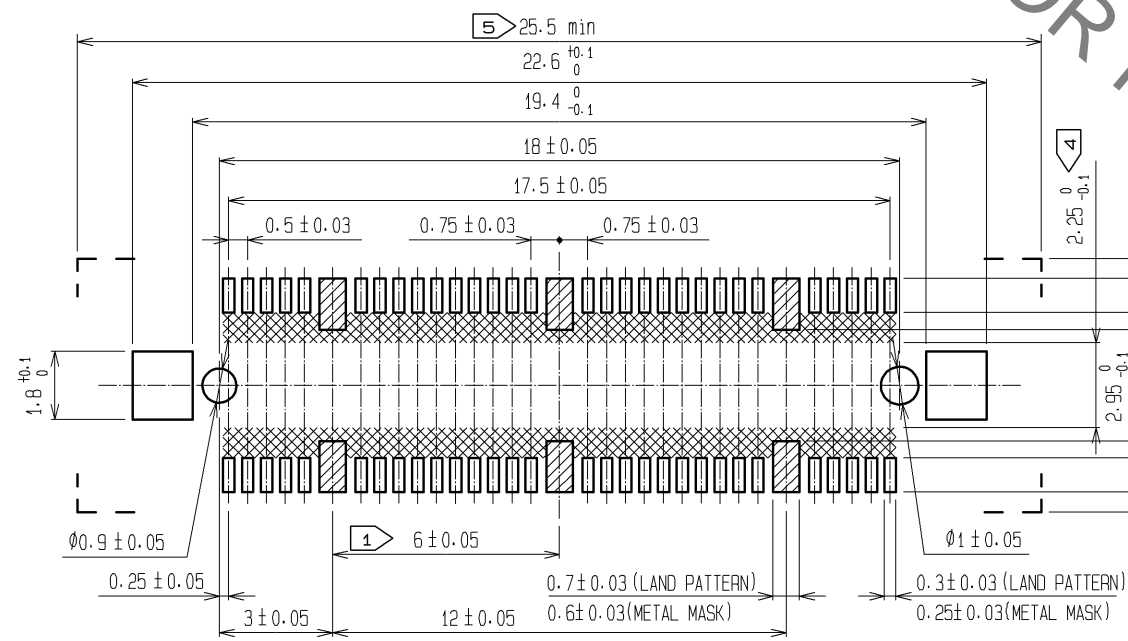


May.1.2023 Copyright 2023 HIROSE ELECTRIC CO., LTD. All Rights Reserved.
In case of consideration for using Automotive equipment / device which demand high reliability, kindly contact our sales window correspondents.



RECOMMENDED LAND PATTERN DIMENSION OF PCB
(RECOMMENDED METAL MASK THICKNESS: 0.15mm)



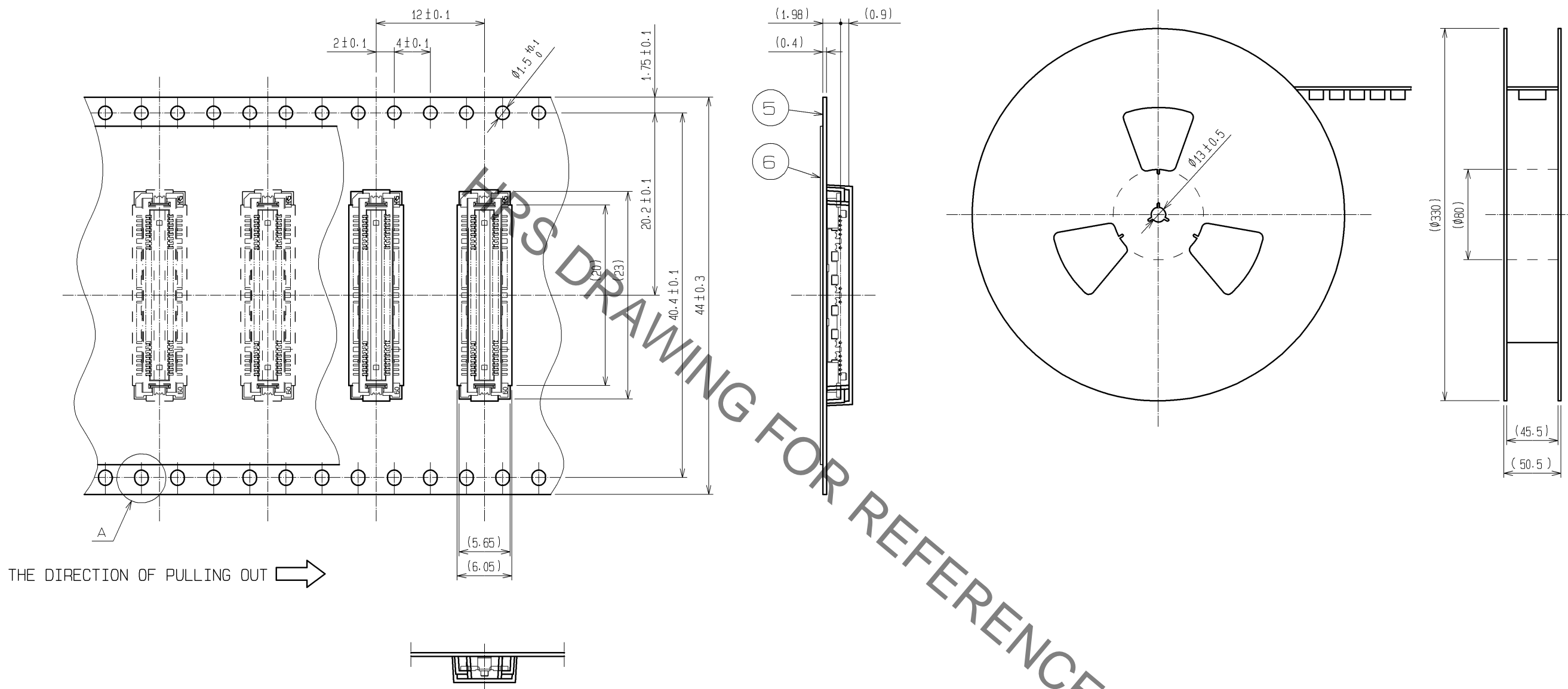
- NOTES
- ① 6 HATCHED PARTS: GROUND CIRCUIT.
 - ② SMT LEAD-COPLANARITY: 0.1 MAX.
 - ③ THIS PRODUCT HAS NO POLARITY TO PATTERN FOR MOUNTING.
 - ④ MAKE SURE WIDTH OF PATTERN IS WITHIN THAT OF LAND .OR LEAD MAY TOUCH PATTERN. (THIS APPLIES TO HATCHED AREA.)
 - ⑤ DO NOT MOUNT OTHER DEVICES ONTO [] AREA ,OR MATING PAIR CANNOT BE MATED.
 - ⑥ TO BE EMBOSSED CARRIER TAPED AS SPECIFIED IN SHEET 2.
 - ⑦ THE DIMENSIONS IN PARENTHESES ARE FOR REFERENCE.

3, 4	PHOSPHOR BRONZE	TIN PLATING			
		CONTACT AREA : GOLD 0.1μm min.			
2	COPPER ALLOY	LEAD AREA : GOLD FLASH			
		UNDER PLATING : NICKEL 1μm min.	6	PET	(TOP COVER TAPE)
1	LCP	BEIGE UL94V-0	5	PS	(EMBOSSED CARRIER TAPE)
NO.	MATERIAL	FINISH . REMARKS	NO.	MATERIAL	FINISH . REMARKS
UNITS mm		SCALE 5 : 1	COUNT △	DESCRIPTION OF REVISIONS	
DESIGNED		CHECKED		DATE	
APPROVED : HS. OKAWA		09.05.22		DRAWING NO. EDC3-152092-21	
CHECED : HT. YAMAGUCHI		09.05.22		PART NO. FX11LA-60P/6-SV(91)	
DESIGNED : YN. TAKANO		09.05.21		CODE NO. CL573-0002-7-91	
DRAWN : HK. SUNADORI		09.05.20		△ 1/2	

May.1.2023 Copyright 2023 HIROSE ELECTRIC CO., LTD. All Rights Reserved.
 In case of consideration for using Automotive equipment / device which demand high reliability, kindly contact our sales window correspondents.

DRAWING FOR PACKING(2:1)

REELED DIMENSION(Free)



- NOTES
- 1 REEL : 1000 CONNECTORS.
 - 2 MINIMUM 10 COMPARTMENTS FROM BOTH REEL ENDS REMAIN EMPTY.
 - 3 THIS PRODUCT HAS NO POLARITY TO TAPE AND REEL PACKAGING.
 - 4 THE DIMENSIONS IN PARENTHESES ARE FOR REFERENCE.

HRS	DRAWING NO.	EDC3-152092-21
	PART NO.	FX11LA-60P/6-SV(91)
	CODE NO.	CL573-0002-7-91
		\triangle 2/2