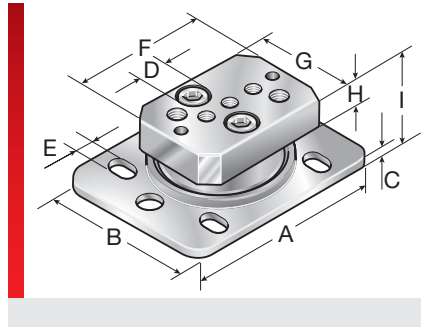


## Pivot bearing



R-DLM with TRO 70

### PRODUCT INFORMATION

The pivot bearing can be rotated in 360° and is on a ball bearing.

- R-DZM pivot bearings with adapter plates for mounting type SH system holders
- R-DLM individual pivot bearing for use with TRO 70 trumpet

### SPECIFICATIONS

Steel  
 Steel, powder coated

RoHS  
 Made in Germany

Type	Order No.	Colour	A mm	B mm	C mm	D mm	E mm	F	G	H	I	Pack qty.
R-DZM pivot bearing with adapter plate	83952212	Silver / Black	120.00	85.00	5.00	M10x1,5	9.00	80.00	45.00	20.00	37.00	1

Suitable for

Steel  
 Steel, powder coated

### APPROVALS AND OPERATING PERMITS

ROBI approval

### CONFORMITY

RoHS (EC Directive 202/95/EC)

### GENERAL INFORMATION

Made in Germany

All details given in our sales material prospectuses and catalogues as well as the information available online are based on our current knowledge of the products described.

The electronic data and files made available by Murrplastik, particularly CAD files are based on our current knowledge of the product described.

A legally binding assurance of certain properties or the suitability for a certain purpose can not be determined from this information.

All information with respect to the chemical and physical properties of Murrplastik products as well as application advice given verbally, in writing or by tests, is given to the best of our knowledge.

This does not free the purchaser of carrying out their own inspections and tests in order to determine the suitability of a product for a specific purpose.

Murrplastik accepts no responsibility for the available information being up-to-date, correct or complete. Neither do we accept responsibility for the quality of this information.

Murrplastik accepts no liability for damage caused as a result of using our products.

Murrplastik reserves the right to make technical changes and improvements through constant further development of products and services.

Our General Terms and Conditions apply.