

FEATURES

- Ultrawideband frequency range: 100 MHz to 44 GHz**
- Nonreflective design**
- Low insertion loss: 1.2 dB to 18 GHz, 1.7 dB to 26 GHz, 2.4 dB to 40 GHz, 3.8 dB to 44 GHz**
- High isolation: 55 dB to 18 GHz, 53 dB to 26 GHz, 50 dB to 40 GHz, 45 dB to 44 GHz**
- High input linearity: 27 dBm typical P1dB, 53 dBm typical IP3**
- High power handling: 24 dBm insertion loss path, 24 dBm isolation path**
- All off state control**
- No low frequency spurious signals**
- 0.1 dB RF settling time: 40 ns typical**
- 20-terminal, 3 mm × 3 mm LGA package**
- Pin compatible with [ADRF5027](#), low frequency cutoff version**

ENHANCED PRODUCT FEATURES

- Supports defense and aerospace applications (AQEC standard)**
- Military temperature range (–55°C to +105°C)**
- Controlled manufacturing baseline**
- 1 assembly/test site**
- 1 fabrication site**
- Product change notification**
- Qualification data available on request**

APPLICATIONS

- Industrial scanners**
- Test and instrumentation**
- Cellular infrastructure: 5G mmWave**
- Military radios, radars, electronic counter measures (ECMs)**
- Microwave radios and very small aperture terminals (VSATs)**

GENERAL DESCRIPTION

The ADRF5026-EP is a nonreflective, single-pole, double-throw (SPDT) RF switch manufactured in a silicon process.

The ADRF5026-EP operates from 100 MHz to 44 GHz with better than 3.8 dB of insertion loss and 45 dB of isolation. The ADRF5026-EP features an all off control, where both RF ports are in an isolation state. The ADRF5026-EP has a nonreflective design and both of the RF ports are internally terminated to 50 Ω.

The ADRF5026-EP requires a dual-supply voltage of +3.3 V and –3.3 V. The device employs CMOS and low voltage transistor transistor logic (LVTTTL)-compatible controls.

The ADRF5026-EP is pin compatible with the [ADRF5027](#) low frequency cutoff version, which operates from 9 kHz to 44 GHz.

FUNCTIONAL BLOCK DIAGRAM

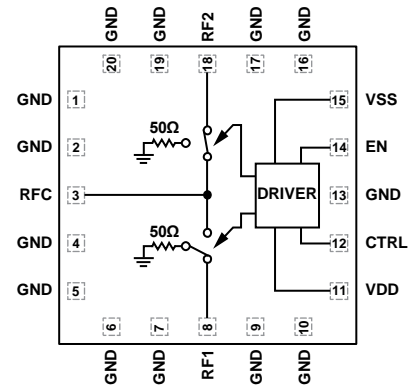


Figure 1.

2368B-001

The ADRF5026-EP RF ports are designed to match a characteristic impedance of 50 Ω. For ultrawideband products, impedance matching on the RF transmission lines can further optimize high frequency insertion loss and return loss characteristics. Refer to the [ADRF5026](#) data sheet for an example of a matched circuit that achieves a flat insertion loss response of 2.4 dB from 28 GHz to 43 GHz.

The ADRF5026-EP comes in a 20-terminal, 3 mm × 3 mm, RoHS compliant, land grid array (LGA) package and can operate from –55°C to +105°C.

Additional application and technical information can be found in the [ADRF5026](#) data sheet.

Rev. 0

[Document Feedback](#)

Information furnished by Analog Devices is believed to be accurate and reliable. However, no responsibility is assumed by Analog Devices for its use, nor for any infringements of patents or other rights of third parties that may result from its use. Specifications subject to change without notice. No license is granted by implication or otherwise under any patent or patent rights of Analog Devices. Trademarks and registered trademarks are the property of their respective owners.

TABLE OF CONTENTS

Features	1	Thermal Resistance	5
Enhanced Product Features	1	Power Derating Curves	5
Applications	1	ESD Caution	5
Functional Block Diagram	1	Pin Configuration and Function Descriptions	6
General Description	1	Interface Schematics	6
Revision History	2	Typical Performance Characteristics	7
Specifications	3	Outline Dimensions.....	8
Electrical Specifications.....	3	Ordering Guide	8
Absolute Maximum Ratings	5		

REVISION HISTORY

10/2020—Revision 0: Initial Version

SPECIFICATIONS

ELECTRICAL SPECIFICATIONS

VDD = 3.3 V, VSS = -3.3 V, CTRL pin voltage (V_{CTRL}) = EN pin voltage (V_{EN}) = 0 V or VDD, and T_{CASE} = 25°C in a 50 Ω system, unless otherwise noted.

Table 1.

Parameter	Symbol	Test Conditions/Comments	Min	Typ	Max	Unit	
FREQUENCY RANGE			100		44,000	MHz	
INSERTION LOSS	IL						
Between RFC and RF1/RF2		100 MHz to 18 GHz		1.2		dB	
		18 GHz to 26 GHz		1.7		dB	
		26 GHz to 35 GHz		2.2		dB	
		35 GHz to 40 GHz		2.4		dB	
		40 GHz to 44 GHz ¹		3.8		dB	
RETURN LOSS	RL						
RFC and RF1/RF2 (On)		100 MHz to 18 GHz		22		dB	
		18 GHz to 26 GHz		12		dB	
		26 GHz to 35 GHz		9		dB	
		35 GHz to 40 GHz		10		dB	
		40 GHz to 44 GHz ¹		7		dB	
RF1/RF2 (Off)		100 MHz to 18 GHz		23		dB	
		18 GHz to 26 GHz		23		dB	
		26 GHz to 35 GHz		21		dB	
		35 GHz to 40 GHz		13		dB	
		40 GHz to 44 GHz ¹		12		dB	
ISOLATION							
Between RFC and RF1/RF2		100 MHz to 18 GHz		55		dB	
		18 GHz to 26 GHz		53		dB	
		26 GHz to 35 GHz		53		dB	
		35 GHz to 40 GHz		50		dB	
		40 GHz to 44 GHz		45		dB	
Between RF1 and RF2		100 MHz to 18 GHz		63		dB	
		18 GHz to 26 GHz		60		dB	
		26 GHz to 35 GHz		60		dB	
		35 GHz to 40 GHz		63		dB	
		40 GHz to 44 GHz		55		dB	
SWITCHING CHARACTERISTICS		t_{RISE} , t_{FALL} t_{ON} , t_{OFF}	10% to 90% of RF output		3		ns
Rise and Fall Time			50% of triggered V_{CTRL} to 90% of RF output		14		ns
On and Off Time			50% of triggered V_{CTRL} to 0.1 dB of final RF output		40		ns
RF Settling Time	50% of triggered V_{CTRL} to 0.05 dB of final RF output			45		ns	
0.1 dB							
0.05 dB							
INPUT LINEARITY	P1dB IP3	100 MHz to 40 GHz		27		dBm	
1 dB Compression		Two-tone input power = 12 dBm each tone, Δf = 1 MHz		53		dBm	
Third-Order Intercept							
SUPPLY CURRENT	I_{DD} I_{SS}	VDD and VSS pins		2		μA	
Positive				100		μA	
Negative							

Parameter	Symbol	Test Conditions/Comments	Min	Typ	Max	Unit
DIGITAL CONTROL INPUTS						
CTRL and EN pins						
Voltage						
Low	V _{INL}		0		0.8	V
High	V _{INH}		1.2		3.3	V
Current						
Low and High Current	I _{INL} , I _{INH}			<1		μA
RECOMMENDED OPERATING CONDITONS						
Supply Voltage						
Positive	VDD		3.15		3.45	V
Negative	VSS		-3.45		-3.15	V
Digital Control Voltage	V _{CTRL} , V _{EN}		0		VDD	V
RF Input Power ²	P _{IN}	f = 100 MHz to 40 GHz, T _{CASE} = 85°C ³				
Insertion Loss Path		RF signal is applied to RFC or through connected RF1/RF2			24	dBm
Isolation Path		RF signal is applied to terminated RF1/RF2			24	dBm
Hot Switching		RF signal is present at RFC while switching between RF1 and RF2			24	dBm
Case Temperature	T _{CASE}		-55		+105	°C

¹ Impedance matching on RF transmission lines improves high frequency performance. Refer to the [ADRF5026](#) data sheet for more information.

² For power derating vs. frequency, see Figure 2 and Figure 3. This power derating is applicable for insertion loss path, isolation path, and hot switching power specifications.

³ For 105°C operation, the power handling degrades from the T_{CASE} = 85°C specification by 3 dB.

ABSOLUTE MAXIMUM RATINGS

For recommended operating conditions, see Table 1.

Table 2.

Parameter	Rating
Positive Supply Voltage	-0.3 V to +3.6 V
Negative Supply Voltage	-3.6 V to +0.3 V
Digital Control Inputs	
Voltage	-0.3 V to VDD + 0.3 V
Current	3 mA
RF Input Power ¹ (100 MHz to 40 GHz at T _{CASE} = 85°C ²)	
Insertion Loss Path	26 dBm
Isolation Path	25 dBm
Hot Switching	25 dBm
Temperature	
Junction, T _J	135°C
Storage Range	-65°C to +150°C
Reflow	260°C
Electrostatic Discharge (ESD) Sensitivity	
Human Body Model (HBM)	
RFC, RF1, RF2 Pins	500 V
Digital Pins	2000 V
Charged Device Model (CDM)	1250 V

¹ For power derating vs. frequency, see Figure 2 and Figure 3. This power derating is applicable for insertion loss path, isolation path, and hot switching power specifications.

² For 105°C operation, the power handling degrades from the T_{CASE} = 85°C specification by 3 dB.

Stresses at or above those listed under Absolute Maximum Ratings may cause permanent damage to the product. This is a stress rating only; functional operation of the product at these or any other conditions above those indicated in the operational section of this specification is not implied. Operation beyond the maximum operating conditions for extended periods may affect product reliability.

Only one absolute maximum rating can be applied at any one time.

THERMAL RESISTANCE

Thermal performance is directly linked to printed circuit board (PCB) design and operating environment. Careful attention to PCB thermal design is required.

θ_{JC} is the junction to case bottom (channel to package bottom) thermal resistance.

Table 3. Thermal Resistance

Package Type	θ _{JC}	Unit
CC-20-4		
Through Path	423	°C/W
Terminated Path	241	°C/W

POWER DERATING CURVES

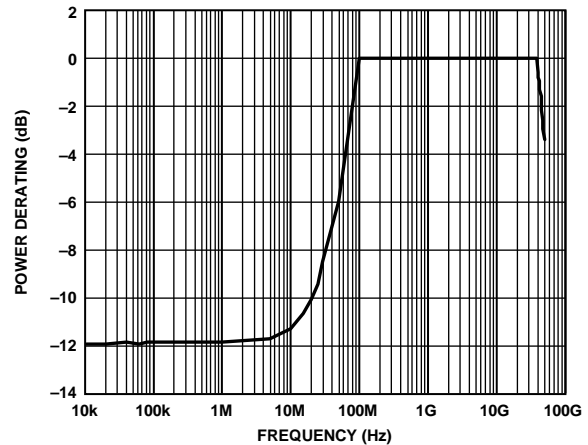


Figure 2. Power Derating vs. Frequency, Low Frequency Detail, T_{CASE} = 85°C

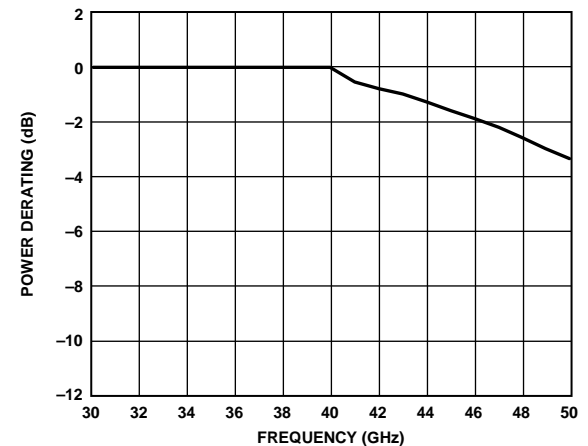


Figure 3. Power Derating vs. Frequency, High Frequency Detail, T_{CASE} = 85°C

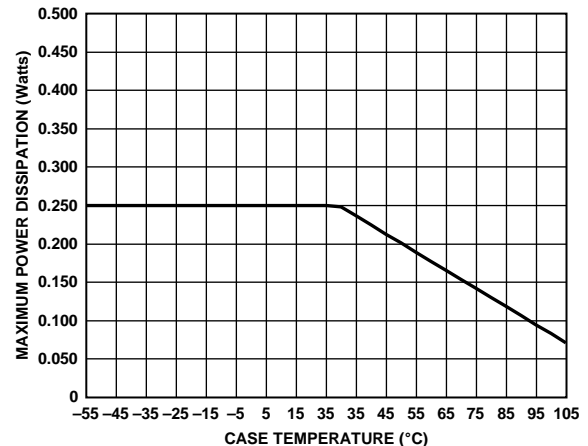


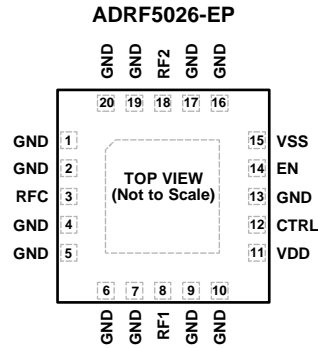
Figure 4. Maximum Power Dissipation vs. Case Temperature

ESD CAUTION



ESD (electrostatic discharge) sensitive device. Charged devices and circuit boards can discharge without detection. Although this product features patented or proprietary protection circuitry, damage may occur on devices subjected to high energy ESD. Therefore, proper ESD precautions should be taken to avoid performance degradation or loss of functionality.

PIN CONFIGURATION AND FUNCTION DESCRIPTIONS



NOTES
1. THE EXPOSED PAD MUST BE CONNECTED TO THE RF AND DC GROUND OF THE PCB.

23088-004

Figure 5. Pin Configuration

Table 4. Pin Function Descriptions

Pin No.	Mnemonic	Description
1, 2, 4, 5, 6, 7, 9, 10, 13, 16, 17, 19, 20	GND	Ground. These pins must be connected to the RF and dc ground of the PCB.
3	RFC	RF Common Port. This pin is dc-coupled to 0 V and ac matched to 50 Ω. No dc blocking capacitor is necessary when the RF line potential is equal to 0 V dc. See Figure 6 for the interface schematic.
8	RF1	RF1 Port. This pin is dc-coupled to 0 V and ac matched to 50 Ω. No dc blocking capacitor is necessary when the RF line potential is equal to 0 V dc. See Figure 6 for the interface schematic.
11	VDD	Positive Supply Voltage.
12	CTRL	Control Input Voltage. See Figure 7 for the interface schematic.
14	EN	Enable Input Voltage. See Figure 7 for the interface schematic.
15	VSS	Negative Supply Voltage.
18	RF2	RF2 Port. This pin is dc-coupled to 0 V and ac matched to 50 Ω. No dc blocking capacitor is necessary when the RF line potential is equal to 0 V dc. See Figure 6 for the interface schematic.
	EPAD	Exposed Pad. The exposed pad must be connected to the RF and dc ground of the PCB.

INTERFACE SCHEMATICS

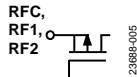


Figure 6. RFC, RF1, RF2 Interface Schematic

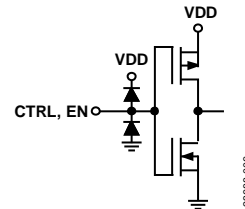


Figure 7. CTRL, EN Interface Schematic

TYPICAL PERFORMANCE CHARACTERISTICS

VDD = 3.3 V, VSS = -3.3 V, V_{CTRL}/V_{EN} = 0 V or VDD, and T_{CASE} = 25°C in a 50 Ω system, unless otherwise noted.

Insertion loss is measured on the probe matrix board using ground-signal-ground (GSG) probes close to the RFx pins. Signal coupling between the probes limits the isolation performance of the ADRF5026-EP. Isolation is measured on the [ADRF5026-EVALZ](#) evaluation board. See the [ADRF5026](#) data sheet for details on the [ADRF5026-EVALZ](#) evaluation board and probe matrix board.

See the [ADRF5026](#) data sheet for a full set of Typical Performance Characteristics plots.

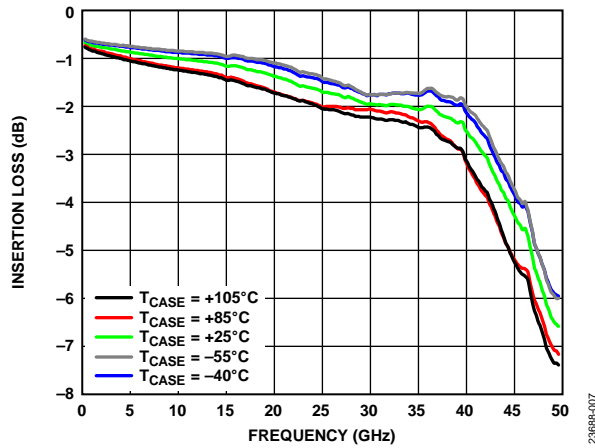


Figure 8. Insertion Loss vs. Frequency over Temperature

OUTLINE DIMENSIONS

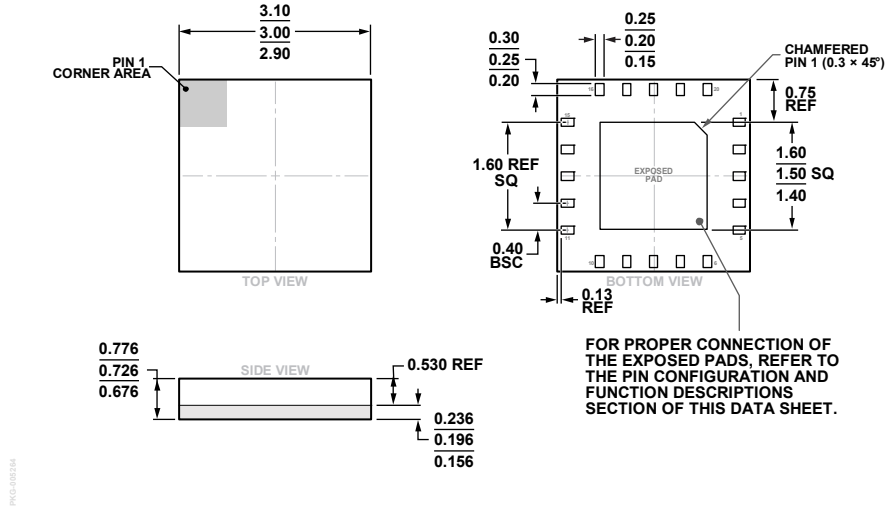


Figure 9. 20-Terminal Land Grid Array [LGA]
 3 mm × 3 mm Body and 0.726 mm Package Height
 (CC-20-4)
 Dimensions shown in millimeters

ORDERING GUIDE

Model ¹	Temperature Range	Package Description	Package Option	Marking Code
ADRF5026SCCZ-EP	-55°C to +105°C	20-Terminal Land Grid Array [LGA]	CC-20-4	6EP
ADRF5026SCCZ-EPR7	-55°C to +105°C	20-Terminal Land Grid Array [LGA]	CC-20-4	6EP

¹ Z = RoHS Compliant Part.