

NOTES:

1. MATERIAL:

HOUSING: LCP GLASS FILLED UL 94-V0, COLOUR BLACK,
 TERMINAL: COPPER ALLOY PLATED WITH:
 BASE FINISH: NICKEL
 CONTACT SURFACE FINISH:
 GOLD,
 OR
 GOLD FLASH OVER PALLADIUM NICKEL.
 EXCEEDS PRODUCT REQUIREMENTS BASED ON PS-85513-002

2. JACK FOR MATING WITH IEC 60603-7 AND TIA-1096-A PLUGS (MOLEX 90075 SERIES).

3. PRODUCT SPECIFICATION: PS-85513-002.

4. PACKAGING SPECIFICATION (SEE CHART SHEET2):

PK-85513-001 SHEET 3 (BLISTER ON REEL 13")

PK-85133-001 SHEET 1 (BLISTER ON REEL 15")

PK-85513-001 SHEET 2 (BLISTER ON REEL 22")

5. FLAT SURFACE ON BOTH SIDES FOR PICK AND PLACE PURPOSE

6. COPLANARITY OF LEADS AND TABS: 0.10 MAX

7. SEE RECOMMENDED PCB LAYOUT ON SHEET 2

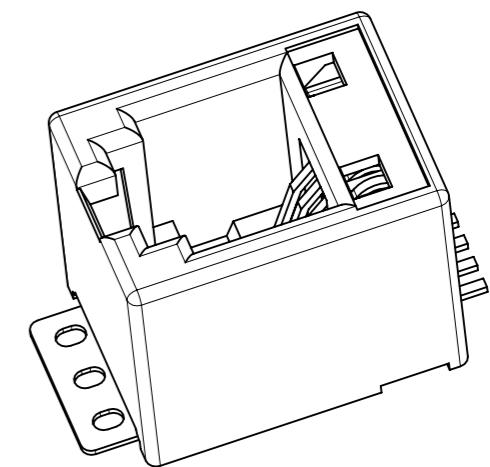
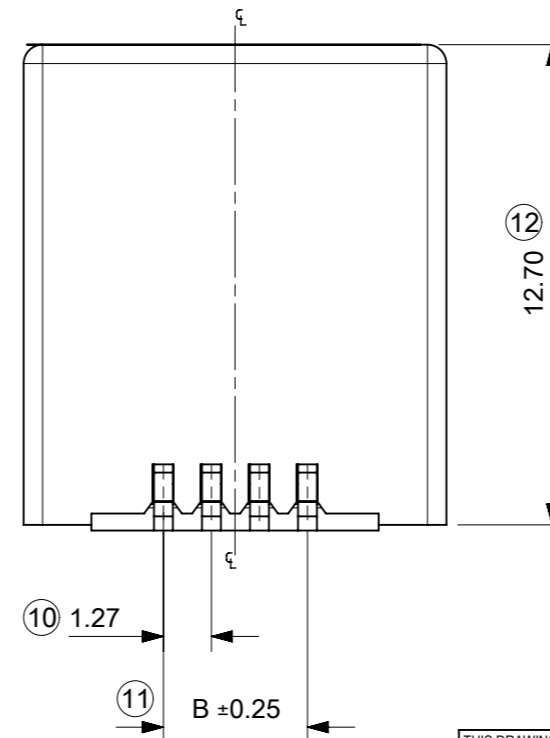
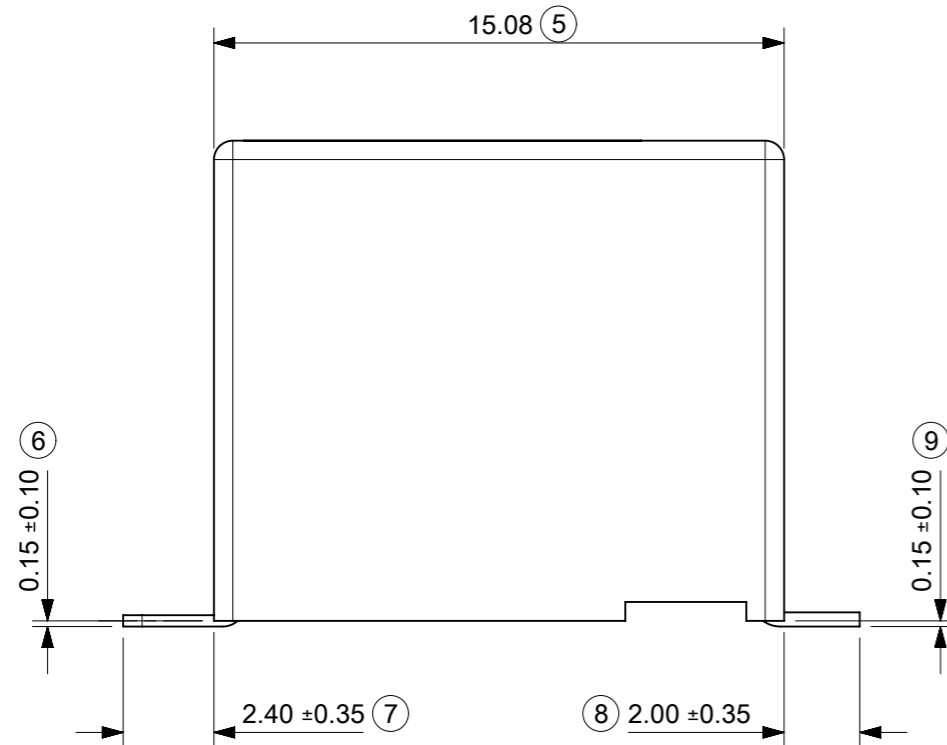
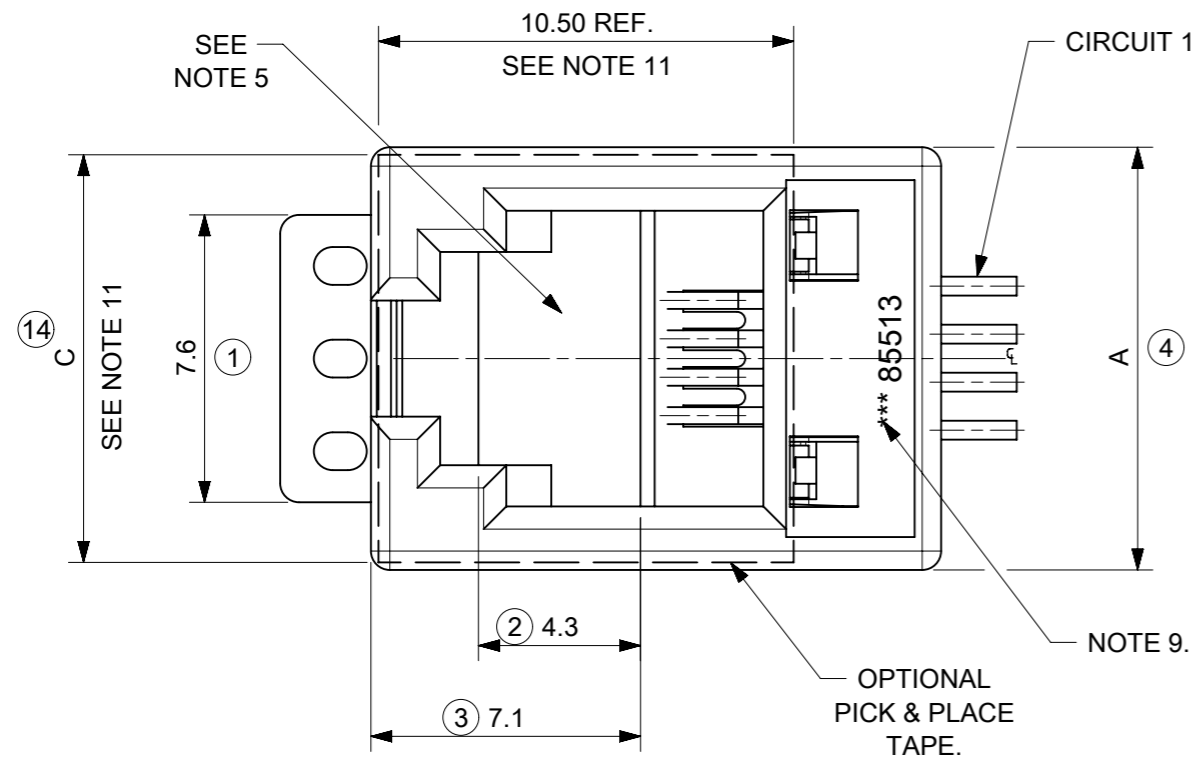
8. FOR DRAWING PURPOSE, ONLY 4/4 VERSION SHOWN.

9. MANUFACTURING I.D CAN BE EITHER MXF, MG, MXI OR MXCH.

10. APPLICATION SPEC AS-85513-001

11. OPTIONAL PICK & PLACE TAPE

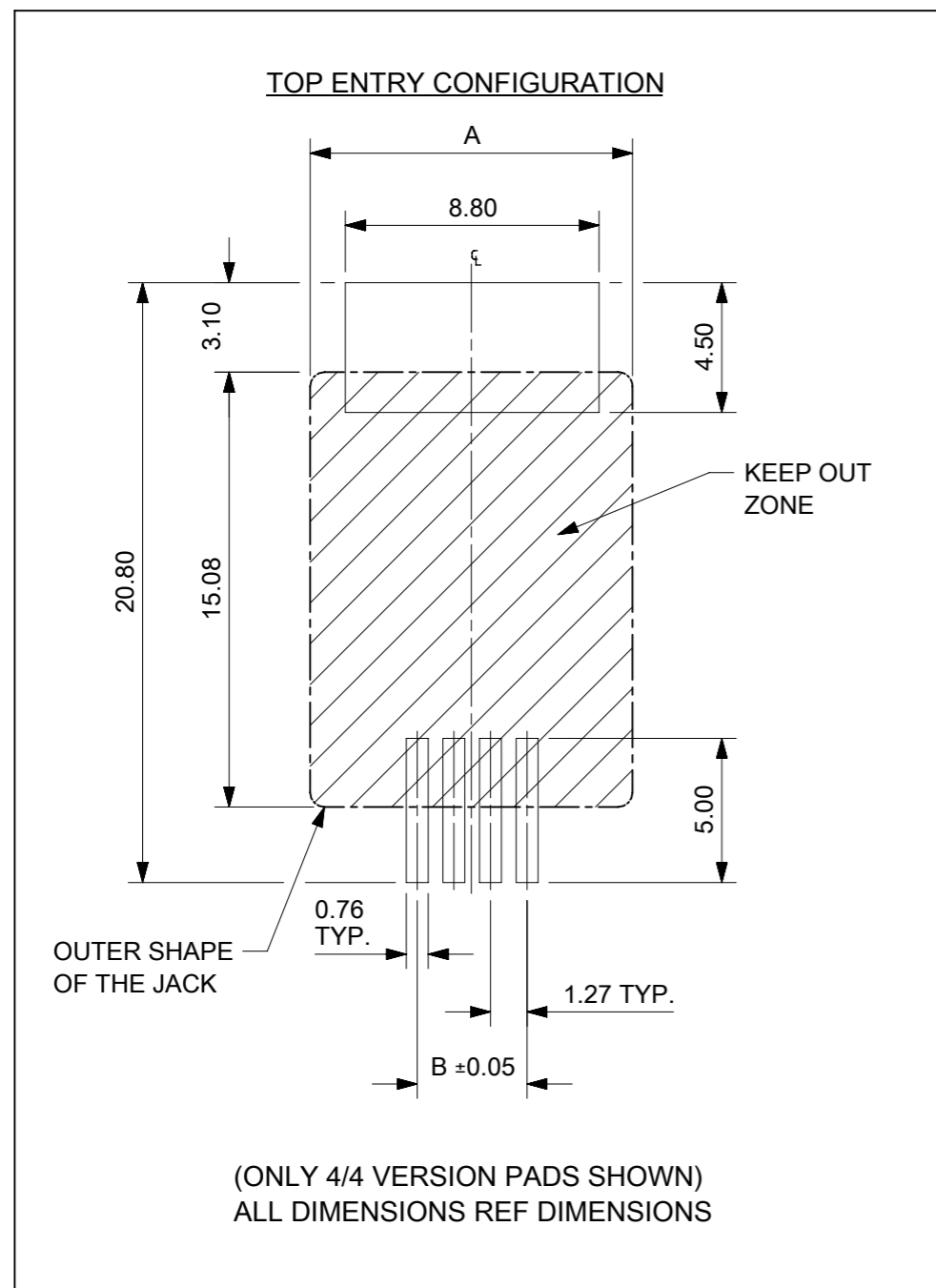
LAST INSPECTION NO.: 14



ISOMETRIC VIEW
(NOT SCALED)

THIS DRAWING CONTAINS INFORMATION THAT IS PROPRIETARY TO MOLEX ELECTRONIC TECHNOLOGIES, LLC AND SHOULD NOT BE USED WITHOUT WRITTEN PERMISSION		CURRENT REV DESC: REMASTERED USING 3D MODELS			
DIMENSION UNITS	SCALE	EC NO: 686842			
mm	5:1	DRWN: AKUMAR19 2021/08/11		PRODUCT CUSTOMER DRAWING	
GENERAL TOLERANCES (UNLESS SPECIFIED)		CHK'D: KLANG 2022/01/17		DOCUMENT NUMBER	
ANGULAR TOL ± 2.0°		APPR: KLANG 2022/01/17		SD-85513-010	
4 PLACES ±		INITIAL REVISION:		DOC TYPE	
3 PLACES ±		DRWN: DBYRNES 2006/08/21		PSD	
2 PLACES ± 0.15		APPR: EOMAHONY 2006/09/07		DOC PART	
1 PLACE ± 0.25		MATERIAL NUMBER		001	
0 PLACES ±		CUSTOMER		H3	
DRAFT WHERE APPLICABLE MUST REMAIN WITHIN DIMENSIONS		THIRD ANGLE PROJECTION	DRAWING	SERIES	SHEET NUMBER
			A3-SIZE	85513	1 OF 2

RECOMMENDED PCB LAYOUTS
(SEE FROM COMPONENT SIDE)



PART NO.	PICK & PLACE TAPE	HOUSING SIZE	LOADED CKTS	TOOLED	A	B	C	PACKAGING	PACKAGING SPEC.
85513-5013	NO	8	8	YES	15.24	8.89	14.40 +2 -4	BLISTER ON REEL 13"	PK-85513-001 SHEET 3
85513-5113	YES			YES				BLISTER ON REEL 15"	PK-85513-001 SHEET 1
85513-5001	NO			YES				BLISTER ON REEL 22"	PK-85513-001 SHEET 2
85513-5009	NO	6	6	YES	13.21	6.35	12.40 +2 -4	BLISTER ON REEL 13"	PK-85513-001 SHEET 3
85513-5109	YES			YES				BLISTER ON REEL 15"	PK-85513-001 SHEET 1
85513-5014	NO			YES				BLISTER ON REEL 22"	PK-85513-001 SHEET 2
85513-5114	YES	6	6	YES	13.21	6.35	12.40 +2 -4	BLISTER ON REEL 13"	PK-85513-001 SHEET 3
85513-5002	NO			YES				BLISTER ON REEL 15"	PK-85513-001 SHEET 1
85513-5010	NO			YES				BLISTER ON REEL 22"	PK-85513-001 SHEET 2
85513-5015	NO	6	4	YES	13.21	3.81	12.40 +2 -4	BLISTER ON REEL 13"	PK-85513-001 SHEET 3
85513-5115	YES			YES				BLISTER ON REEL 13"	PK-85513-001 SHEET 3
85513-5016	NO	4	4	YES	11.18	3.81	10.40 +4 -2	BLISTER ON REEL 13"	PK-85513-001 SHEET 3
85513-5116	YES			YES				BLISTER ON REEL 15"	PK-85513-001 SHEET 1
85513-5004	NO			YES				BLISTER ON REEL 22"	PK-85513-001 SHEET 2
85513-5012	NO			YES					

THIS DRAWING CONTAINS INFORMATION THAT IS PROPRIETARY TO MOLEX ELECTRONIC TECHNOLOGIES, LLC AND SHOULD NOT BE USED WITHOUT WRITTEN PERMISSION									
DIMENSION UNITS	SCALE	CURRENT REV DESC: REMASTERED USING 3D MODELS							
mm	1:1	<p>LOW PROFILE TOP ENTRY TRUE SMT JACK WITH P&P SURFACE(SHORT VERSION)</p> <p>PRODUCT CUSTOMER DRAWING</p>							
GENERAL TOLERANCES (UNLESS SPECIFIED)									
ANGULAR TOL	± 2.0°	EC NO: 686842 DRWN: AKUMAR19 2021/08/11 CHK'D: KLANG 2022/01/17 APPR: KLANG 2022/01/17							
4 PLACES	±	INITIAL REVISION:							
3 PLACES	±	DRWN: DBYRNES 2006/08/21							
2 PLACES	± 0.15	APPR: EOMAHONY 2006/09/07							
1 PLACE	± 0.25	DOCUMENT NUMBER							
0 PLACES	±	SD-85513-010							
DRAFT WHERE APPLICABLE MUST REMAIN WITHIN DIMENSIONS		THIRD ANGLE PROJECTION	DRAWING	SERIES	MATERIAL NUMBER	CUSTOMER	DOC TYPE	DOC PART	REVISION
			A3-SIZE	85513	SEE CHART	GENERAL MARKET	PSD	001	H3
									SHEET NUMBER
									2 OF 2