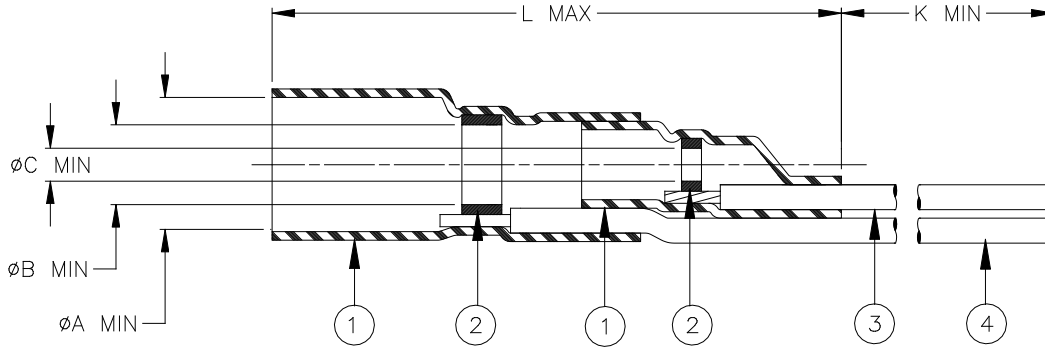


CUSTOMER DRAWING



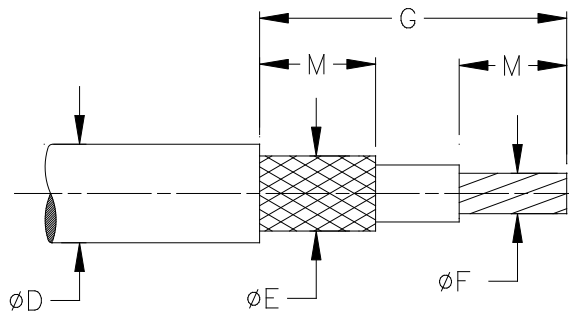
Product Name	Product Dimensions					Cable Dimensions				
	øA min	øB min	øC min	L max	K min	øD max	øE min	øF min	G ±0.5 [±.02]	M ±0.5 [±.02]
B-044-14	2.20 [.087]	1.70 [.067]	0.90 [.035]	24.00 [.945]	150.00 [5.906]	2.10 [.083]	1.30 [.051]	0.30 [.012]	19.0 [.75]	6.0 [.24]

MATERIALS

- INSULATION SLEEVE: Heat-shrinkable, transparent blue, radiation cross-linked modified polyvinylidene fluoride.
- SOLDER PREFORMS WITH FLUX:
SOLDER: TYPE Sn63 per ANSI-J-STD-006.
FLUX: TYPE ROL0 per ANSI-J-STD-004.
- CONDUCTOR LEAD: Raychem 55A0111-24 in accordance with MIL-W-22759/32 AWG24 stranded tin plated copper.
Color: white
- GROUND LEAD: Raychem 55A0111-24 in accordance with MIL-W-22759/32 AWG24 stranded tin plated copper.
Color: blue

APPLICATION

- This part is designed to provide an environment protected shield termination on cables, rated for 125°C minimum, meeting the dimensional criteria listed, having tin or silverplated shields.
- Temperature range: -55°C to +150°C.
- Install using TE Connectivity-approved convection or infrared heating tools in accordance with Raychem Installation Procedure RPIP-500-03.



NOTE: For best results, prepare the cable as illustrated above.

TE Connectivity, TE connectivity (logo), Raychem, and SolderSleeve are trademarks

		Raychem Devices	TITLE : COAXIAL SOLDERSLLEEVE DEVICE WITH PRE-INSTALLED STRANDED WIRES			
UNLESS OTHERWISE SPECIFIED DIMENSIONS ARE IN MILLIMETERS. INCHES DIMENSIONS ARE BETWEEN [.xxx] BRACKETS.			DOCUMENT NO.: B-044-14			
TOLERANCES: 0.00 N/A 0.0 N/A 0 N/A	ANGLES: N/A ROUGHNESS IN MICRON	TE Connectivity reserves the right to amend this drawing at any time. Users should evaluate the suitability of the product for their application.	Revision: B2		Issue Date: March 2020	
DRAWN BY: T. NGUYEN	CAGE CODE: 06090	CAD NAME: B-044-14.doc	DATE: June 12, 2015	ECO: ECO-20- 003568	SIZE: A	SHEET: 1 of 1