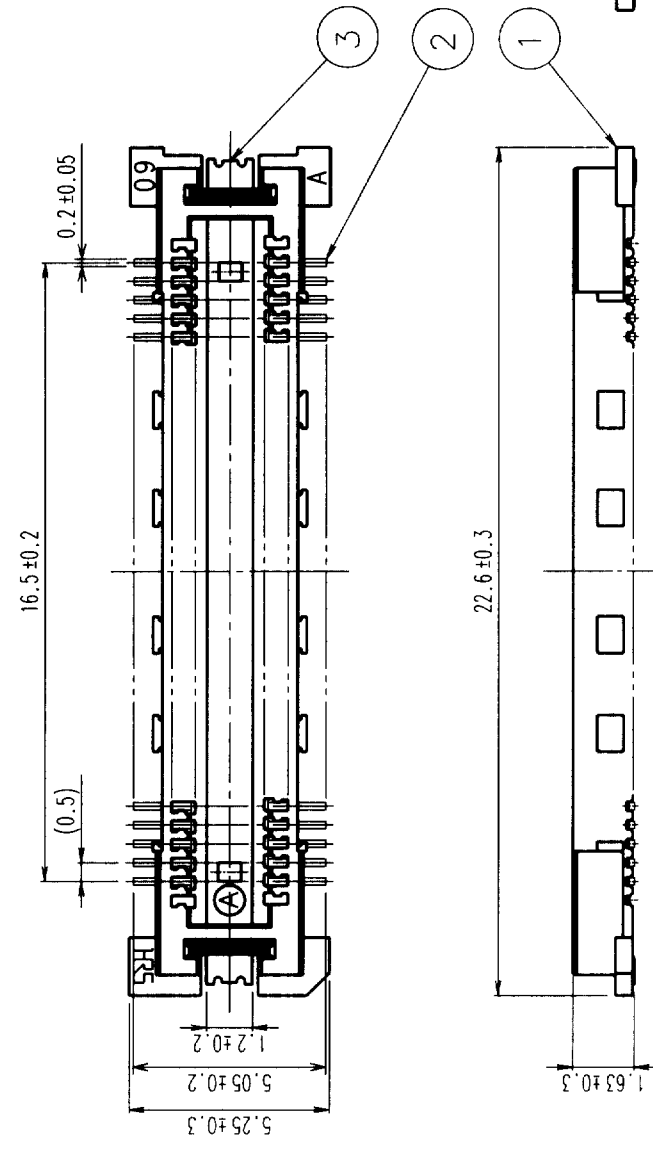
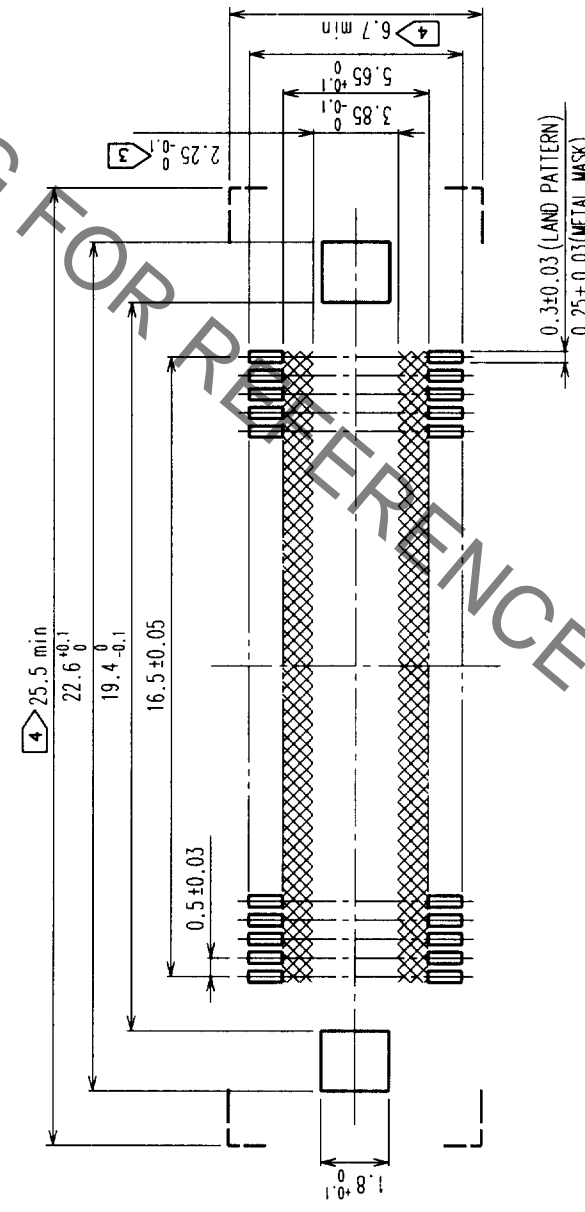


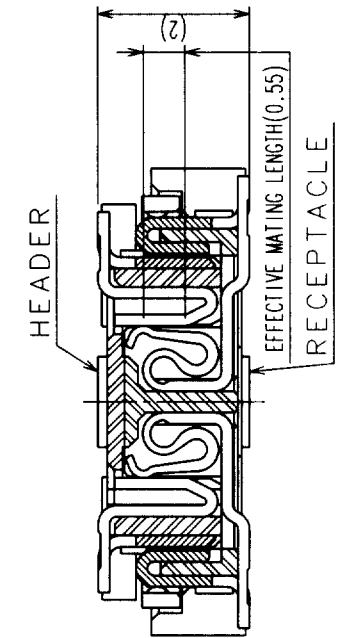
COUNT	DESCRIPTION OF REVISIONS	BY	CHKD	DATE	COUNT	DESCRIPTION OF REVISIONS	BY	CHKD	DATE
△					△				
△					△				
△					△				



RECOMMENDED LAND PATTERN DIMENSION OF PCB



SIGNAL PORTION CROSS SECTION (10:1)

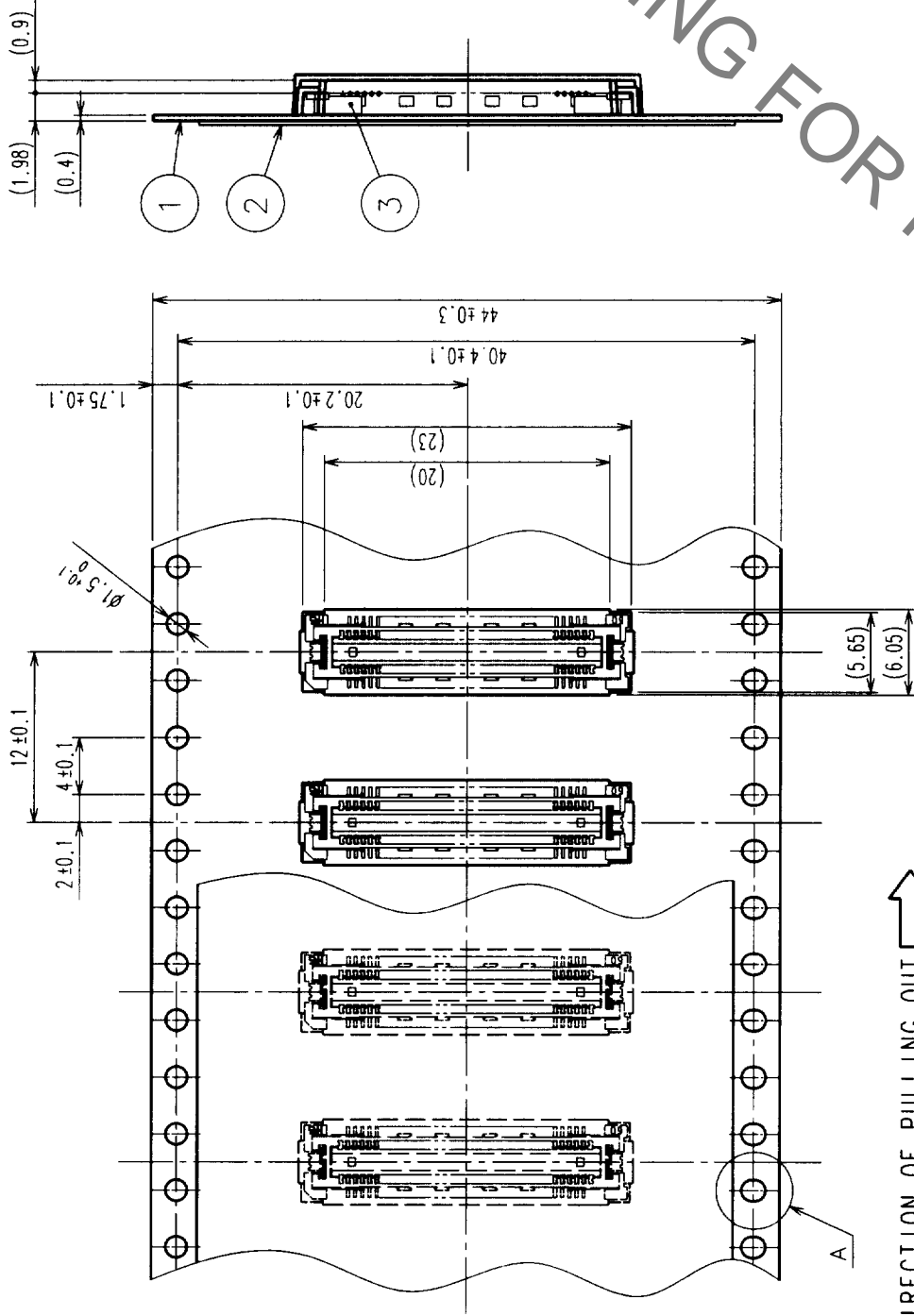


- NOTES
- SMT LEAD-COPLANARITY: 0.1 MAX.
 - THIS PRODUCT HAS NO POLARITY TO PATTERN FOR MOUNTING.
 - MAKE SURE WIDTH OF PATTERN IS WITHIN THAT OF LAND, OR LEAD MAY TOUCH PATTERN. (THIS APPLIES TO HATCHED AREA.)
 - DO NOT MOUNT OTHER DEVICES ONTO [] AREA, OR MATING PAIR CANNOT BE MATED.
 - TO BE EMBOSSED CARRIER TAPED AS SPECIFIED IN SHEET 2.

2	COPPER ALLOY	CONTACT AREA: GOLD (0.1μm) OVER NICKEL
1	LCP	LEAD: GOLD FLASH OVER NICKEL
NO.	MATERIAL	FINISH, REMARKS
3	PHOSPHOR BRONZE	TIN PLATED
CODE NO. (OLD)	CL	
DRAWN	DESIGNED	CHECKED
APPROVED	APPROVED	RELEASED
PART NO.		
DRAWING NO.	FX11LB-68P-SV (21)	
SCALE	EDC3-152104-01	
UNITS	CL573-0052-5-21	
	HIROSE ELECTRIC CO., LTD.	

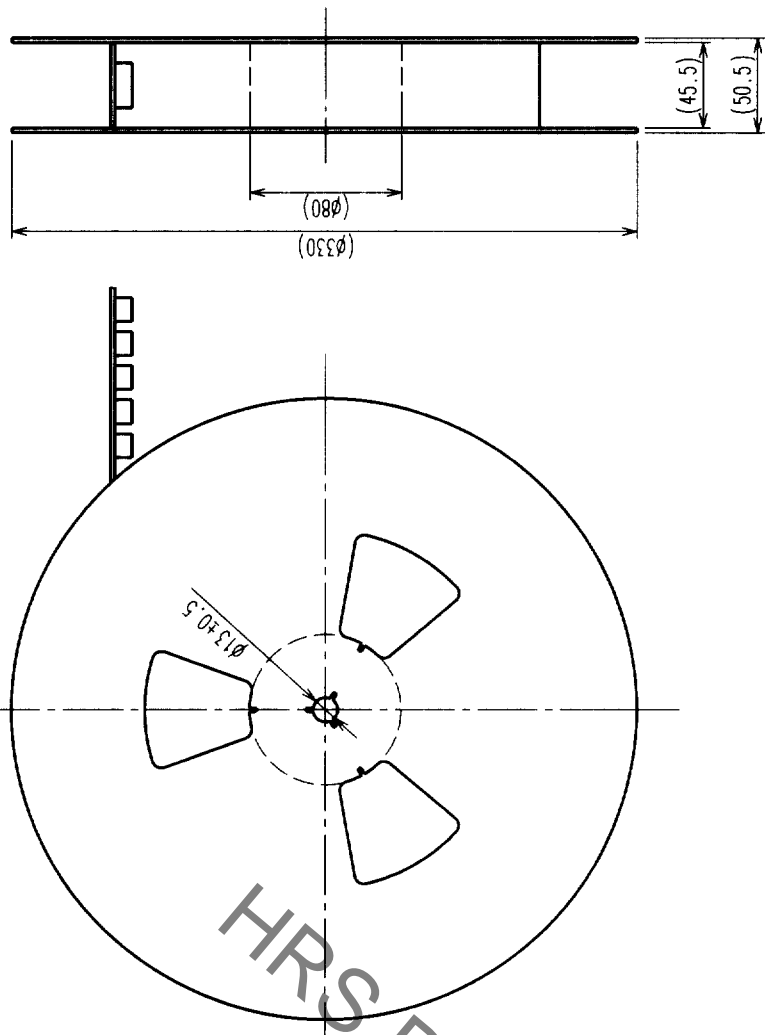
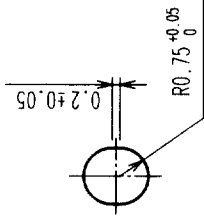
TO	
PCK	

REELED DIMENSION (Free)



THE DIRECTION OF PULLING OUT →

A (5:1)



HRS DRAWING FOR REFERENCE

- NOTES
- 1 REEL: 1000 CONNECTORS.
 - 2 MINIMUM 10 COMPARTMENTS FROM BOTH REEL ENDS REMAIN EMPTY.
 - 3 THIS PRODUCT HAS NO POLARITY TO TAPE AND REEL PACKAGING.

COUNT	DESCRIPTION OF REVISIONS	BY	CHKD	DATE	COUNT	DESCRIPTION OF REVISIONS	BY	CHKD	DATE
△					△				
△					△				
△					△				

2		TOP COVER TAPE		3		(CONNECTOR)	
1		EMBOSSED CARRIER TAPE		NO.		MATERIAL	
NO.		MATERIAL		FINISH, REMARKS		FINISH, REMARKS	
CODE NO. (OLD)		DRAWN		DESIGNED		CHECKED	
CL		DRAWING FOR PACKING		M. Sakai		Y. Yamamura	
DRAWING NO.		PART NO.		APPROVED		RELEASED	
EDC3-152104-01		FX11LB-68P-SV(21)		Y. Yamamura			
SCALE		UNITS		DATE		DATE	
2 : 1		mm		99.10.26		99.10.26	
UNITS		CODE NO.		PART NO.		CODE NO.	
		HIROSE ELECTRIC CO., LTD		CL573-0052-5-21		2	

TO	
PCK	