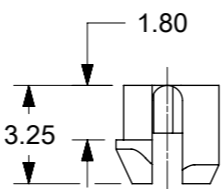
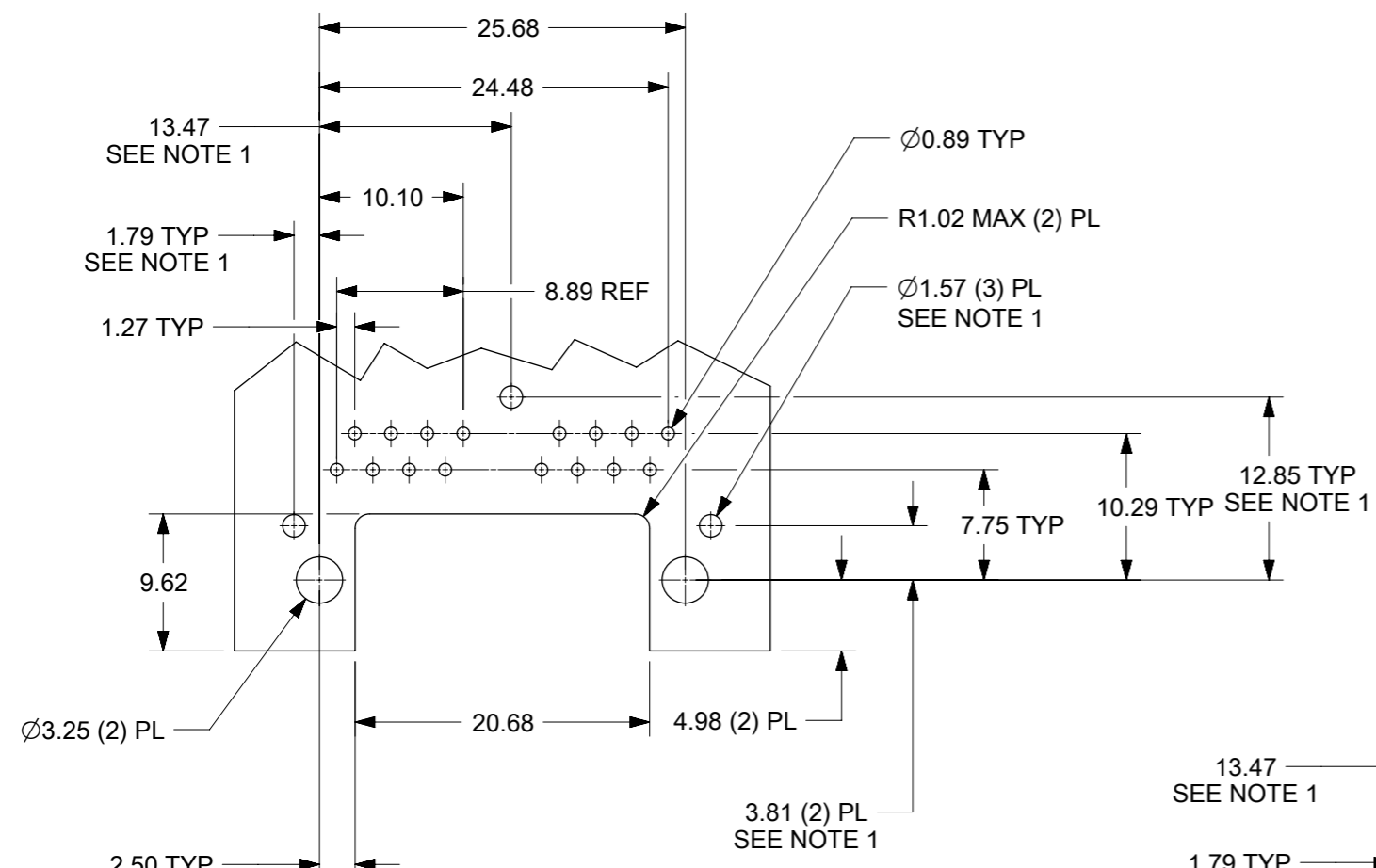


- NOTES:
- MATERIAL:
HOUSING: NYLON(PA), GLASS FILLED, UL94V-0, COLOR: BLACK
TERMINALS: PHOSPHOR BRONZE
SHIELD: BRASS, 0.18 THICK
 - FINISH:
TERMINALS:
SELECT GOLD IN CONTACT AREA: 1.27 MICROMETERS MIN.,
SELECT MATTE TIN IN PC TAIL AREA: 2.54 MICROMETERS MIN.,
WITH OVERALL NICKEL UNDERPLATE: 1.27 MICROMETERS MIN.
SHIELD:
2.54 MICROMETERS NICKEL OVER 1.27 MICROMETERS
COPPER UNDERPLATE; PCB GROUND TABS DIPPED IN TIN.
 - PRODUCT SPECIFICATION: PS-44560-003.
 - PACKAGING SPECIFICATION:
2 PORT: CONNECTOR PACKAGED IN TRAYS PER MOLEX PACKAGING SPECIFICATION
PK-44560-004
4 PORT: CONNECTOR PACKAGED IN TRAYS PER MOLEX PACKAGING SPECIFICATION
PK-44560-005
 - CONFORMS TO FCC REGULATION PART 68.5 FOR MODULAR JACKS.
 - ENHANCED GROUND TABS SHIELD (OPTION -B-) IS SHOWN IN THIS DRAWING. (SEE CHART)
 - SEE SHEET (2) OF (2) FOR RECOMMENDED PANEL OPENING AND PCB LAYOUT.
 - CAT 5e PERFORMANCE IS NOT SPECIFIED FOR THIS MODULAR JACK BECAUSE OF THE EVEN TERMINAL TAILS.
 - THIS PART CONFORMS TO CLASS B REQUIREMENTS OF COSMETIC SPECIFICATION PS-45499-002 WITH THE EXCEPTION OF THE SURFACE INDICATED, WHICH IS A CLASS C SURFACE.
 - THIS PRODUCT IS COMPLIANT TO RoHS DIRECTIVE 2002/95/EC AND ELV ANNEX II OF DIRECTIVE 2000/53/EC.

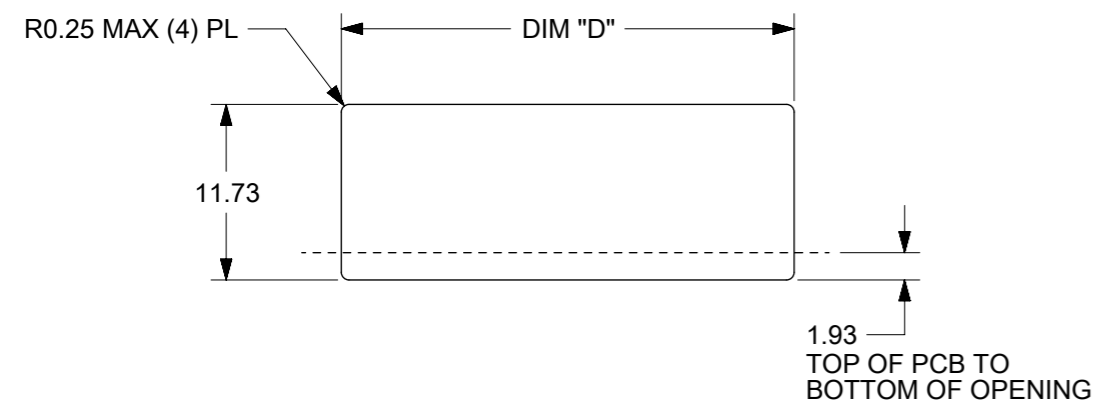


ASSEMBLY MATERIAL NUMBER	SHIELDING OPTION	NUMBER OF REAR GROUND TABS	NUMBER OF PORTS	DIM "A"	DIM "B"
445600112	B	1	2	29.44	25.68

FUNCTIONAL SYMBOLS						THIS DRAWING CONTAINS INFORMATION THAT IS PROPRIETARY TO MOLEX ELECTRONIC TECHNOLOGIES, LLC AND SHOULD NOT BE USED WITHOUT WRITTEN PERMISSION					
DIMENSION UNITS		SCALE		CURRENT REV DESC: MIGRATED TO NX							
mm		2:1		<p>molex</p> <p>COMPACT GANGED MODJACK EVEN TAILS</p> <p>PRODUCT CUSTOMER DRAWING</p>							
GENERAL TOLERANCES (UNLESS SPECIFIED)											
ANGULAR TOL ± 0.5°											
4 PLACES ±											
3 PLACES ±											
DIVISIONAL SYMBOLS						EC NO: 709327		2018/02/15		2022/07/12	
2 PLACES ± 0.3						DRWN: CCV		2012/08/14		2022/07/12	
1 PLACE ±						CHK'D: KLANG		2012/08/14		2022/07/12	
0 PLACES ±						APPR: KLANG		2012/08/14		2022/07/12	
DRAFT WHERE APPLICABLE MUST REMAIN WITHIN DIMENSIONS						THIRD ANGLE PROJECTION		DRAWING		SERIES	
						A3-SIZE		44560		MATERIAL NUMBER	
						SEE CHART		LUCENT		CUSTOMER	
										DOCUMENT NUMBER	
										RSD-44560-001	
										DOC TYPE	
										PSD	
										DOC PART	
										001	
										REVISION	
										A1	
										SHEET NUMBER	
										1 OF 2	

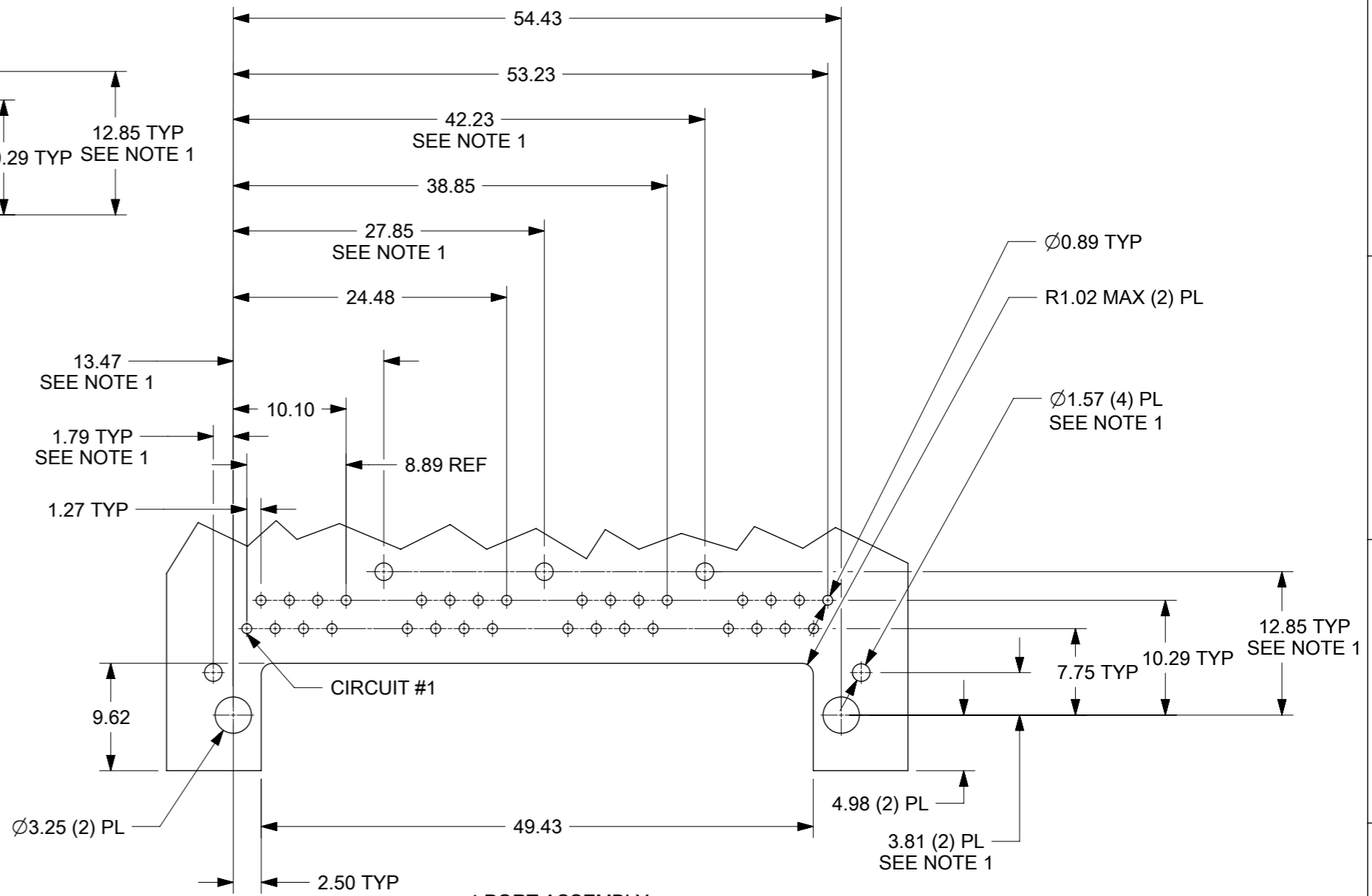


2 PORT ASSEMBLY
PCB LAYOUT : COMPONENT SIDE
RECOMMENDED PCB THICKNESS: 1.57
TOLERANCE ±0.076 UNLESS OTHERWISE SPECIFIED

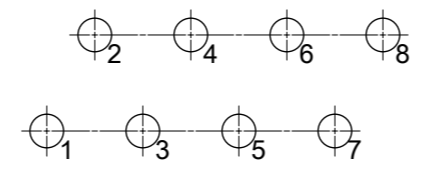


NUMBER OF PORTS	DIM "D"
2	30.20
4	58.95

RECOMMENDED
PANEL OPENING
SHIELDING OPTIONS
A AND B



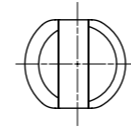
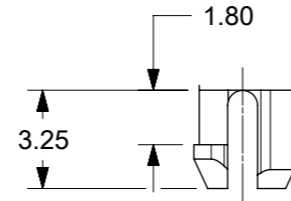
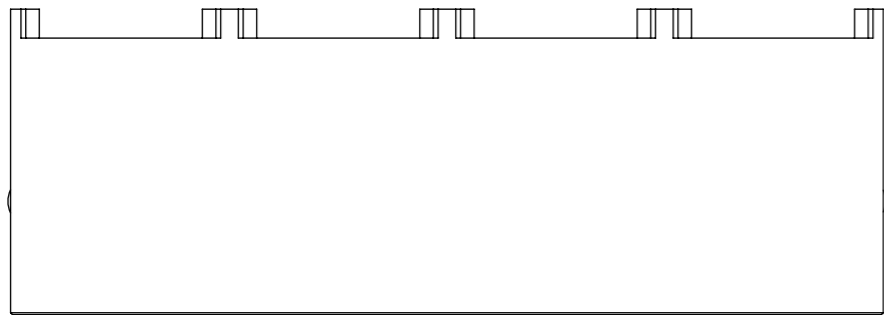
4 PORT ASSEMBLY
PCB LAYOUT : COMPONENT SIDE
RECOMMENDED PCB THICKNESS: 1.57
TOLERANCE ± 0.076 UNLESS OTHERWISE SPECIFIED



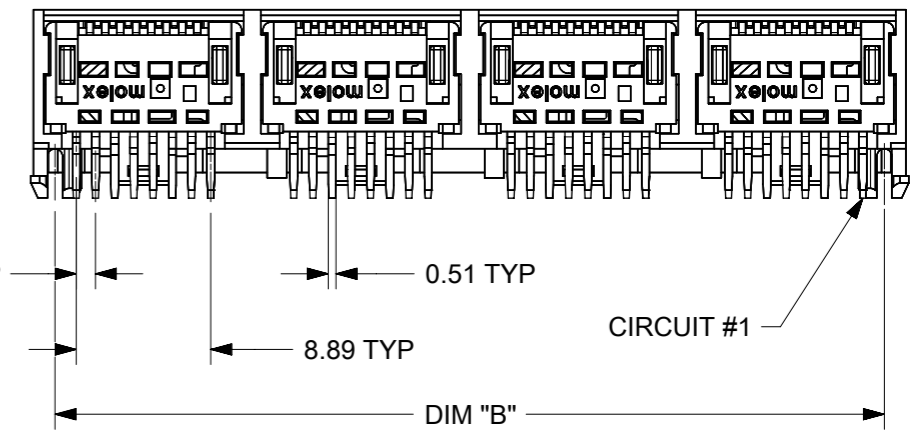
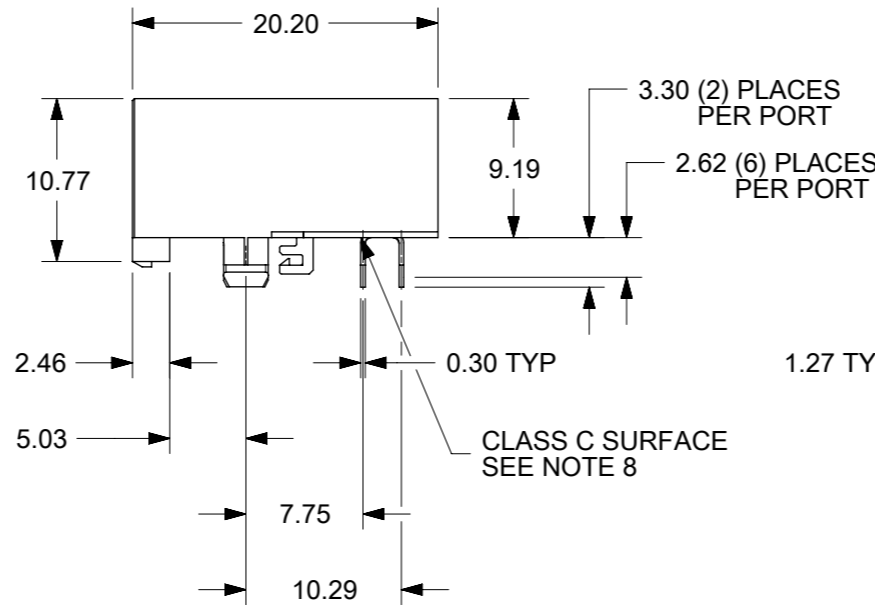
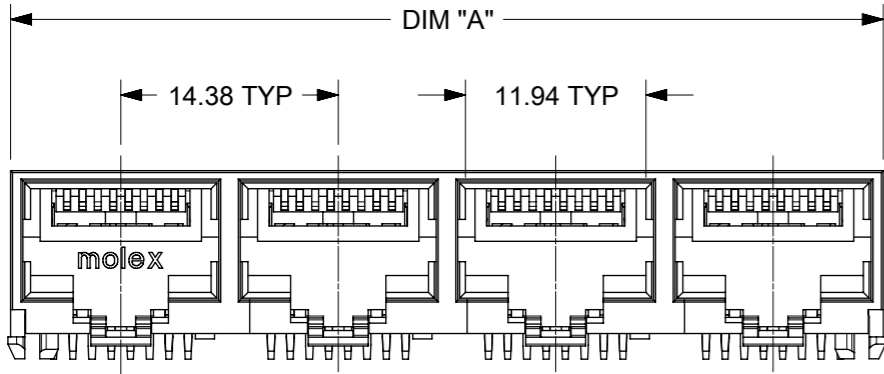
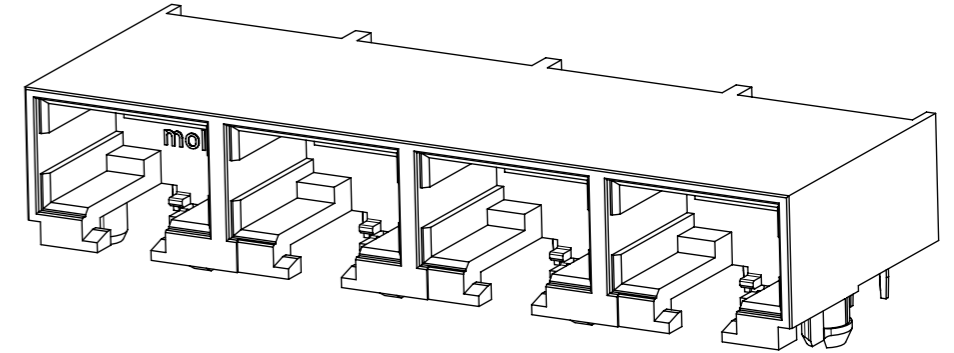
TYPICAL PC TERMINAL HOLE LAYOUT
SCALE 5:1

NOTES:
1. DIMENSIONS REFER TO ASSEMBLIES WITH SHIELDING OPTION

FUNCTIONAL SYMBOLS	THIS DRAWING CONTAINS INFORMATION THAT IS PROPRIETARY TO MOLEX ELECTRONIC TECHNOLOGIES, LLC AND SHOULD NOT BE USED WITHOUT WRITTEN PERMISSION		CURRENT REV DESC: MIGRATED TO NX		molex
	▽A = 0	mm	SCALE	2:1	
▽E = 0	GENERAL TOLERANCES (UNLESS SPECIFIED)				COMPACT GANGED MODJACK EVEN TAILS
▽P = 0	ANGULAR TOL ± 0.5°				
DIVISIONAL SYMBOLS	4 PLACES ±	EC NO: 709327		2018/02/15	PRODUCT CUSTOMER DRAWING
	3 PLACES ±	DRWN: CCV		2022/07/12	
	2 PLACES ±	CHK'D: KLANG		2022/07/12	
	1 PLACE ±	APPR: KLANG			
	0 PLACES ±	INITIAL REVISION:			
DRAFT WHERE APPLICABLE MUST REMAIN WITHIN DIMENSIONS		THIRD ANGLE PROJECTION	DRAWING	SERIES	DOCUMENT NUMBER
			A3-SIZE	44560	RSD-44560-001
					DOC TYPE
					PSD
					DOC PART
					001
					REVISION
					A1
					MATERIAL NUMBER
					SEE CHART
					CUSTOMER
					LUCENT
					SHEET NUMBER
					2 OF 2



PEG DETAIL
SCALE 4:1

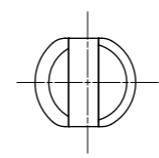
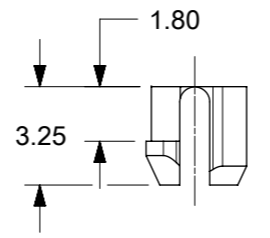
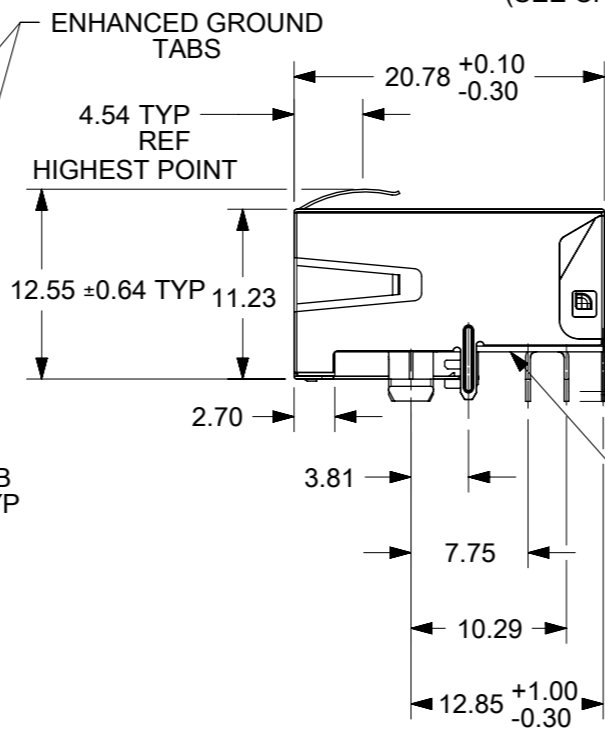
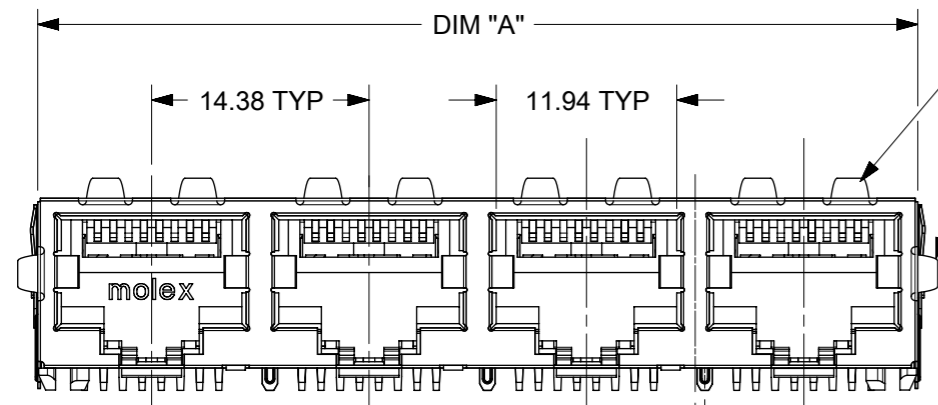
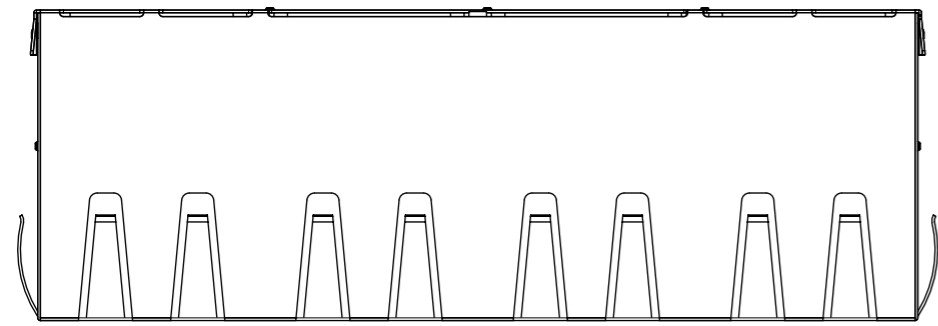


NOTES:

- MATERIAL:
HOUSING: NYLON(PA), GLASS FILLED, UL94V-0, COLOR: BLACK
TERMINALS: PHOSPHOR BRONZE
- FINISH:
TERMINALS:
SELECT GOLD IN CONTACT AREA: 1.27 MICROMETERS MIN.,
SELECT MATTE TIN IN PC TAIL AREA: 2.54 MICROMETERS MIN.,
WITH OVERALL NICKEL UNDERPLATE: 1.27 MICROMETERS MIN.
- PRODUCT SPECIFICATION AND PROCESSING PARAMETERS: PS-44560-003.
- PACKAGING SPECIFICATION:
2 PORT: CONNECTOR PACKAGED IN TRAYS PER MOLEX PACKAGING SPECIFICATION PK-44560-004
4 PORT: CONNECTOR PACKAGED IN TRAYS PER MOLEX PACKAGING SPECIFICATION PK-44560-005
- CONFORMS TO FCC REGULATION PART 68.5 FOR MODULAR JACKS.
- SEE SHEET (4) OF (4) FOR RECOMMENDED PANEL OPENING AND PCB LAYOUT.
- TERMINAL LENGTHS MAY BE DIFFERENT FROM TERMINAL TO TERMINAL.
- THIS PART CONFORMS TO CLASS B REQUIREMENTS OF COSMETIC SPECIFICATION PS-45499-002 WITH THE EXCEPTION OF THE SURFACE INDICATED, WHICH IS A CLASS C SURFACE.
- THIS PRODUCT IS COMPLIANT TO RoHS DIRECTIVE 2002/95/EC AND ELV ANNEX II OF DIRECTIVE 2000/53/EC.

ASSEMBLY MATERIAL NUMBER	NUMBER OF PORTS	DIM "A"	DIM "B"
445600001	2	28.96	25.68
445600003	4	57.71	54.43

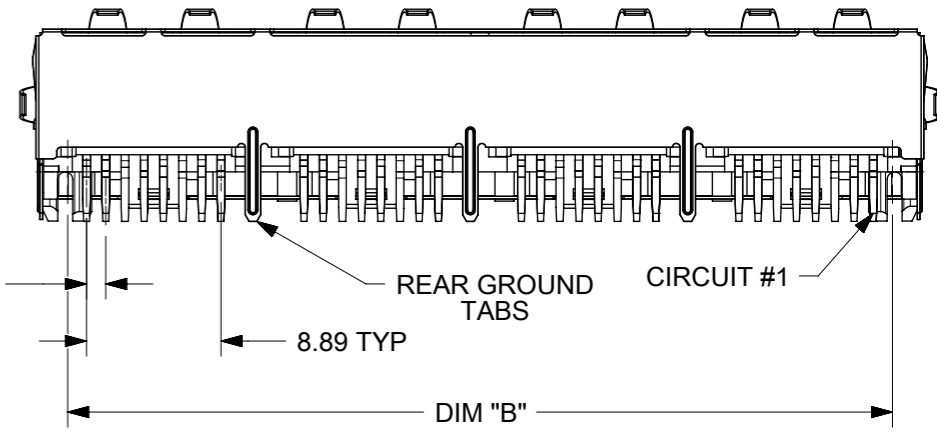
FUNCTIONAL SYMBOLS ▽A = 0 ▽E = 0 ▽F = 0	THIS DRAWING CONTAINS INFORMATION THAT IS PROPRIETARY TO MOLEX ELECTRONIC TECHNOLOGIES, LLC AND SHOULD NOT BE USED WITHOUT WRITTEN PERMISSION	CURRENT REV DESC: MIGRATED TO NX					
	DIMENSION UNITS: mm	SCALE: 2:1	GENERAL TOLERANCES (UNLESS SPECIFIED)				
DIVISIONAL SYMBOLS	ANGULAR TOL ± 0.5°	4 PLACES ±	EC NO: 709327	2018/02/10		PRODUCT CUSTOMER DRAWING	
	3 PLACES ±	2 PLACES ± 0.3	DRWN: CCV	2022/07/12			
	2 PLACES ±	1 PLACE ±	CHK'D: KLANG	2022/07/12		DOCUMENT NUMBER: SD-44560-001 DOC TYPE: PSD DOC PART: 001 REVISION: G6	
	1 PLACE ±	0 PLACES ±	APPR: KLANG	2022/07/12			
	DRAFT WHERE APPLICABLE MUST REMAIN WITHIN DIMENSIONS		INITIAL REVISION:		0001/03/28		MATERIAL NUMBER: SEE CHART
THIRD ANGLE PROJECTION		DRAWING: A3-SIZE		SERIES: 44560		CUSTOMER: GENERAL MARKET	
SHEET NUMBER: 1 OF 4		DATE: 2021/05/01		DATE: 2021/05/01		DATE: 2021/05/01	



PEG DETAIL SCALE 4:1

SHIELDING OPTION -A- STANDARD SHIELD (SEE CHART)

SHIELDING OPTION -B- ENHANCED GROUND TABS (SEE CHART)



- NOTES:**
- MATERIAL:**
HOUSING: NYLON(PA), GLASS FILLED, UL94V-0, COLOR: BLACK
TERMINALS: PHOSPHOR BRONZE
SHIELD: BRASS, 0.18 THICK
 - FINISH:**
TERMINALS:
SELECT GOLD IN CONTACT AREA: 1.27 MICROMETERS MIN.,
SELECT MATTE TIN IN PC TAIL AREA: 2.54 MICROMETERS MIN.,
WITH OVERALL NICKEL UNDERPLATE: 1.27 MICROMETERS MIN.
SHIELD:
2.54 MICROMETERS NICKEL OVER 1.27 MICROMETERS
COPPER UNDERPLATE; PCB GROUND TABS DIPPED IN TIN.
 - PRODUCT SPECIFICATION AND PROCESSING PARAMETERS: PS-44560-003.**
 - PACKAGING SPECIFICATION:**
2 PORT: CONNECTOR PACKAGED IN TRAYS PER MOLEX PACKAGING SPECIFICATION
PK-44560-004
4 PORT: CONNECTOR PACKAGED IN TRAYS PER MOLEX PACKAGING SPECIFICATION
PK-44560-005
 - CONFORMS TO FCC REGULATION PART 68.5 FOR MODULAR JACKS.
 - ENHANCED GROUND TABS SHIELD (OPTION -B-) IS SHOWN IN THIS DRAWING. (SEE CHART)
 - SEE SHEET (4) OF (4) FOR RECOMMENDED PANEL OPENING AND PCB LAYOUT.
 - TERMINAL LENGTHS MAY BE DIFFERENT FROM TERMINAL TO TERMINAL.
 - THIS PART CONFORMS TO CLASS B REQUIREMENTS OF COSMETIC SPECIFICATION PS-45499-002 WITH THE EXCEPTION OF THE SURFACE INDICATED, WHICH IS A CLASS C SURFACE.
 - THIS PRODUCT IS COMPLIANT TO RoHS DIRECTIVE 2002/95/EC AND ELV ANNEX II OF DIRECTIVE 2000/53/EC.

ASSEMBLY MATERIAL NUMBER	SHIELDING OPTION	NUMBER OF REAR GROUND TABS	NUMBER OF PORTS	DIM "A"	DIM "B"
445600002	A	1	2	29.44	25.68
445600004	A	3	4	58.19	54.43
445600012	B	1	2	29.44	25.68
445600014	B	3	4	58.19	54.43

THIS DRAWING CONTAINS INFORMATION THAT IS PROPRIETARY TO MOLEX ELECTRONIC TECHNOLOGIES, LLC AND SHOULD NOT BE USED WITHOUT WRITTEN PERMISSION

FUNCTIONAL SYMBOLS: $\nabla/A = 0$, $\nabla/E = 0$, $\nabla/E = 0$

DIVISIONAL SYMBOLS: 4 PLACES ±, 3 PLACES ±, 2 PLACES ± 0.3, 1 PLACE ±, 0 PLACES ±

THIS DRAWING CONTAINS INFORMATION THAT IS PROPRIETARY TO MOLEX ELECTRONIC TECHNOLOGIES, LLC AND SHOULD NOT BE USED WITHOUT WRITTEN PERMISSION

CURRENT REV DESC: MIGRATED TO NX

EC NO: 709327
DRWN: CCV
CHK'D: KLANG
APPR: KLANG

2018/02/10
2022/07/12
2022/07/12

INITIAL REVISION:
DRWN: MKAMAR
APPR: MKAMAR

0001/03/28
0001/03/28

DOCUMENT NUMBER: SD-44560-001
DOC TYPE: PSD
DOC PART: 001
REVISION: G6

THIRD ANGLE PROJECTION

DRAFT WHERE APPLICABLE MUST REMAIN WITHIN DIMENSIONS

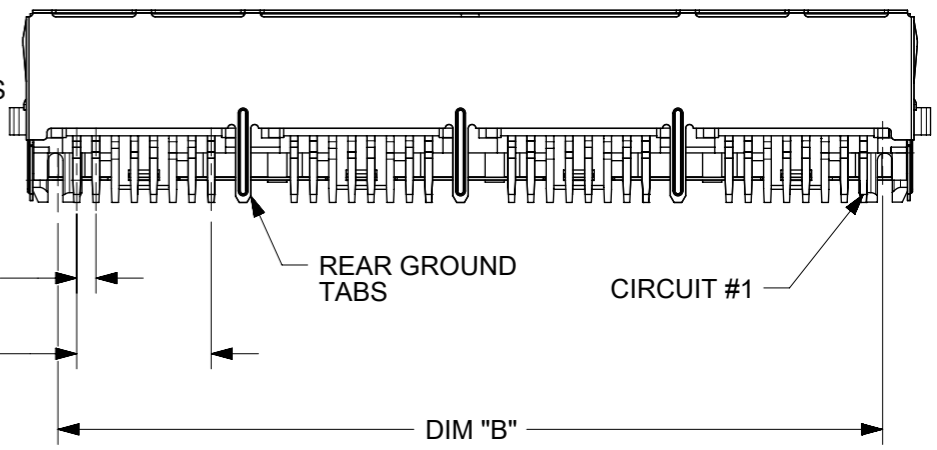
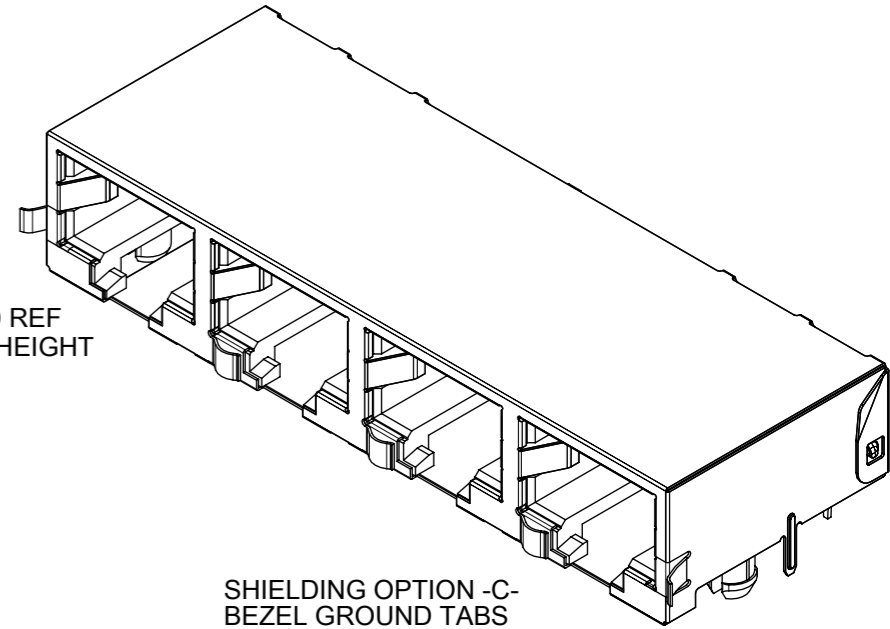
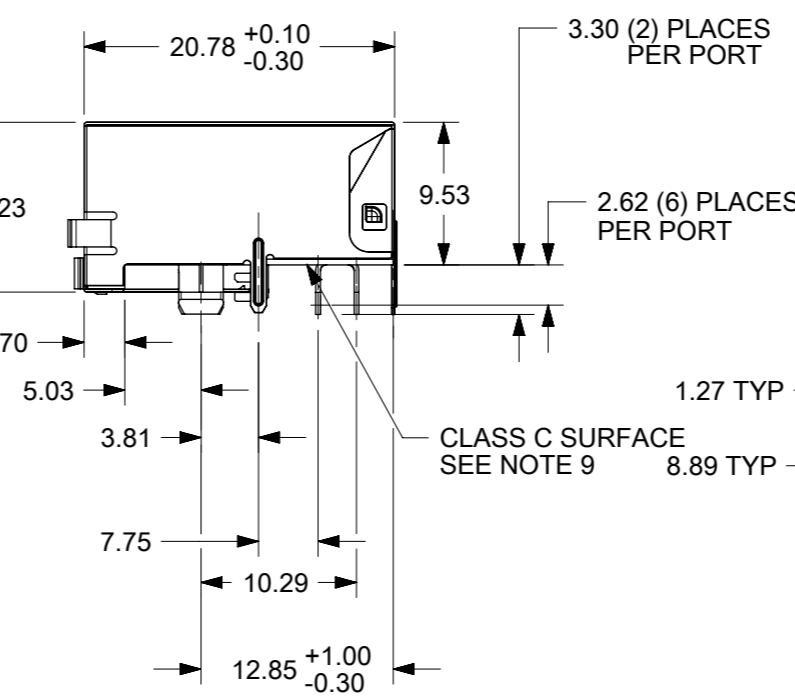
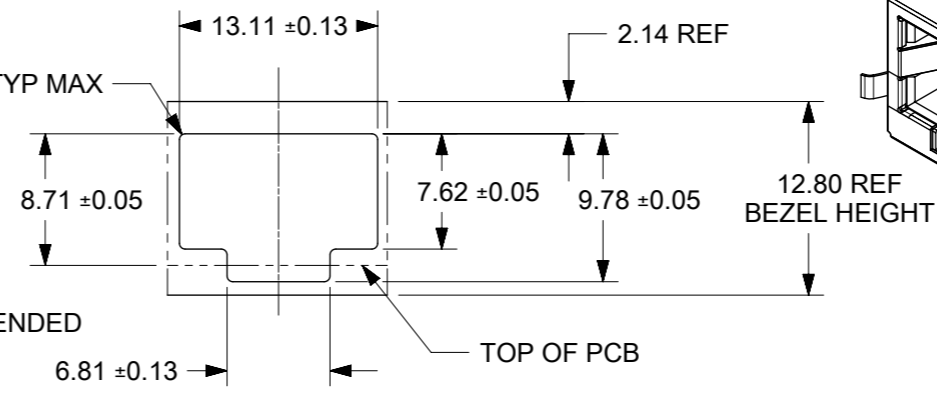
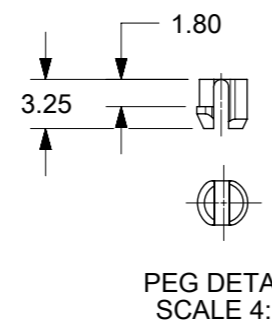
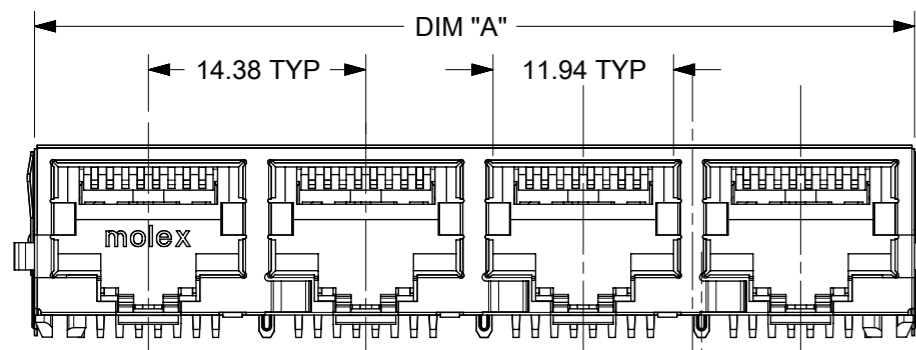
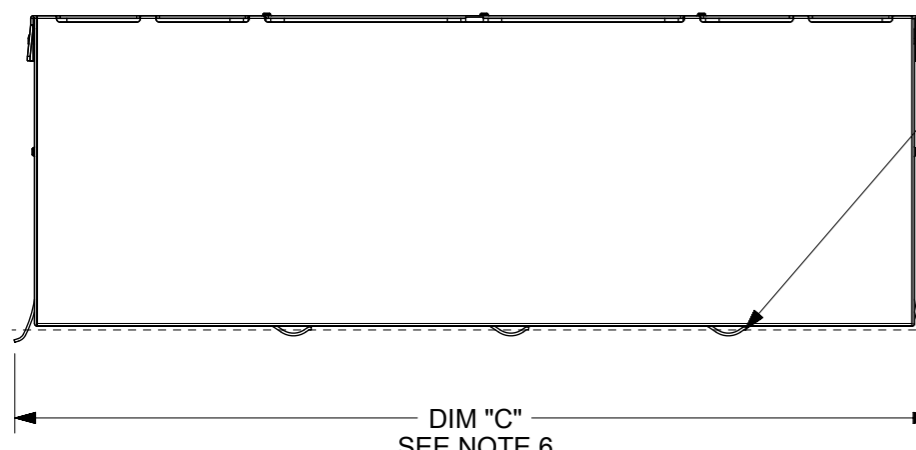
A3-SIZE 44560

MATERIAL NUMBER: SEE CHART
CUSTOMER: GENERAL MARKET
SHEET NUMBER: 2 OF 4

molex

COMPACT GANGED CATEGORY 5E MODJACK

PRODUCT CUSTOMER DRAWING



- NOTES:**
- MATERIAL:**
HOUSING: NYLON(PA), GLASS FILLED, UL94V-0, COLOR: BLACK
TERMINALS: PHOSPHOR BRONZE
SHIELD: BRASS, 0.18 THICK
 - FINISH:**
TERMINALS:
SELECT GOLD IN CONTACT AREA: 1.27 MICROMETERS MIN.,
SELECT MATTE TIN IN PC TAIL AREA: 2.54 MICROMETERS MIN.,
WITH OVERALL NICKEL UNDERPLATE: 1.27 MICROMETERS MIN.
SHIELD:
2.54 MICROMETERS NICKEL OVER 1.27 MICROMETERS
COPPER UNDERPLATE; PCB GROUND TABS DIPPED IN TIN.
 - PRODUCT SPECIFICATION AND PROCESSING PARAMETERS:** PS-44560-003.
 - PACKAGING SPECIFICATION:**
2 PORT: CONNECTOR PACKAGED IN TRAYS PER MOLEX PACKAGING SPECIFICATION PK-44560-004
4 PORT: CONNECTOR PACKAGED IN TRAYS PER MOLEX PACKAGING SPECIFICATION PK-44560-005
 - CONFORMS TO FCC REGULATION PART 68.5 FOR MODULAR JACKS.
 - THIS DIMENSION HAS A MAXIMUM OF 34.82 FOR THE (2) PORT PART AND 63.57 FOR THE (4) PORT PART WHEN THE JACK IS INSTALLED BEHIND THE BEZEL.
 - SEE SHEET (4) OF (4) FOR RECOMMENDED PCB LAYOUT.
 - TERMINAL LENGTHS MAY BE DIFFERENT FROM TERMINAL TO TERMINAL.
 - THIS PART CONFORMS TO CLASS B REQUIREMENTS OF COSMETIC SPECIFICATION PS-45499-002 WITH THE EXCEPTION OF THE SURFACE INDICATED, WHICH IS A CLASS C SURFACE.
 - THIS PRODUCT IS COMPLIANT TO RoHS DIRECTIVE 2002/95/EC AND ELV ANNEX II OF DIRECTIVE 2000/53/EC.

"X"=NOT TOOLED	ASSEMBLY MATERIAL NUMBER	SHIELDING OPTION	NUMBER OF REAR GROUND TABS	NUMBER OF PORTS	DIM "A"	DIM "B"	DIM "C"
X	445600022	C	1	2	29.44	25.68	32.13
	445600024	C	3	4	58.19	54.43	60.88

THIS DRAWING CONTAINS INFORMATION THAT IS PROPRIETARY TO MOLEX ELECTRONIC TECHNOLOGIES, LLC AND SHOULD NOT BE USED WITHOUT WRITTEN PERMISSION

FUNCTIONAL SYMBOLS: $\nabla/A = 0$, $\nabla/E = 0$, $\nabla/F = 0$

DIVISIONAL SYMBOLS: 4 PLACES ±, 3 PLACES ±, 2 PLACES ± 0.3, 1 PLACE ±, 0 PLACES ±

THIS DRAWING CONTAINS INFORMATION THAT IS PROPRIETARY TO MOLEX ELECTRONIC TECHNOLOGIES, LLC AND SHOULD NOT BE USED WITHOUT WRITTEN PERMISSION

SCALE: 2:1

GENERAL TOLERANCES (UNLESS SPECIFIED): ANGULAR TOL ± 0.5°

EC NO: 709327
DRWN: CCV
CHK'D: KLANG
APPR: KLANG

INITIAL REVISION:
DRWN: MKAMAR
APPR: MKAMAR

2018/02/10
2022/07/12
2022/07/12

0001/03/28
0001/03/28

DOCUMENT NUMBER: SD-44560-001
DOC TYPE: PSD
DOC PART: 001
REVISION: G6

molex

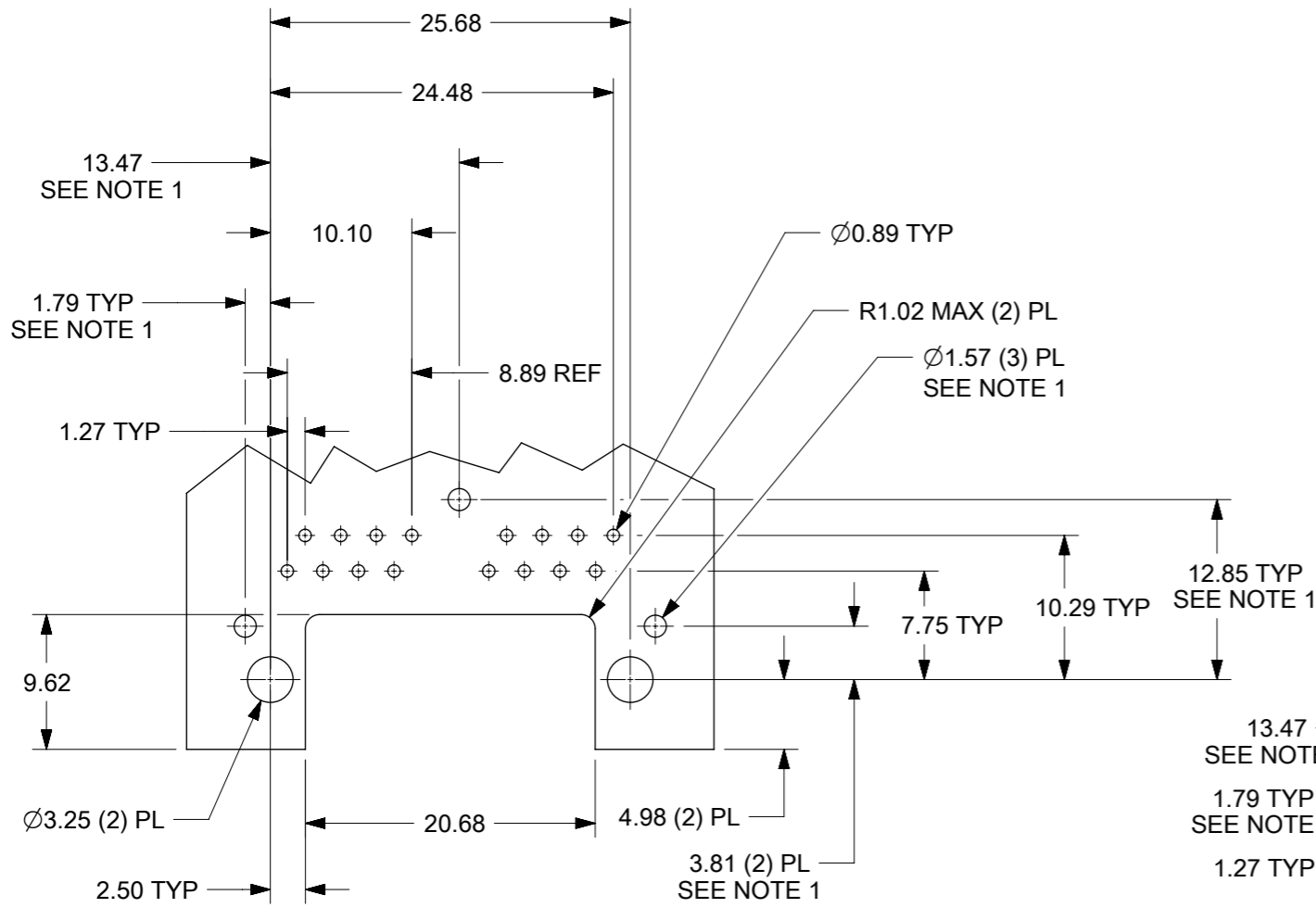
COMPACT GANGED CATEGORY 5E MODJACK

PRODUCT CUSTOMER DRAWING

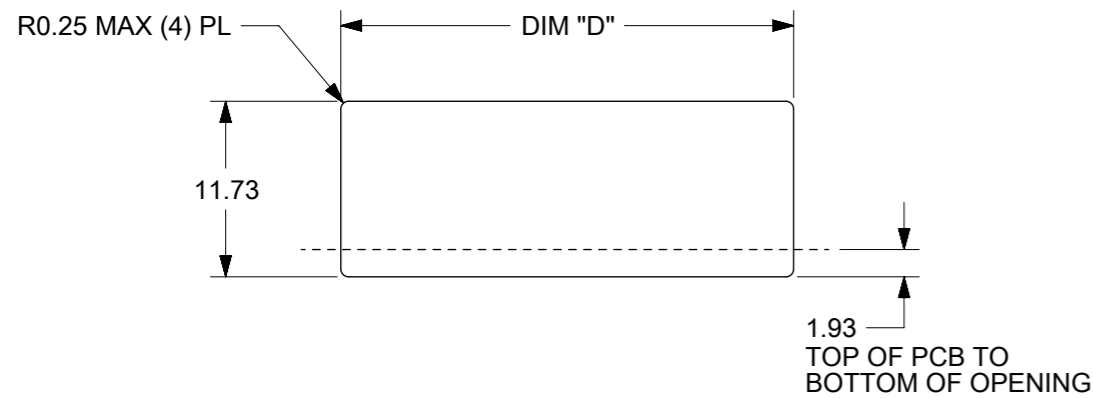
DRAFT WHERE APPLICABLE MUST REMAIN WITHIN DIMENSIONS

THIRD ANGLE PROJECTION

DRAWING: A3-SIZE
SERIES: 44560
MATERIAL NUMBER: SEE CHART
CUSTOMER: GENERAL MARKET
SHEET NUMBER: 3 OF 4

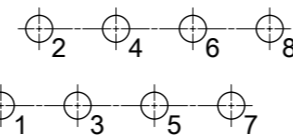


2 PORT ASSEMBLY
PCB LAYOUT : COMPONENT SIDE
RECOMMENDED PCB THICKNESS: 1.57
TOLERANCE ±.076 UNLESS OTHERWISE SPECIFIED

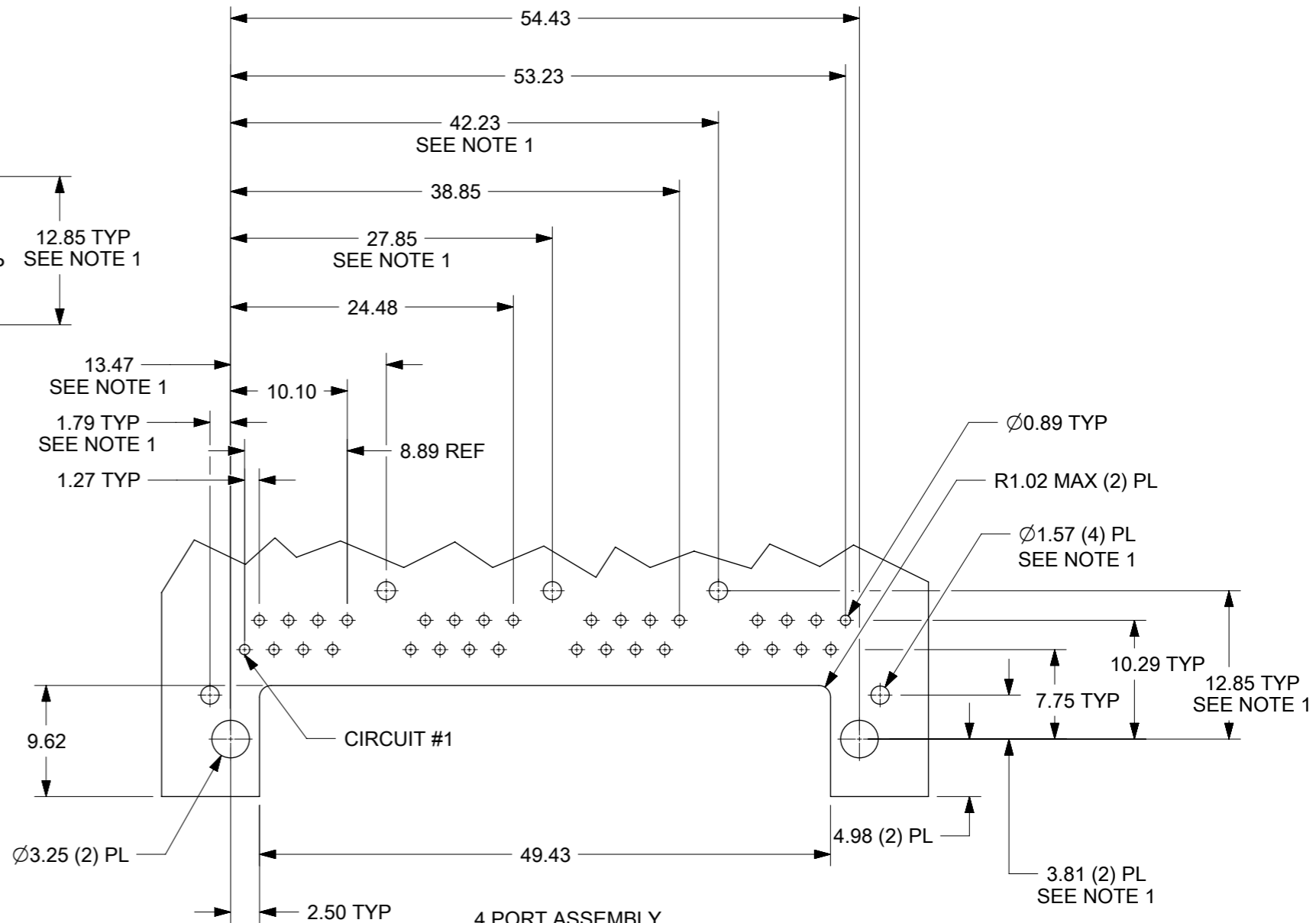


NUMBER OF PORTS	DIM "D"
2	30.20/1.189
4	58.95/2.321

RECOMMENDED
PANEL OPENING
SHIELDING OPTIONS
A AND B



TYPICAL PC TERMINAL HOLE LAYOUT
SCALE 5:1



4 PORT ASSEMBLY
PCB LAYOUT : COMPONENT SIDE
RECOMMENDED PCB THICKNESS: 1.57
TOLERANCE ±.076 UNLESS OTHERWISE SPECIFIED

NOTES:

1. DIMENSIONS REFER TO ASSEMBLIES WITH SHIELDING OPTION

FUNCTIONAL SYMBOLS	THIS DRAWING CONTAINS INFORMATION THAT IS PROPRIETARY TO MOLEX ELECTRONIC TECHNOLOGIES, LLC AND SHOULD NOT BE USED WITHOUT WRITTEN PERMISSION		CURRENT REV DESC: MIGRATED TO NX				molex		
	△/A = 0	mm							
DIVISIONAL SYMBOLS	GENERAL TOLERANCES (UNLESS SPECIFIED)		EC NO: 709327			2018/02/10			
	ANGULAR TOL ± 0.5°		DRWN: CCV						2022/07/12
	4 PLACES	±	CHK'D: KLANG			2022/07/12			
	3 PLACES	±	APPR: KLANG			2022/07/12			
	2 PLACES	± 0.3	INITIAL REVISION:			DOCUMENT NUMBER			
1 PLACE	±	DRWN: MKAMAR			0001/03/28				
0 PLACES	±	APPR: MKAMAR			0001/03/28				
DRAFT WHERE APPLICABLE MUST REMAIN WITHIN DIMENSIONS		THIRD ANGLE PROJECTION		DRAWING	SERIES	MATERIAL NUMBER	CUSTOMER		SHEET NUMBER
		A3-SIZE		44560	SEE CHART	GENERAL MARKET		4 OF 4	