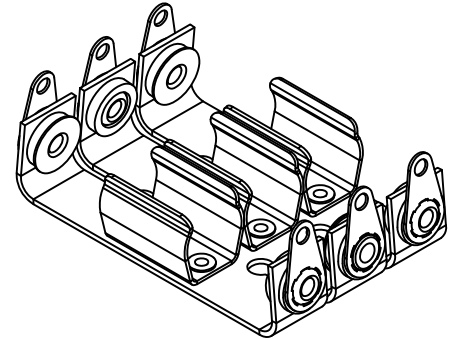
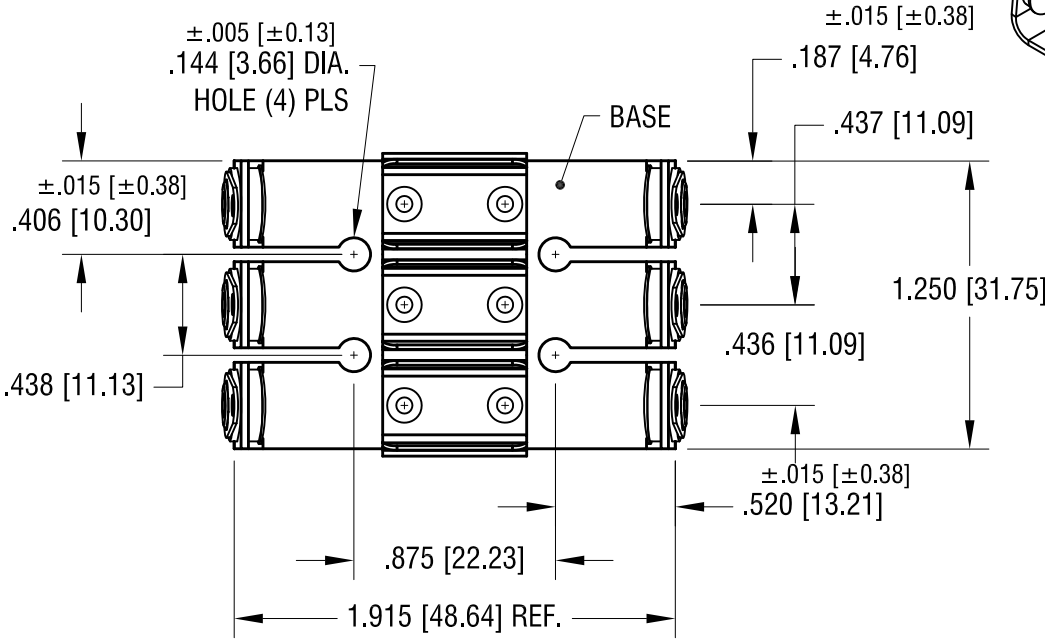
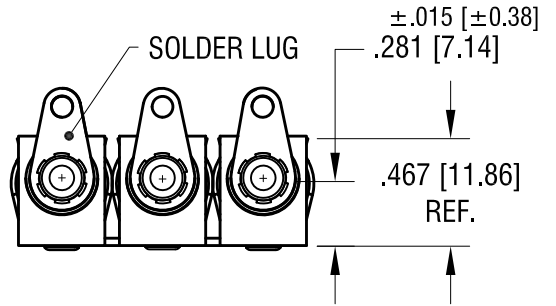
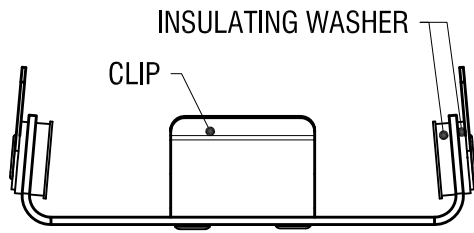


THIS DOCUMENT IS THE PROPERTY OF KEYSTONE ELECTRONICS CORP. AND SHALL NOT BE REPRODUCED, DISTRIBUTED OR USED AS A BASIS FOR MANUFACTURE WITHOUT PRIOR WRITTEN PERMISSION FROM KEYSTONE ELECTRONICS CORP.



ACTUAL SIZE



- NOTES:
1. BASE: MAT'L - .032 [.81] TH'K ALUMINUM
  2. CLIP: MAT'L - .020 [.50] TH'K ALUMINUM
  3. SOLDER LUG: MAT'L - BRASS  
FINISH - TIN PLATE

12.06.22	CHANGE AS PER ECN 22.173	C
1.11.12	CHANGE AS PER ECN 12-004	B
6.23.04	CHANGE AS PER ECN 04-049	A
DATE	DESCRIPTION	REV.

<b>KEYSTONE ELECTRONICS CORP.</b>			
www.keyelco.com • NEW HYDE PARK NY 11040 • Tel (516)328-7500			
PART NAME			
BATTERY HOLDER (3) 'AAA'			
MATERIAL			
AS NOTED			
FINISH		DRN BY	DATE
AS NOTED		BOONE	1.07.82
		APP'D	SCALE
		RH	1.2X
TOLERANCES	INCH	[MM]	CODE
DECIMAL	± .010	[± 0.25]	C
ANGULAR	± 1°		
UNLESS OTHERWISE SPECIFIED			
DWG NO.			<b>169</b>