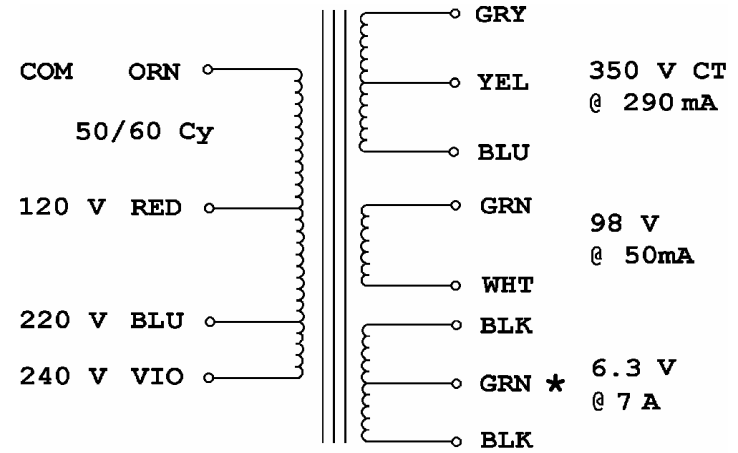
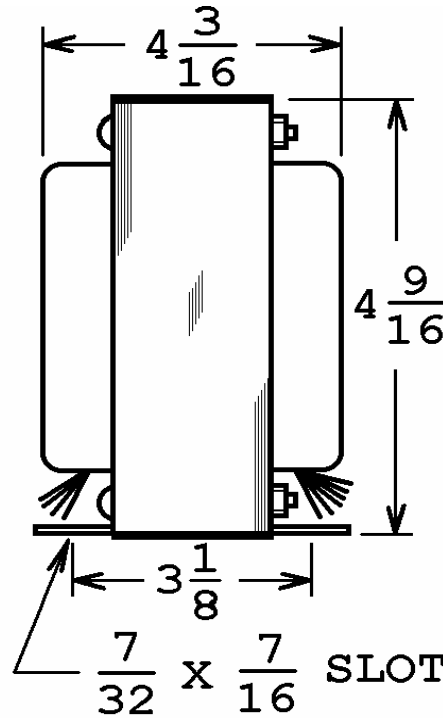
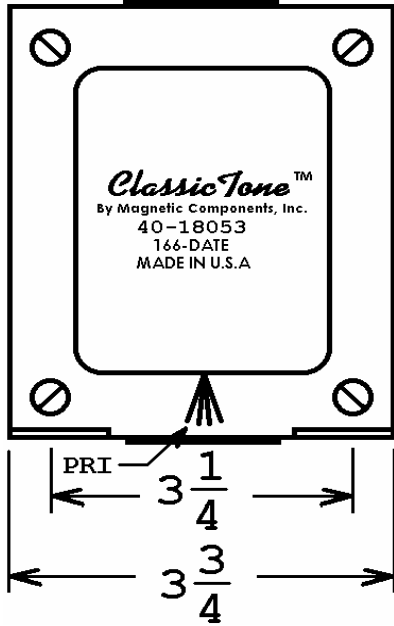


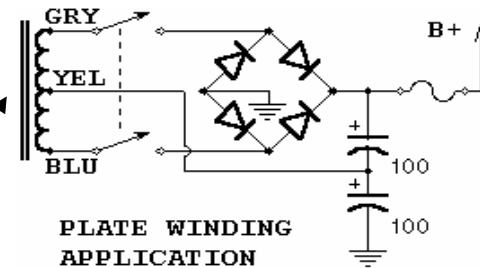
40-18053

This drawing is the property of Magnetic Components, Inc. and shall not be reproduced, in whole or in part, without the written permission of Magnetic Components, Inc.

REVISIONS			
LTR	DESCRIPTION	DATE	APPROVED
A	ADD YEL LEAD WIRE NOTE	04/02/12	M. Sacketti



* GRN LEAD (C.T.) IS ON PRIMARY SIDE OF UNIT



NOTE: IF ONLY ONE FILTER CAP IS USED, DO NOT USE THE YEL WIRE. INSULATE IT AND DO NOT CONNECT IT TO ANYTHING.

UNLESS OTHERWISE SPECIFIED	SIGNATURES		DATE	MAGNETIC COMPONENTS, INC.	DIV :	
	DRAWN : <i>M. Sacketti</i>		05 AUG 10	TITLE	LOC : SCHILLER PK	
ALL DIMENSIONS IN INCHES DO NOT SCALE DRAWING	CHECK :			100W MARSHALL POWER		
FRACTIONS +/-	APPR : <i>M. Sacketti</i>		05 AUG 10	CAGE	SIZE	REV
.X = +/-				50508	A	A
.XX = +/-				SCALE	40-18053	
.XXX = +/-				NONE	SHEET :	
ANGLES = +/-						