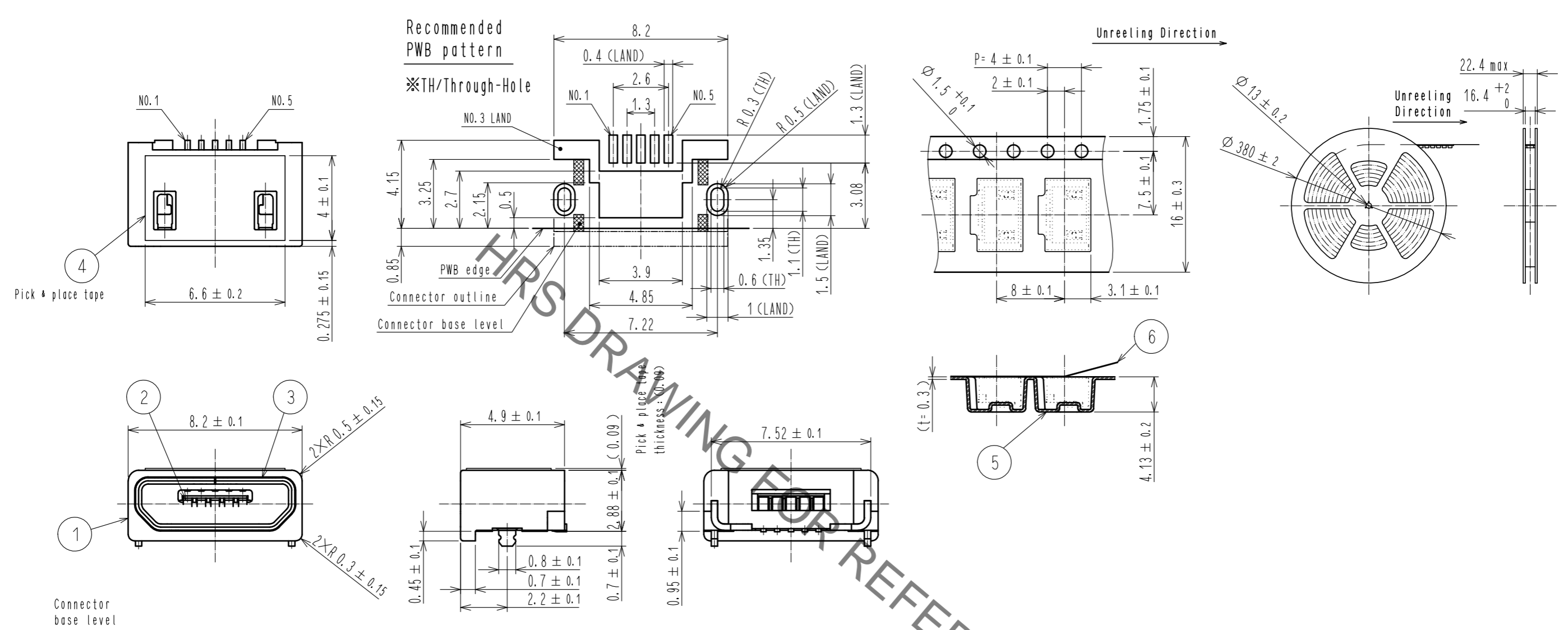


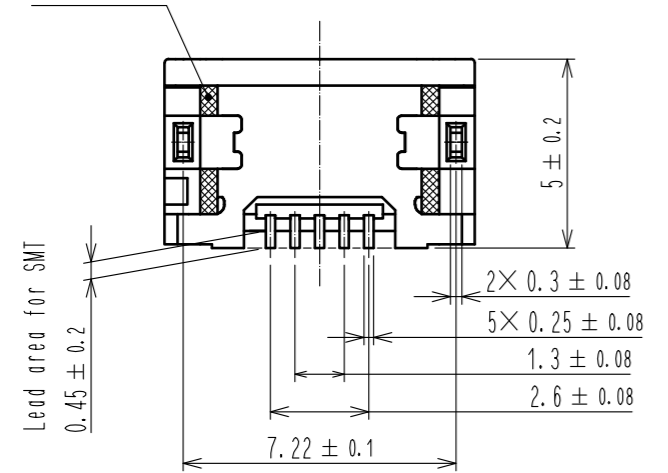
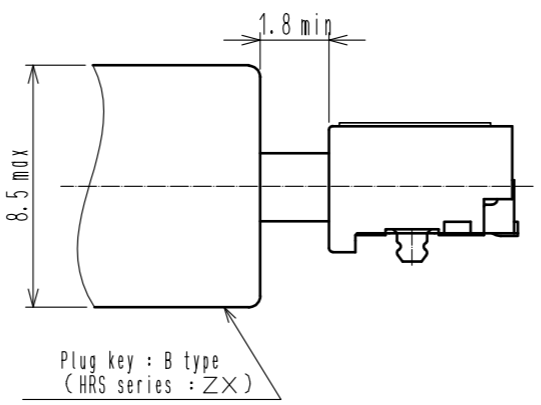
Apr.1.2023 Copyright 2023 HIROSE ELECTRIC CO., LTD. All Rights Reserved.
In case of consideration for using Automotive equipment / device which demand high reliability, kindly contact our sales window correspondents.

Drawing for packing (FREE)



- Remark) 1. Co-planarity is within 0.08mm
 2. Plating
 Contact area: Palladium-Nickel 0.75um MIN + Gold 0.05um MIN
 Lead area: Gold 0.05um MIN
 Under plating: Nickel 2um MIN
 3. Opening area shape: Conform to USB2.0 standard
 4. Per reel: 3000 pcs

Section of mated condition



3	Stainless-Steel	Gold 0.01µm min (Selective mating and soldering area) Lubricant	6	PE	Top cover tape		
2	Copper-Alloy		5	PS	Embossed carrier tape		
1	LCP	Black UL94V-0	4	PI	Pick & place tape		
NO.	MATERIAL	FINISH, REMARKS	NO.	MATERIAL	FINISH, REMARKS		
UNITS mm		SCALE 5 : 1	COUNT 1	DESCRIPTION OF REVISIONS DIS-E-00000909	DESIGNED TY. MIURA	CHECKED NM. NISHIMATSU	DATE 17. 03. 24
HRS HIROSE ELECTRIC CO., LTD.		APPROVED : RI. TAKAYASU 11. 06. 20	DRAWING NO. EDC3-126992-02				
		CHECKED : TA. ASO 11. 06. 20	PART NO. ZX62WD1-B-5PC				
		DESIGNED : WR. YAMADA 11. 06. 20	CODE NO. CL242-0121-3-00				
		DRAWN : WR. YAMADA 11. 06. 20					