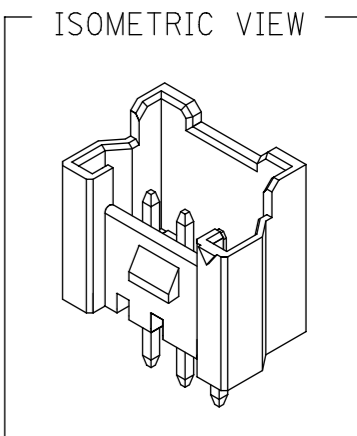
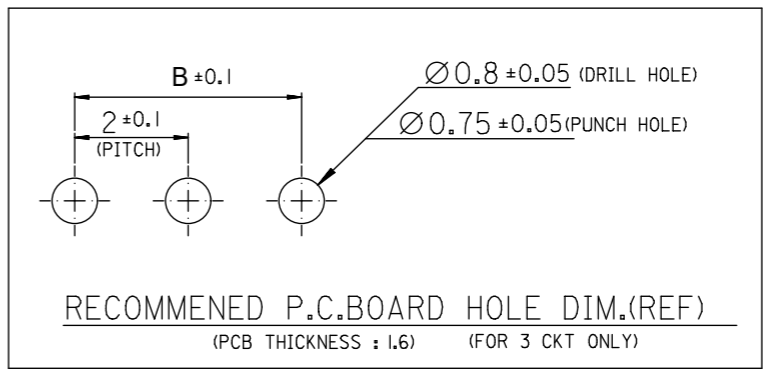
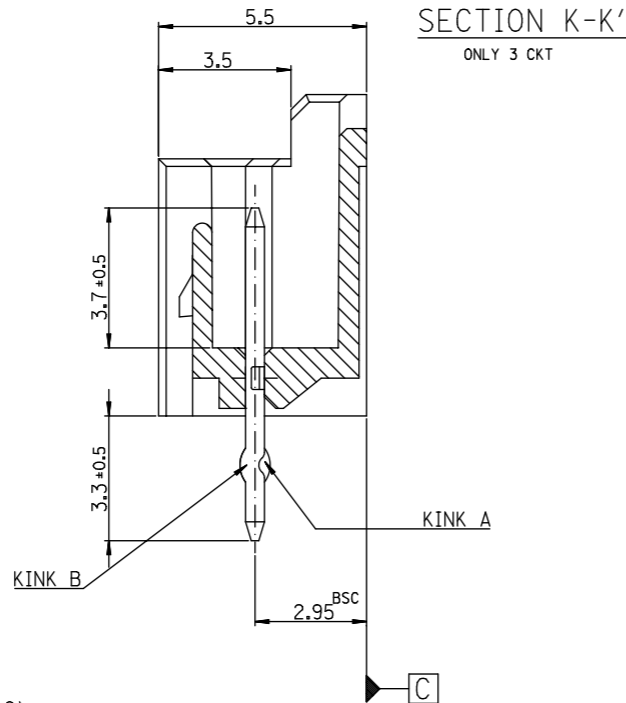
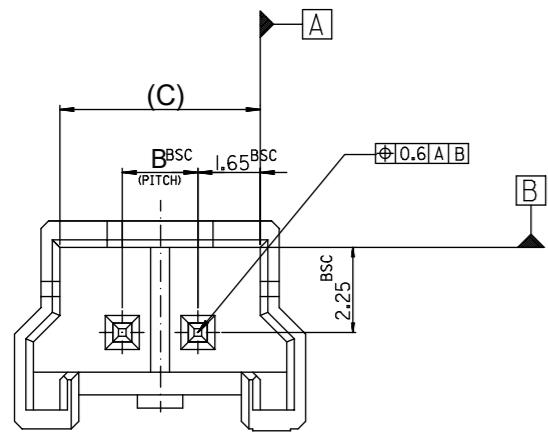


FOR 2 & 3 CKTS.



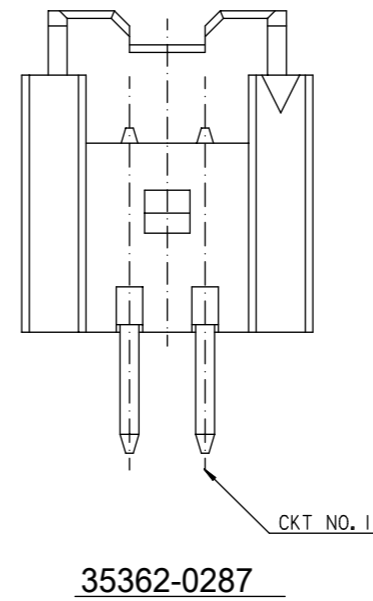
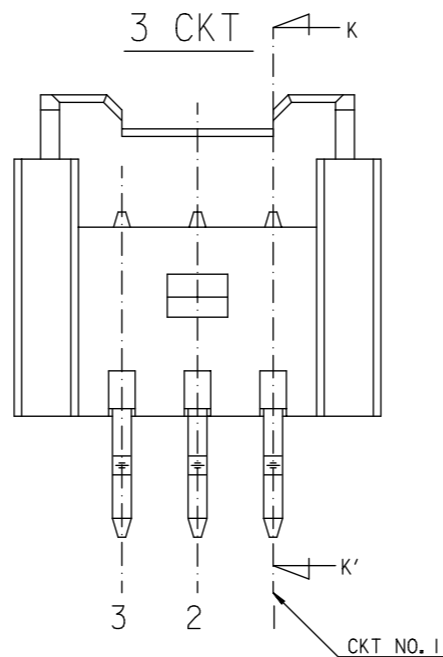
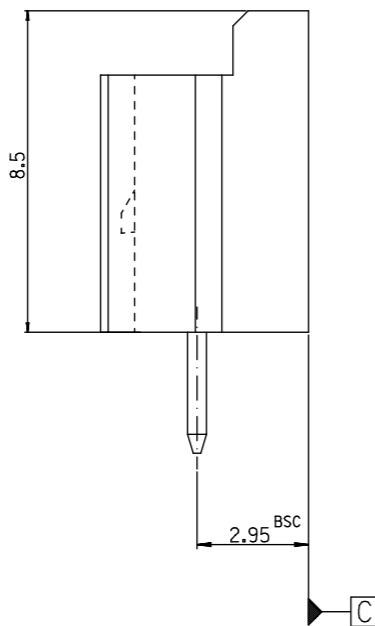
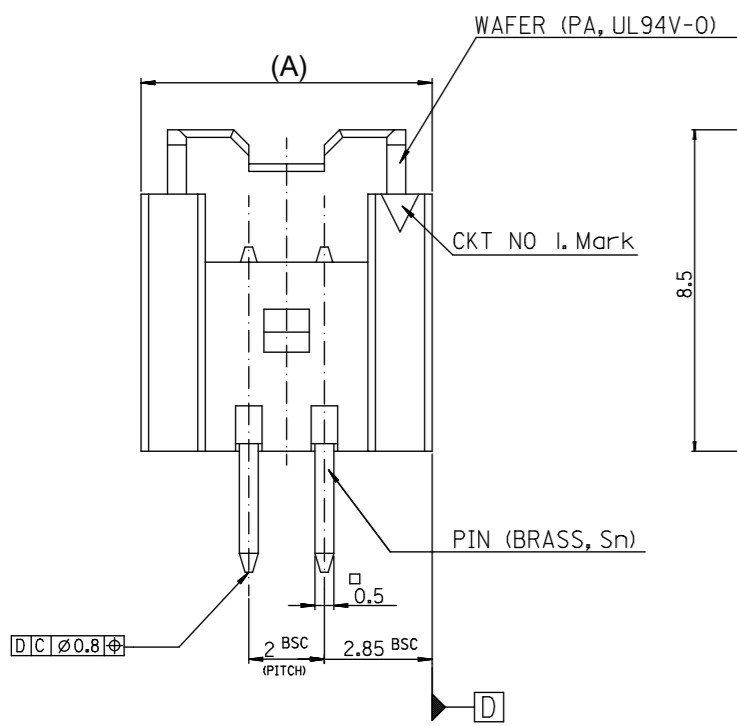
LEGEND

SD-35362-****
CKT NO. _____ COLOR _____

FINAL GOOD (BULK)
SUB ASSY (TUBE)

- 5 : SELECTIVE KINK (LEAD FREE)
- 6 : NONE KINK (LEAD FREE)
- 7 : SELECTIVE KINK (LEAD FREE)
- 8 : NONE KINK (LEAD FREE)

- 0 : NATURAL
- 1 : BLACK
- 2 : RED
- 3 : YELLOW
- 4 : BLUE
- 5 : GREEN
- 6 : TUBE PACKING (Natural Color)
- 7 : TUBE PACKING (Red Color)
- 8 : TUBE PACKING (Blue Color)



35362-0287

NOTES

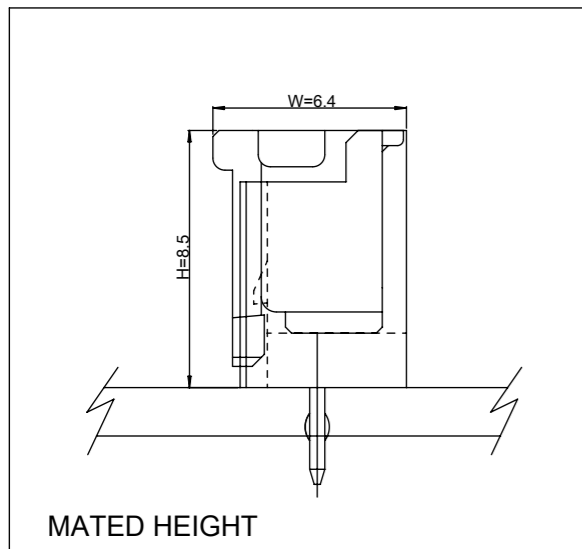
- MATERIAL : UNFILLED POLYAMIDE, UL94V-0
PIN : BRASS
- FINISHES : PIN - Tin(Sn) 1.0~3.0µm OVERALL
Cu 1.5~3.75µm OVERALL
- PRODUCT SPECIFICATION : PS-35507-003
- MATING HOUSING : 35507-**0
MATING TERMINAL : 50212-8000
- KINK

| | | | |
|---------|---|---|---|
| CKT NO. | 1 | 2 | 3 |
| 2 CKT | | | |
| 3 CKT | A | B | A |

6. 35362-0287 IS ONLY KINKED 2P

| | | |
|-------------|---|---|
| CKT NO. | 1 | 2 |
| PRODUCT NO. | | |
| 35362-0287 | A | B |

| | | | | | |
|-----|---|-----|--------------|------------|-----|
| 7.3 | 4 | 9.7 | 3536203** | 35362-03** | 3 |
| 5.3 | 2 | 7.7 | 3536202** | 35362-02** | 2 |
| (C) | B | (A) | MATERIAL NO. | ENG. NO. | CKT |



LEAD FREE

| | |
|---------------------------------------|---|
| FUNCTIONAL SYMBOLS | THIS DRAWING CONTAINS INFORMATION THAT IS PROPRIETARY TO MOLEX ELECTRONIC TECHNOLOGIES, LLC AND SHOULD NOT BE USED WITHOUT WRITTEN PERMISSION |
| SCALE | SCALE |
| mm | 5:1 |
| GENERAL TOLERANCES (UNLESS SPECIFIED) | |
| ANGULAR TOL ± ° | |
| 4 PLACES ± | |
| 3 PLACES ± | |
| 2 PLACES ± | |
| 1 PLACE ± | |
| 0 PLACES ± | |
| DIVISIONAL SYMBOLS | |
| GENERAL TOLERANCE | |

EC NO: 636378
DRWN: SCHONG03
CHK'D: JBJIN
APPR: YSKIM02

INITIAL REVISION:
DRWN: DYJANG
APPR: CHANGWOOLEE

2020/04/21
2020/04/23
2020/04/23

2004/09/01
2004/09/02

THIRD ANGLE PROJECTION

DRAFT WHERE APPLICABLE MUST REMAIN WITHIN DIMENSIONS

molex

2.0 WB WAFER ASS'Y
-LEAD FREE-

PRODUCT CUSTOMER DRAWING

DOCUMENT NUMBER: SD-35362-002
DOC TYPE: PSD
DOC PART: 002
REVISION: F3

MATERIAL NUMBER: SEE TABLE
CUSTOMER: GENERAL MARKET
SHEET NUMBER: 1 OF 1