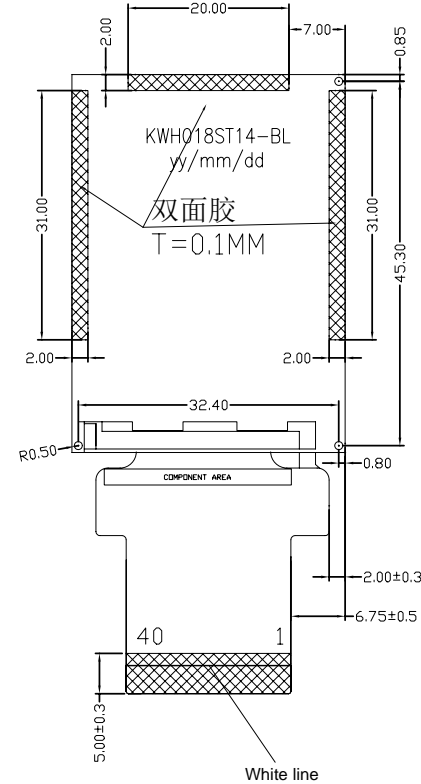
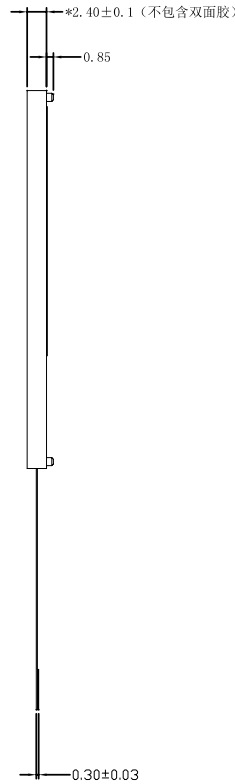
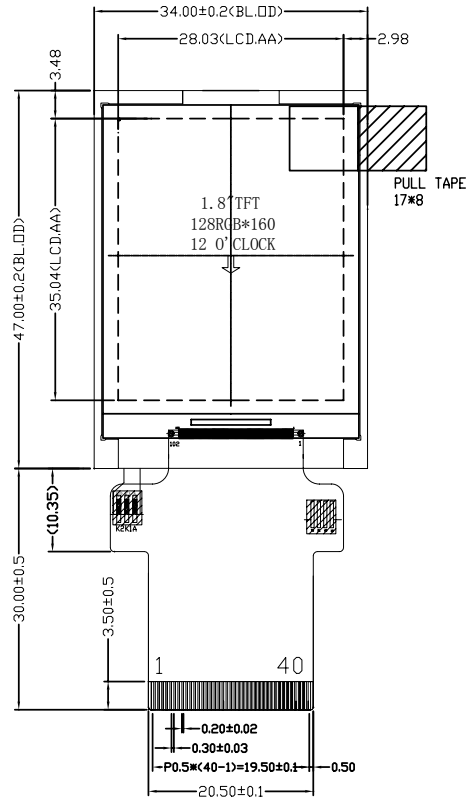


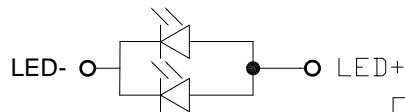
| VERTION | DESCRIPTION | DATE |
|---------|------------------------------------|------------|
| A | First Issue | 2018-12-10 |
| B | Change from soldering to connector | 2018-12-12 |



| | |
|----|---------|
| 1 | LED+ |
| 2 | LED- |
| 3 | GND |
| 4 | RESET |
| 5 | VCC |
| 6 | IDVCC |
| 7 | TE |
| 8 | DB17 |
| 9 | DB16 |
| 10 | DB15 |
| 11 | DB14 |
| 12 | DB13 |
| 13 | DB12 |
| 14 | DB11 |
| 15 | DB10 |
| 16 | DB9 |
| 17 | DB8 |
| 18 | DB7 |
| 19 | DB6 |
| 20 | DB5 |
| 21 | DB4 |
| 22 | DB3 |
| 23 | DB2 |
| 24 | DB1 |
| 25 | DB0/SDI |
| 26 | RD/E |
| 27 | WR/RW |
| 28 | DC/SCL |
| 29 | CS |
| 30 | SPI4W |
| 31 | P68 |
| 32 | IM2 |
| 33 | IM1 |
| 34 | IM0 |
| 35 | GND |
| 36 | NC(XR) |
| 37 | NC(YD) |
| 38 | NC(XL) |
| 39 | NC(YU) |
| 40 | GND |

NOTES:

- | | |
|-------------------------------------|----------------|
| 1. DISPLAY TYPE: | TFT |
| 2. MODULE SIZE: | 1.8INCH |
| 3. OPERATING TEMPERATURE: | -20°C~70°C |
| 4. STORAGE TEMPERATURE: | -30°C~80°C |
| 5. DRIVER IC: | ILI9163V |
| 6. VIEWING DIRECTION: | 12:00 |
| 7. BACKLIGHT: | 2LEDs/PARALLEL |
| 8. ROSH COMPLIANT | |
| 9. Unspecified tolerance is ±0.20mm | |



If=30mA(tpye)
Vf=3.2V(tpye)

(CIRCUIT DIAGRAM)

| CUSTOMER APPROVE | |  FORMIKE ELECTRONIC CO.,LTD. 深圳市科万宏电子有限公司 www.wandisplay.com | | |
|---|--------|--|----------------|-------------------|
| | | MODULE NO. | KWH018ST14-F01 | VERTION: B |
| | | MATERIAL NO. | | SHEET: 1 OF 1 |
|  | ISSUED | CHECKED | APPROVED | UNIT: MM |
| | Leo | ZENG | LIU | DATE: Dec-12-2018 |