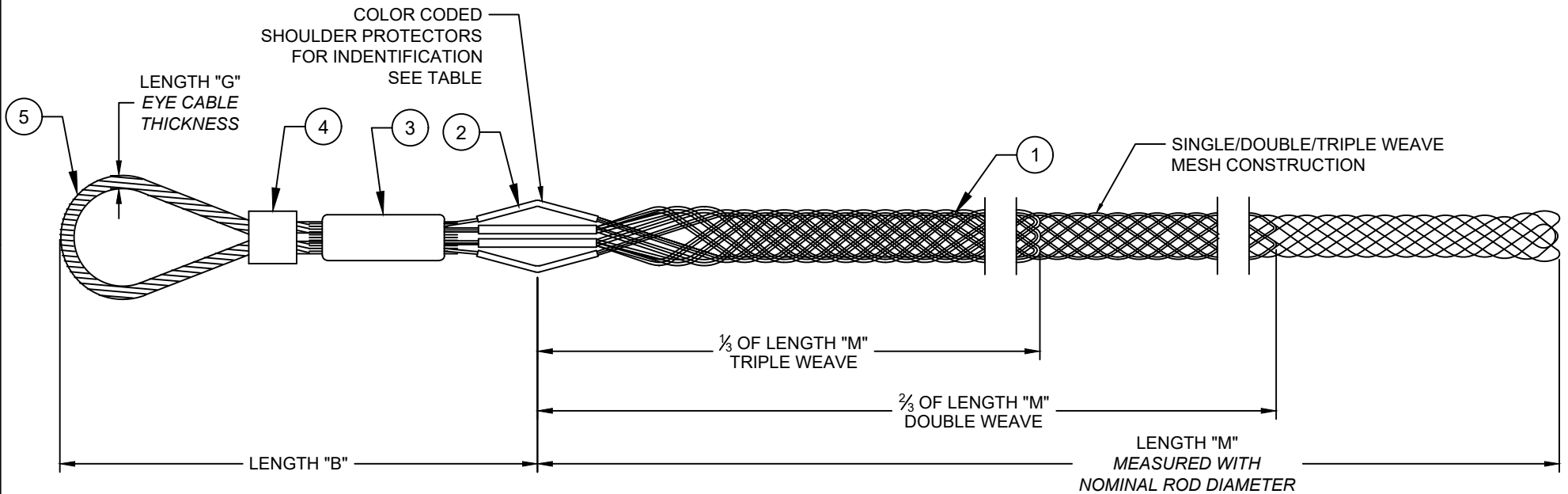


CATALOG NUMBER	MATERIAL NUMBER	CABLE RANGE	NOMINAL ROD DIAMETER	LENGTH "M"	LENGTH "B"	LENGTH "G" EYE CABLE THICKNESS REF.	COLOR CODE	APPROXIMATE BREAK STRENGTH* (LBS / N)	UL LISTED	CSA APPROVED	PRODUCT SELECTION NUMBER
36640	1300950288	.25-.49 / 6.4-12.4	.37 / 9.4	26.00±2.50 / 660.4±63.5	9.00±1.00 / 228.6±25.4	.250 / 6.35	DARK GREEN	6800 / 30248	NO	YES	PF025-26MS
36642	1300950290	.75-.99 / 19.1-25.1	.87 / 22.1	41.00±4.50 / 1041.4±114.3	11.00±1.00 / 279.4±25.4	.375 / 9.53	LIGHT BLUE	14400 / 64054			PF075-41MS
36643	1300950291	1.00-1.24 / 25.4-31.5	1.12 / 28.4	52.00±5.00 / 1320.8±127.0	12.00±1.00 / 304.8±25.4	.500 / 12.70	GOLD	24600 / 109426			PF100-52MS
36644	1300950292	1.25-1.49 / 31.8-37.8	1.37 / 34.8	56.00±5.00 / 1422.4±127.0	12.00±1.00 / 304.8±25.4	.500 / 12.70	BLACK	30600 / 136116			PF125-56MS
36645	1300950293	1.50-1.74 / 38.1-44.2	1.62 / 41.1	60.00±5.00 / 1524.0±127.0	12.00±1.00 / 304.8±25.4	.500 / 12.70	RED	30600 / 136116			PF150-60MS

*TO DETERMINE RECOMMENDED WORKING LOAD, DIVIDE BREAK STRENGTH BY 5.



INSTRUCTION SHEET TO BE INCLUDED WITH GRIP.

ITEM	DESCRIPTION	MATERIAL
1	WIRE MESH	GALVANIZED STEEL
2	SHOULDER PROTECTOR	ALUMINUM
3	SWAGING FERRULE	STAINLESS STEEL
4	BAND SLEEVE	ALUMINUM
5	BALE EYE	GALVANIZED STEEL

THIS DRAWING CONTAINS INFORMATION THAT IS PROPRIETARY TO MOLEX ELECTRONIC TECHNOLOGIES, LLC AND SHOULD NOT BE USED WITHOUT WRITTEN PERMISSION

DIMENSION UNITS	SCALE	CURRENT REV DESC: REMOVED OBSOLETE PART NUMBER AS PER PCN#509989.	
INCH/MM	NTS		
GENERAL TOLERANCES (UNLESS SPECIFIED)		EC NO: 708673	
	mm	DRWN: SANTHN	2022/05/20
	INCH	CHK'D: SANTHN	2022/05/31
4 PLACES	±----	APPR: GGA	2022/06/22
3 PLACES	±----	INITIAL REVISION:	
2 PLACES	±0.13	DRWN: HRUIZ01	2014/09/04
1 PLACE	±0.25	APPR: JFMURPHY	2015/03/23
0 PLACES	±----	DOCUMENT NUMBER	
ANGULAR TOL ± 0.5 °		SD-130095-108	
DRAFT WHERE APPLICABLE MUST REMAIN WITHIN DIMENSIONS		DOC TYPE	DOC PART
THIRD ANGLE PROJECTION		PSD	001
DRAWING		REVISION	
A-SIZE		A1	
SERIES		SHEET NUMBER	
130095		1 OF 1	
MATERIAL NUMBER		CUSTOMER	
SEE TABLE		GENERAL MARKET	

DOCUMENT STATUS	P1	RELEASE DATE	2022/06/22	14:10:20
-----------------	----	--------------	------------	----------