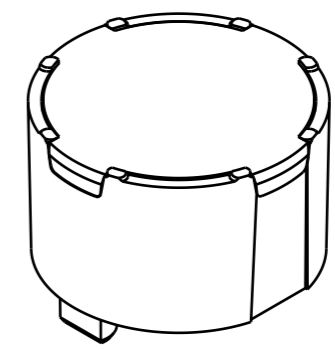
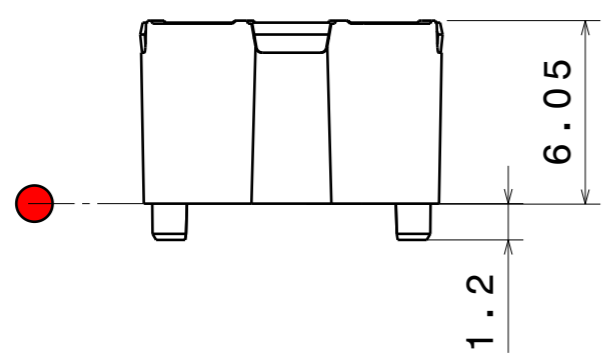


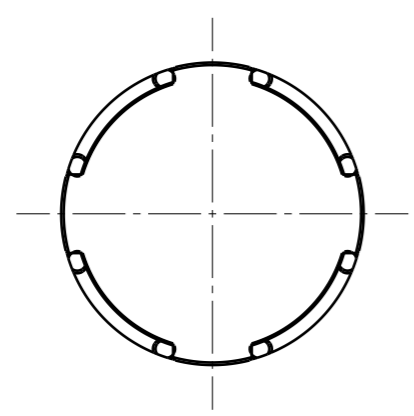
Bottom view



Isometric view  
Scale: 4:1



Front view



Top view

FP16611\_LISA3CSP-WWW-PIN  
**COMPONENTS**

INDEX	PART	TYPE	MATERIAL	COLOR / COATING
1	F16555_LISA3-WWW	LENS	PMMA	CLEAR
2	F16564_LISA3-HLD2-PIN	HOLDER	PC	BLACK

<b>MECHANICAL DRAWING</b>		<b>LEDiL</b> <sup>®</sup>
PRODUCT <b>LISA3</b>		
Plastic moulding general tolerances according to DIN 16901-130 and applies if not otherwise shown in the drawing. Silicone moulding general tolerances according to ISO 3302-1 Class M3 and applies if not otherwise shown in the drawing.	<b>FIRST ANGLE PROJECTION:</b> 	This drawing is the property of LEDiL Oy. It may not be copied or otherwise distributed without prior written permission from LEDiL Oy.
SCALE 4:1	WEIGHT 0,45 g	A3 SHEET 1/1

**Notes**

	PCB or heatsink level.
	LED location
	Ensure LED fitting from a product specific 3D model available from <a href="http://www.ledil.com">www.ledil.com</a>
	For more details about installation please see LEDiL Installation Guide on <a href="http://www.ledil.com">www.ledil.com</a>