

THIS DRAWING IS UNPUBLISHED.

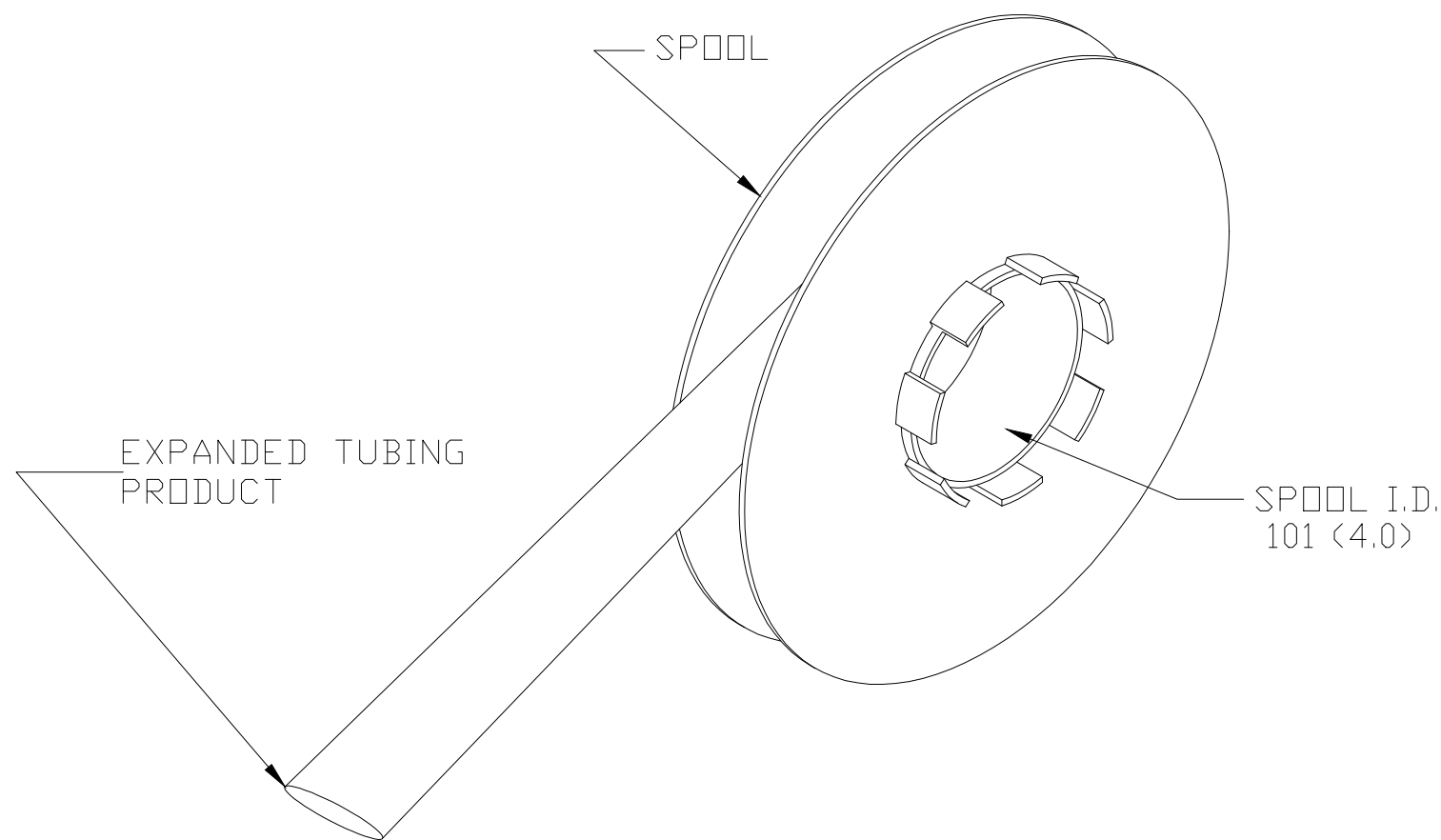
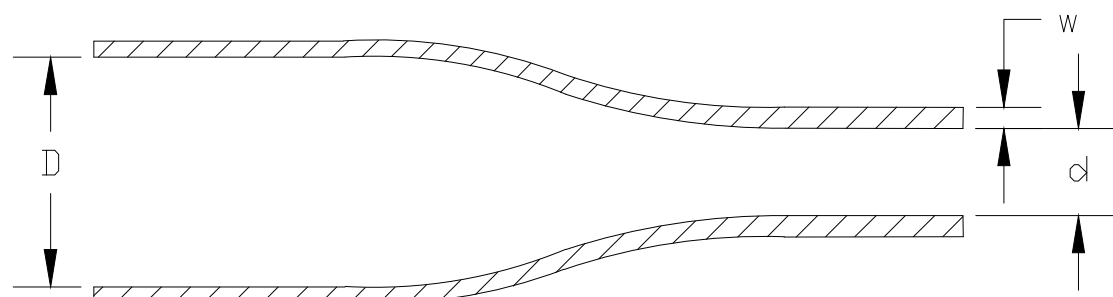
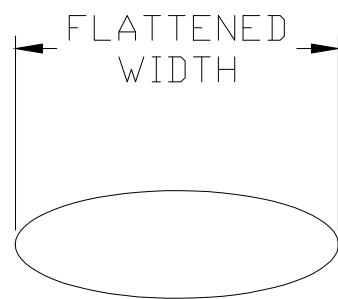
RELEASED FOR PUBLICATION

ALL RIGHTS RESERVED.

© COPYRIGHT 2020 TE Connectivity Ltd.

REVISIONS


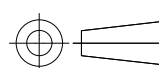
P	LTR	DESCRIPTION	DATE	DWN	APVD
2		INITIAL CUSTOMER DRAWING	20JAN2020	AFK	LS



Product Size	2.4	3.2	4.8	6.4	9.5	12	18	25	38
"D" Minimum Supplied I.D.	2.4 (.094)	3.2 (.126)	4.8 (.189)	6.4 (.252)	9.5 (.374)	12.7 (.500)	19.1 (.752)	25.4 (1.00)	38.1 (1.50)
"d" Maximum Recovered I.D.	0.8 (.031)	1.1 (.043)	1.6 (.063)	2.1 (.083)	3.2 (.126)	4.2 (.165)	6.4 (.252)	8.5 (.335)	19.1 (.752)
"w" Recovered Wall Thickness ±0.08 (.003)	0.51 (.020)	0.51 (.020)	0.58 (.023)	0.58 (.023)	0.61 (.024)	0.61 (.024)	0.61 (.024)	0.64 (.025)	0.64 (.025)
Minimum Sleeve Flattened Width	4.30 (.169)	5.82 (.229)	8.00 (.315)	10.65 (.419)	15.5 (.610)	20.4 (.803)	30.5 (1.201)	40.4 (1.591)	60.3 (2.374)

NOTES:

1. ALL DIMENSIONS ARE IN MILLIMETERS (inches).

THIS DRAWING IS A CONTROLLED DOCUMENT.		DWN AFK	09JAN2020	 TE Connectivity	
DIMENSIONS: mm		CHK -	-		
		TOLERANCES UNLESS OTHERWISE SPECIFIED: 0 PLC ± - 1 PLC ± - 2 PLC ± - 3 PLC ± - 4 PLC ± - ANGLES ± -		APVD LS 20JAN2020 NAME D-CT OUTSIDE PRINTER SPOOL	
MATERIAL CROSSLINKED POLYOLEFIN		FINISH -		PRODUCT SPEC RW-2519 APPLICATION SPEC -	
		WEIGHT VARIOUS		SIZE A3	CAGE CODE 0198G
		CUSTOMER DRAWING		DRAWING NO C-MCD170014	RESTRICTED TO -
				SCALE -	SHEET 1 OF 1
				REV 2	