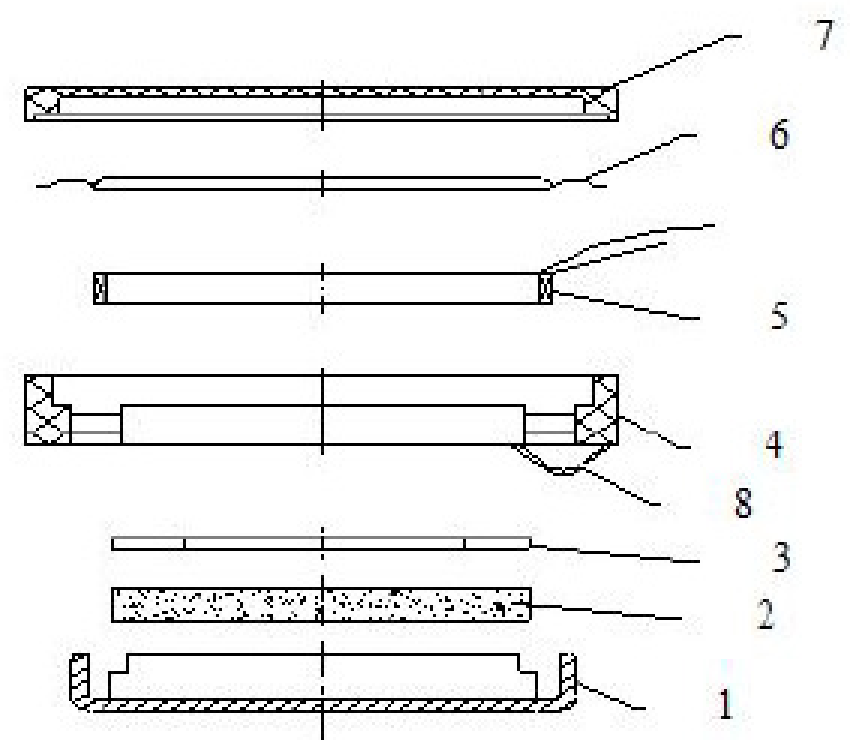
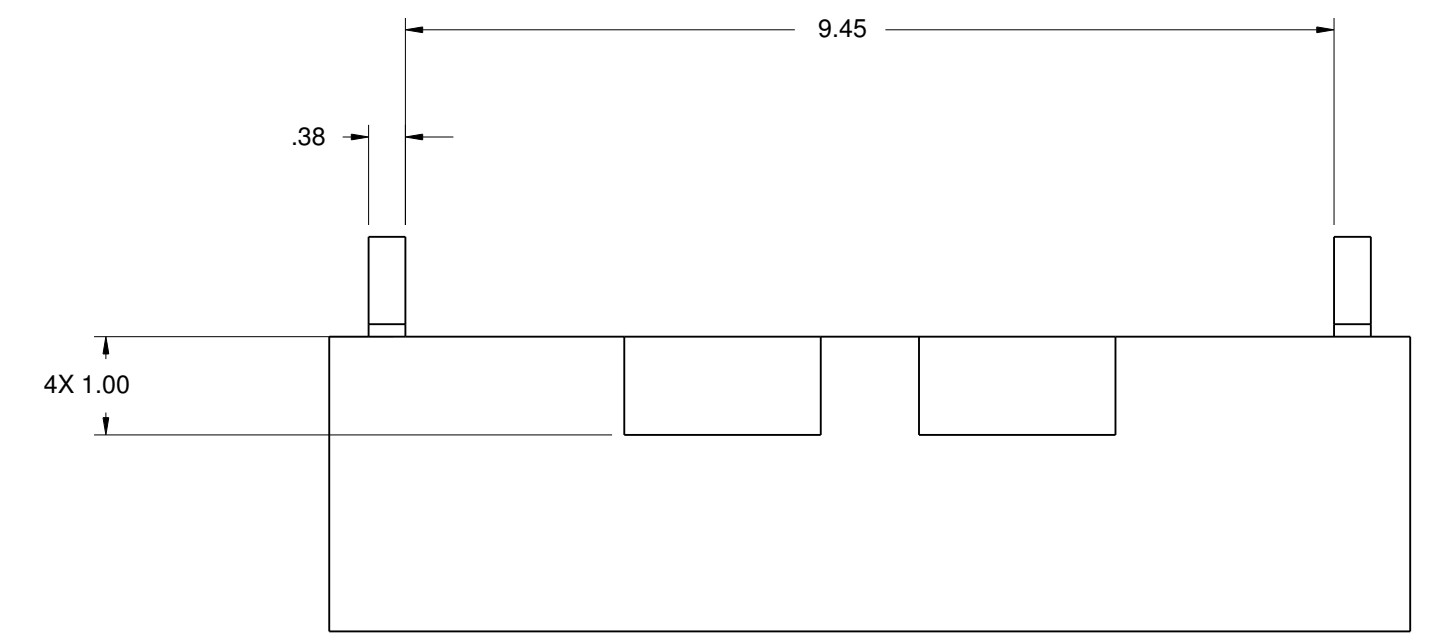
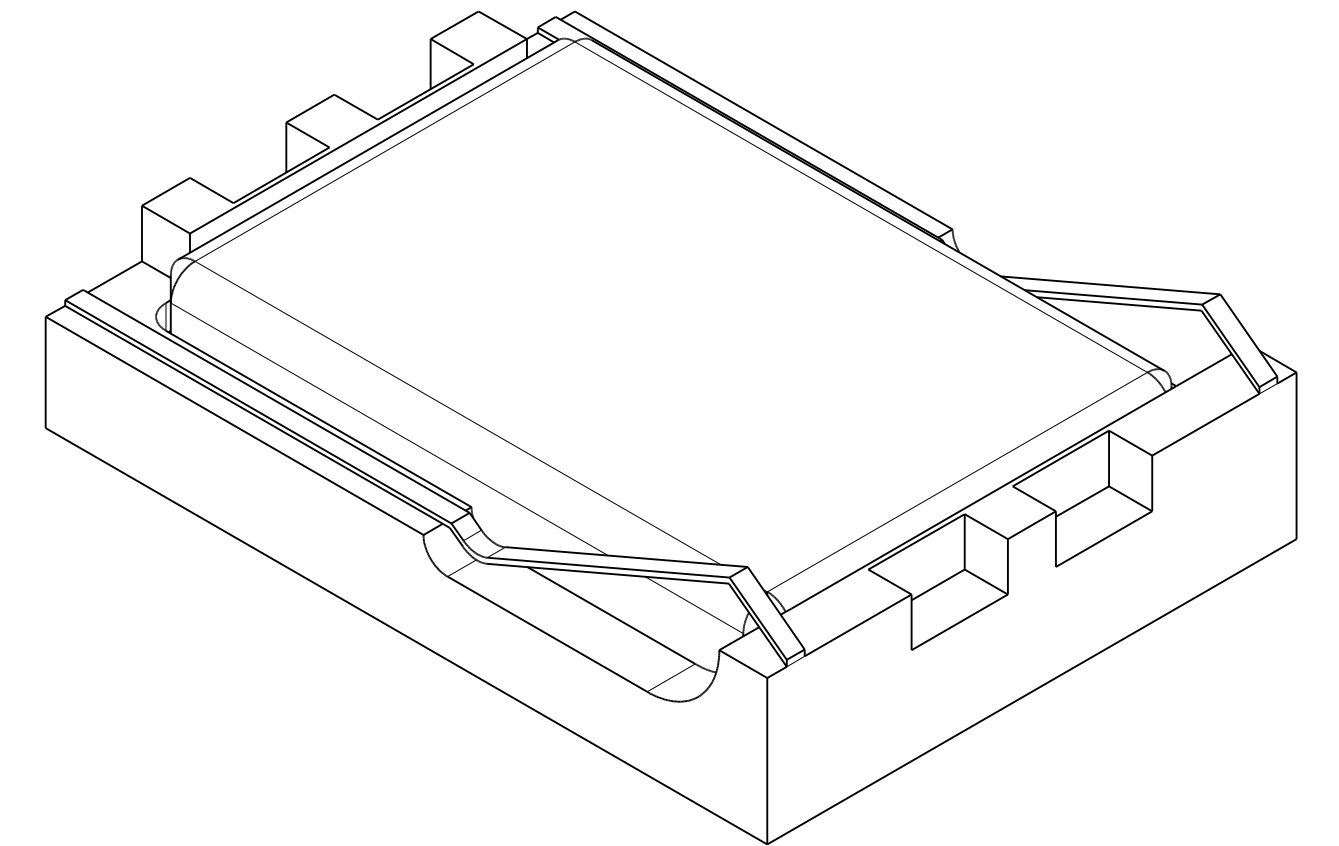
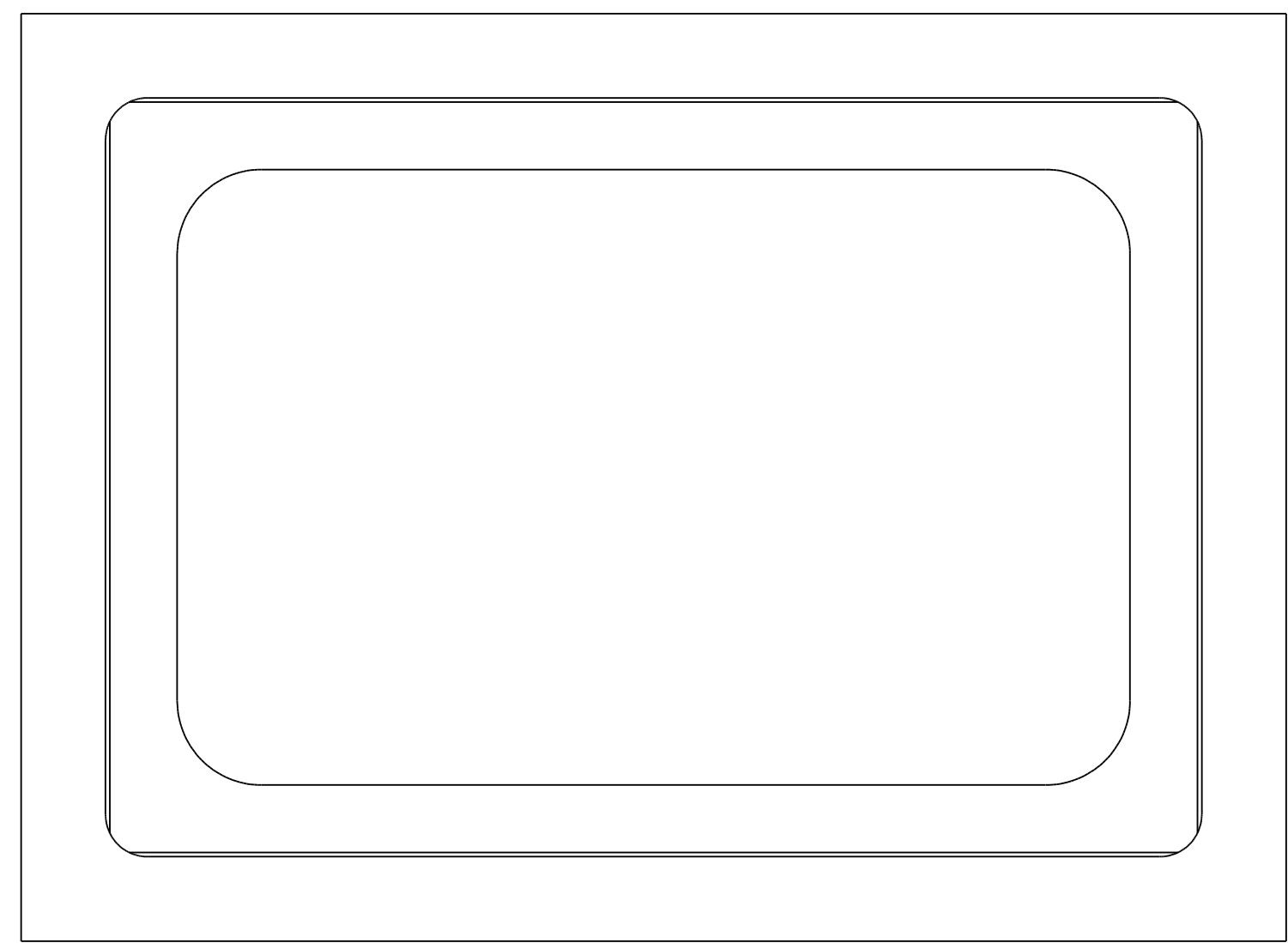
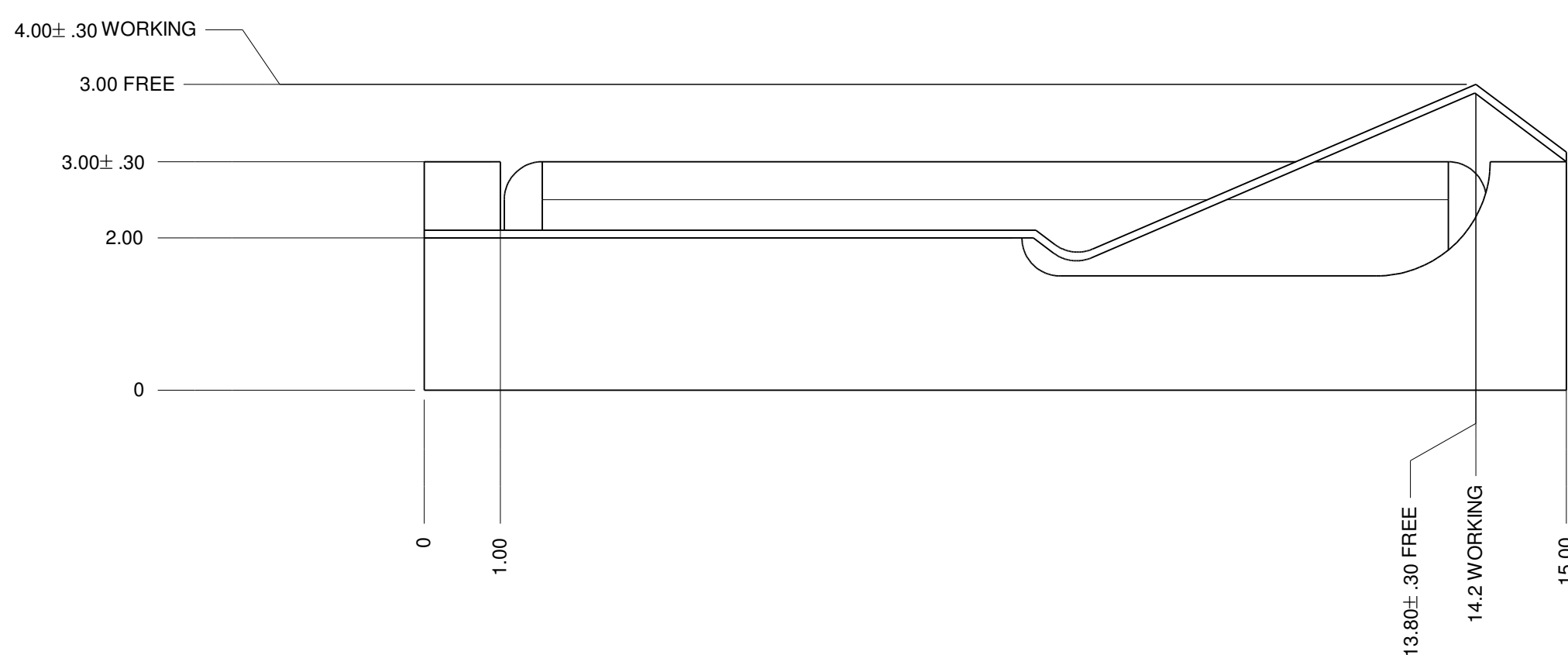
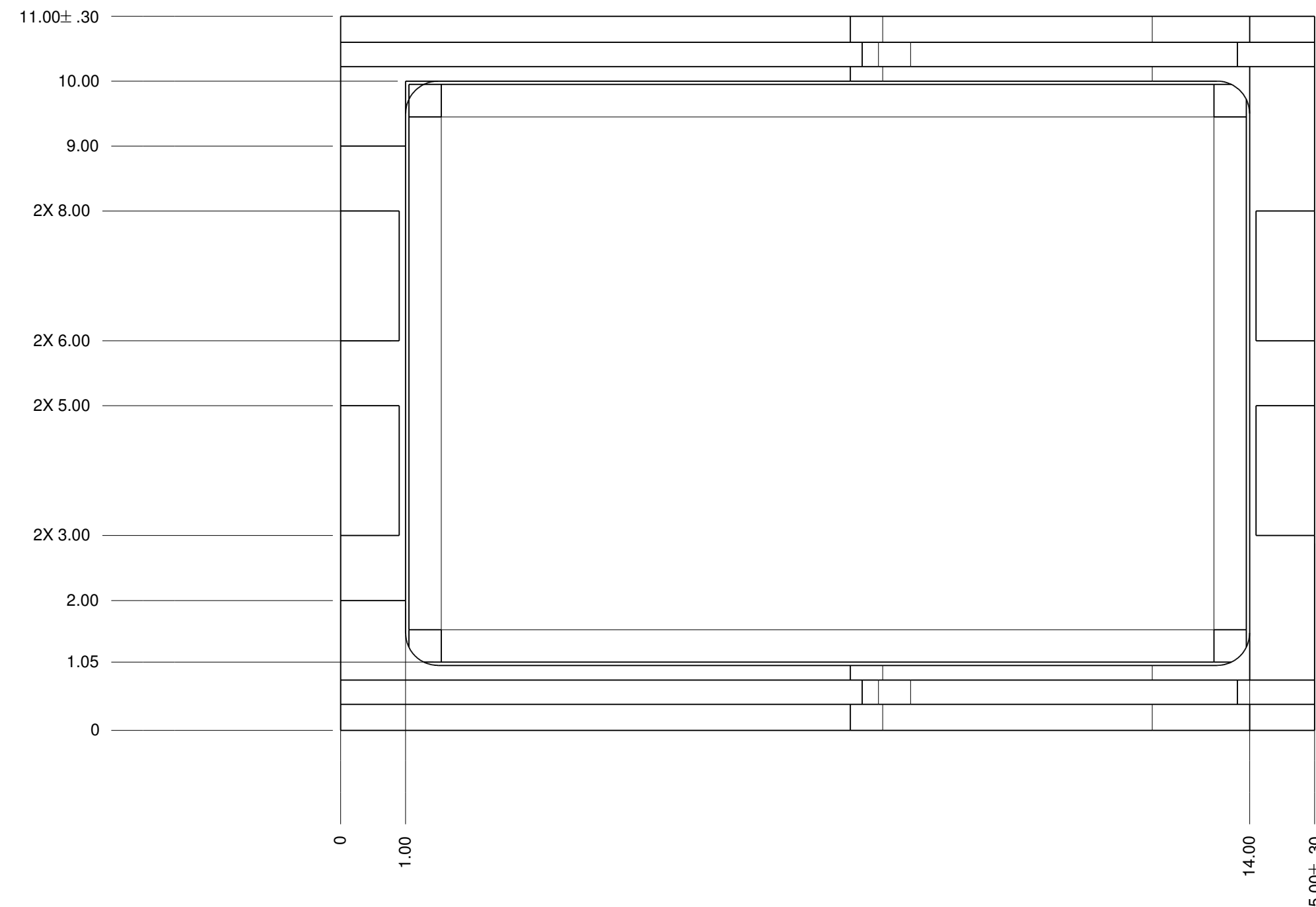


REVISIONS				
ZONE	REV	DESCRIPTION	DATE	APPROVED



No.	Part Name	Material	Quantity
1	U Yoke	SPCC	1
2	Magnet	Nd Fe B	1
3	Plate	SPCC	1
4	Frame +PIN	PPA+SUS	1
5	Voice Coil	Copper wire	1
6	Diaphragm	PEEK	1
7	Cap	PPA	1
8	Spring Terminal	SUS	2



SIZE	FSCM NO.	DWG NO.	REV
D		SP-1511S-6	
SCALE	SHEET		1 OF 1
1:1			