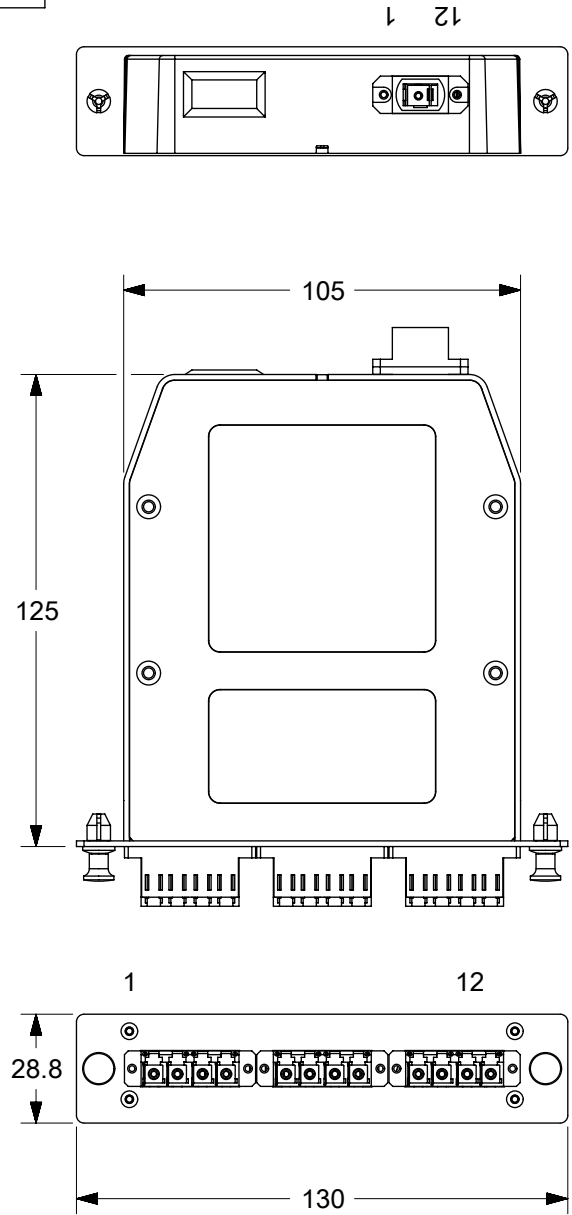
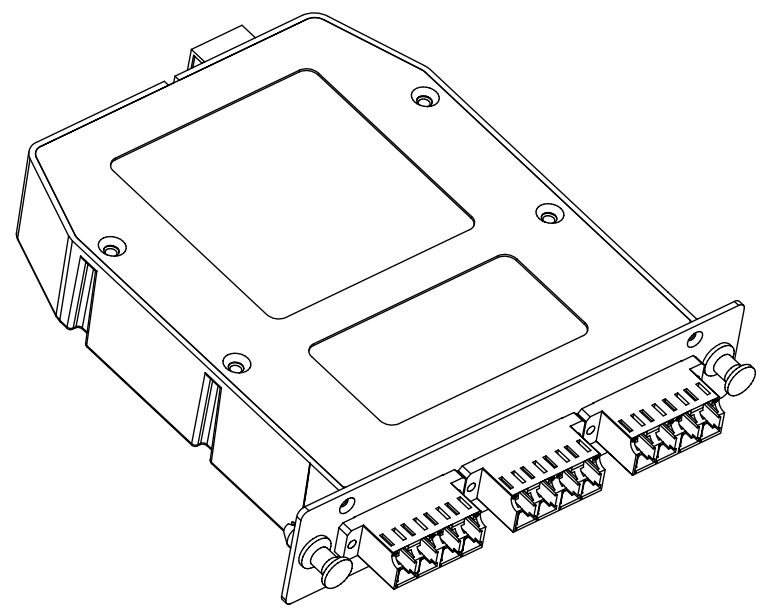


P/N	Fiber Type	Adapter color	Fan-out Type	
			MPO Conn.	LC Conn.
1064810101	SM/G657A	Blue	Male/APC	PC
1064810102	MM-OM3	Aqua	Male/PC	
1064810103	MM-OM4			



1. Product Optical Specification

Item	Parameters	Note	Min.	Typ.	Max.	Unit
1	Operating Wavelength ¹	Single-Mode	1310 / 1550			nm
		Multi-Mode	850			nm
2	Insertion Loss ^{1,2} (MPO side)	Single-Mode Elite			0.35	dB
		Multi-Mode Elite			0.35	
3	Insertion Loss ^{1,2} (Fan-out side)	Single-Mode PC			0.20	dB
		Multi-Mode PC			0.30	
4	Return Loss ^{1,2} (MPO side)	Single-Mode	60			dB
		Multi-Mode	N/A			
5	Return Loss ^{1,2} (Fan-out side)	Single-Mode PC	50			dB
		Multi-Mode PC	N/A			
6	Operating Temperature	---	-20		70	°C

Note:

1. Single-mode loss test to be performed at 1310nm and 1550nm. Multimode loss test to be performed at 850nm. IL and RL must be tested at room temperature. (Multimode RL testing is not required.)
2. Consistent optical performance for multimode (flat protruded polish) and single-mode (Angled protruded polish).

2. Product Channel Identification Table

BACK #1 MPO (1-12)	TOP ROW PANEL	BACK MPO (1-12) PORT	P1	P2	P3	P4	P5	P6	P7	P8	P9	P10	P11	P12
		FRONT LC PORT	P1	P2	P3	P4	P5	P6	P7	P8	P9	P10	P11	P12
		FIBER COLOR	BL	OR	GR	BR	SL	WH	RD	BK	YL	VI	RO	AQ

NOTES:

1. MATERIAL: Plastic.
2. COLOR: BLACK.
3. DIMENSION: 125x105x28.8mm.
4. WEIGHT: 115gm.
5. DUST CAPS ARE NOT SHOWN IN DRAWING.

SYMBOLS	THIS DRAWING CONTAINS INFORMATION THAT IS PROPRIETARY TO MOLEX ELECTRONIC TECHNOLOGIES, LLC AND SHOULD NOT BE USED WITHOUT WRITTEN PERMISSION		CURRENT REV DESC:		
	DIMENSION UNITS	SCALE			
▽ = 0	mm	1:2			EC NO: 178536 DRWN: IGUMIN 2018/06/29 CHK'D: IGUMIN 2018/07/02 APPR: IGUMIN 2018/07/02
▽ = 0	GENERAL TOLERANCES (UNLESS SPECIFIED)				
▽ = 0	ANGULAR TOL ± °				
▽ = 0	4 PLACES ±				
▽ = 0	3 PLACES ±				
▽ = 0	2 PLACES ±				
▽ = 0	1 PLACE ±				
▽ = 0	0 PLACES ±				
▽ = 0	DRAFT WHERE APPLICABLE MUST REMAIN WITHIN DIMENSIONS		THIRD ANGLE PROJECTION	DRAWING	SERIES
▽ = 0				B-SIZE	106481
DOCUMENT STATUS			RELEASE DATE	2018/07/02 15:26:26	PRODUCT CUSTOMER DRAWING DOCUMENT NUMBER: 1064810101 DOC TYPE: PSD DOC PART: 001 REVISION: A
DOCUMENT STATUS			RELEASE DATE	2018/07/02 15:26:26	SHEET NUMBER: 1 OF 1