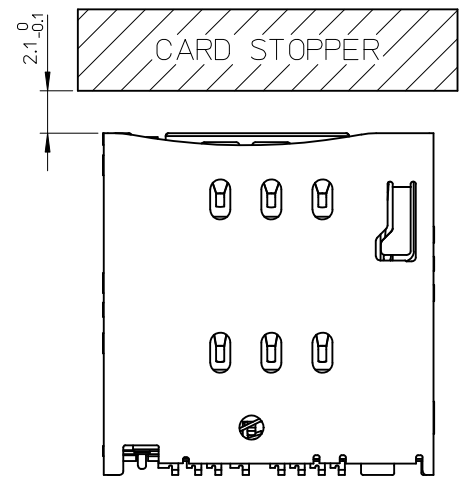
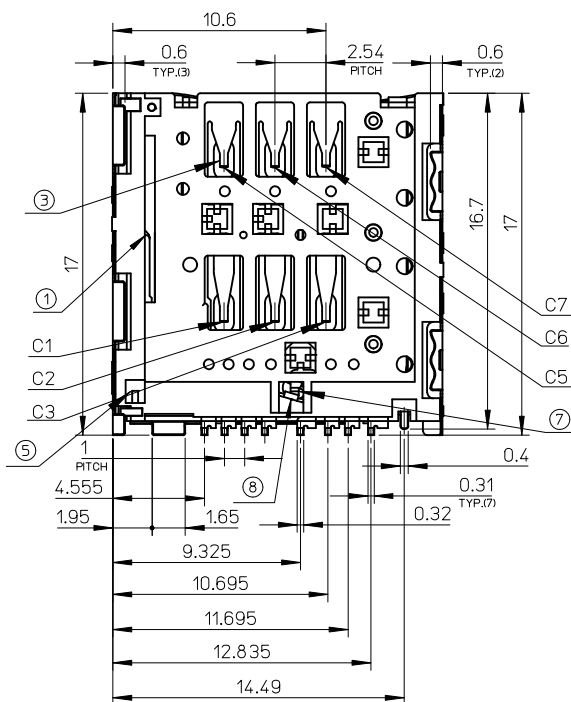
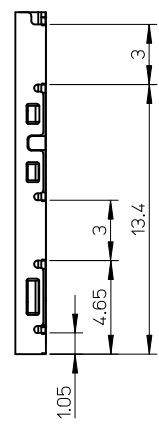
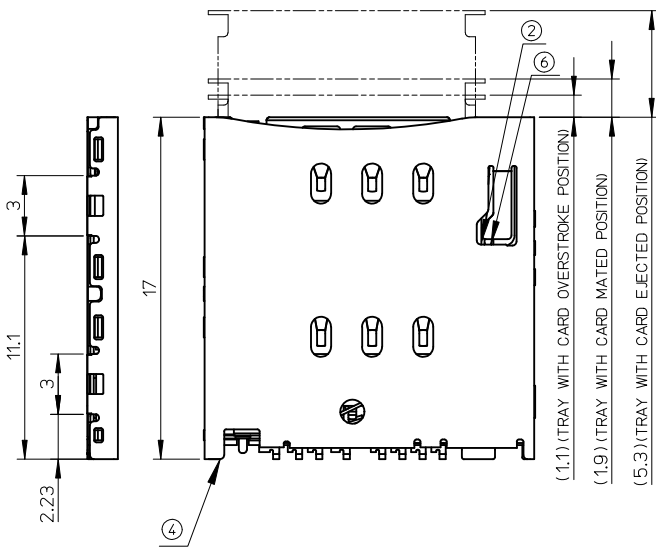
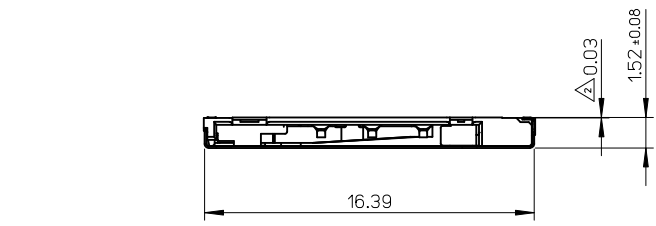


NOTES :

1. TERMINAL AND NAIL COPLANARITY TO BE 0.08 MAXIMUM. (FROM GAUGE PLANE)
2. Δ STAND OFF DIMENSION (STAND OFF DIMENSION IS INCLUDED IN THE CONNECTOR TOTAL HEIGHT.)
3. DETECT SWITCH

CARD POSITION	DETECT SWITCH
NO TRAY WITH CARD	CLOSE
TRAY WITH CARD EJECTED POSITION	CLOSE
TRAY WITH CARD MATED POSITION	OPEN

4. ELV & RoHS COMPLIANT.
5. Δ PATTERN KEEP OUT AREA
6. (DIMENSION) : REFERENCE VALUE (IT IS NOT A MANAGEMENT DIMENSION)
7. APPLICABLE METAL TRAY : 504040-0009
8. CAVITY IS TO BE OPTIONAL.



RECOMMENDED CARD STOPPER POSITION

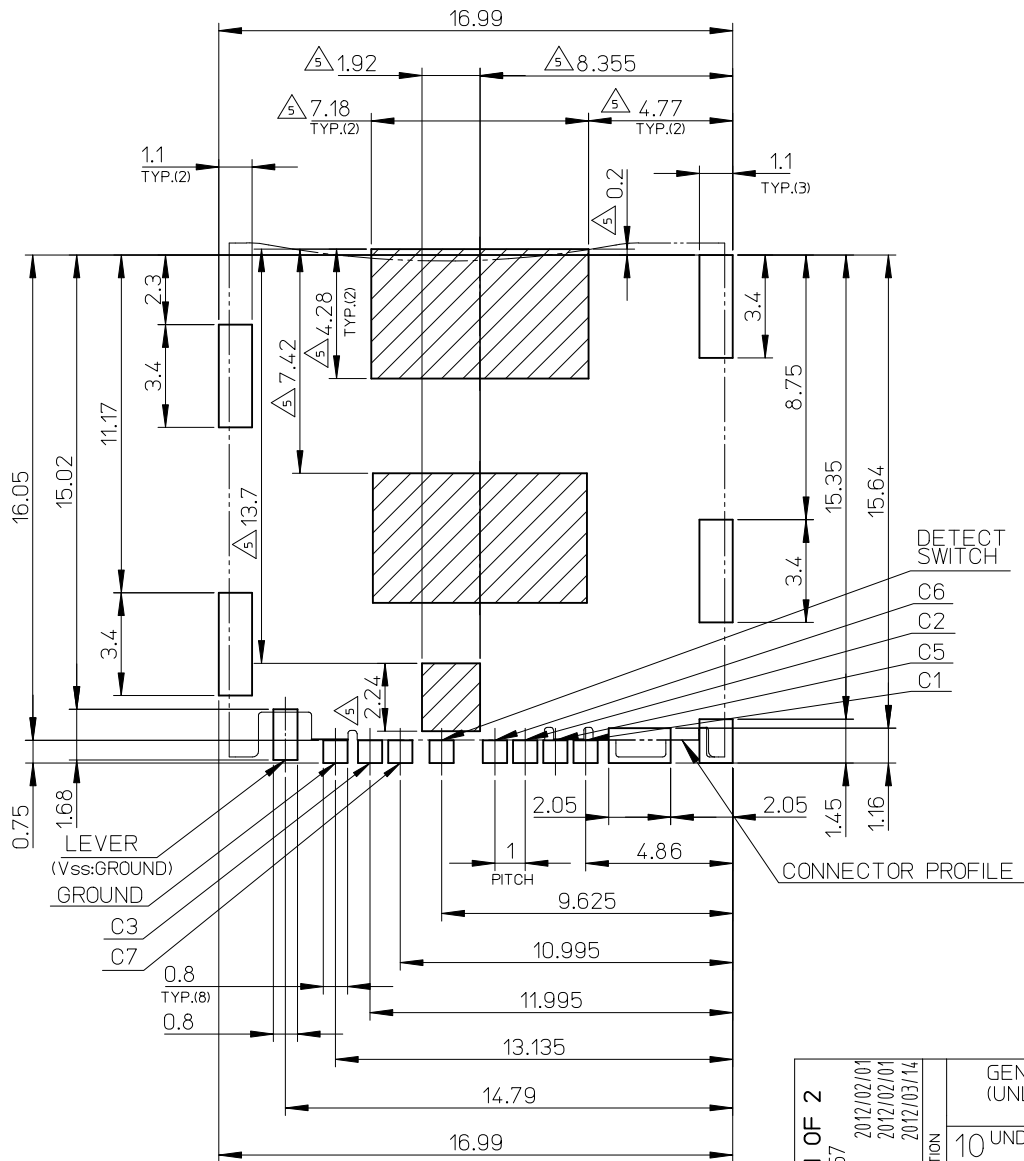
504030-0691	6
EMBOSSD TAPE PACKAGE	CIRCUITS
ORDER No.	
CONNECTOR series 504030-****	

RELEASED EC NO: J2012-1057 DRWN: MTAKASAKI 2012/02/01 CHKD: KASAKAWA 2012/02/01 APPR: YOITO 2012/03/14	DESCRIPTION	GENERAL TOLERANCES (UNLESS SPECIFIED)	DIMENSION STYLE	SCALE	DESIGN UNITS	THIRD ANGLE PROJECTION
	REV	10 UNDER ± 0.2	MM ONLY	4:1	METRIC	
		10 OVER 30 UNDER ± 0.25				
		30 OVER ± 0.3				
		ANGULAR ± 1 °				
		DRAFT WHERE APPLICABLE MUST REMAIN WITHIN DIMENSIONS				
			SIZE A3			
			THIS DRAWING CONTAINS INFORMATION THAT IS PROPRIETARY TO MOLEX INCORPORATED AND SHOULD NOT BE USED WITHOUT WRITTEN PERMISSION			

TITLE
**MICRO SIM CARD CONNECTOR
 PUSH/PUSH WITH TRAY TYPE
 ASSY**

MOLEX INCORPORATED

DOCUMENT NO. **SD-504030-001** SHEET NO. **1 OF 2**



No.	NAME	MATERIAL	FINISH
①	HOUSING	LIQUID CRYSTAL POLYMER UL94V-0, BLACK	N/A
②	CAM SLIDER	LIQUID CRYSTAL POLYMER UL94V-0 BLACK	N/A
③	TERMINAL	COPPER ALLOY	CONTACT AREA : GOLD 0.5 MICROMETER MINIMUM TAIL AREA : GOLD 0.02 MICROMETER MINIMUM UNDER PLATING : NICKEL 1.0 MICROMETER MINIMUM
④	SHELL	COPPER ALLOY	N/A
⑤	COL SPRING	SWP	NICKEL ALL OVER
⑥	PIN	STAINLESS STEEL	N/A
⑦	DETECT SWITCH	COPPER ALLOY	CONTACT AREA : GOLD 0.2 MICROMETER MINIMUM TAIL AREA : GOLD 0.02 MICROMETER MINIMUM UNDER PLATING : NICKEL 1.0 MICROMETER MINIMUM
⑧	LEVER	COPPER ALLOY	CONTACT AREA : GOLD 0.2 MICROMETER MINIMUM TAIL AREA : GOLD 0.02 MICROMETER MINIMUM UNDER PLATING : NICKEL 1.0 MICROMETER MINIMUM

RECOMMENDED PCB PATTERN LAYOUT
(GENERAL TOLERANCE : +/-0.05)

: PATTERN KEEP OUT AREA

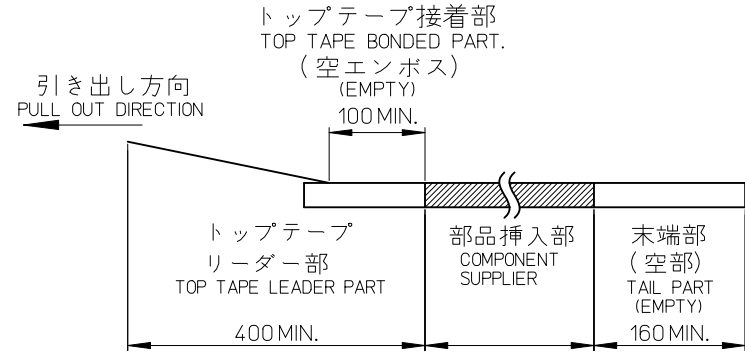
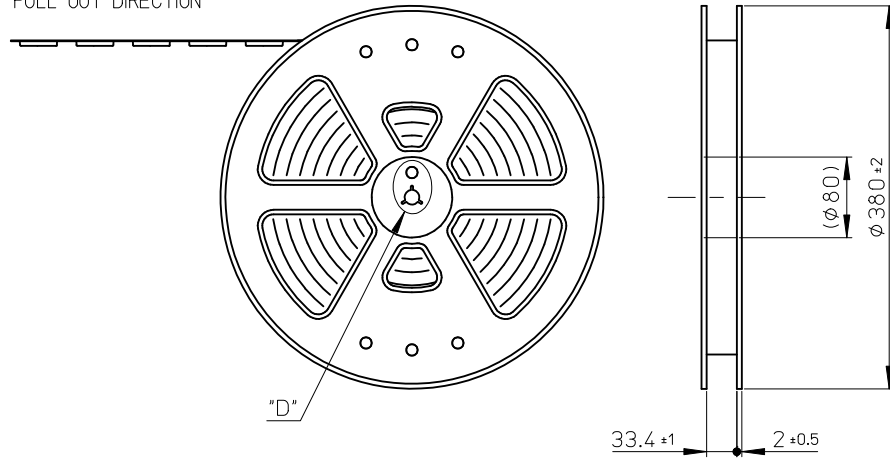
SEE SHEET 1 OF 2 EC NO.: J2012-1057 DRAWN: MTAKASAKI 2012/02/01 CHKD: KASAKAWA 2012/02/01 APPR: YOITO 2012/03/14	GENERAL TOLERANCES (UNLESS SPECIFIED)		DIMENSION STYLE MM ONLY	SCALE 6:1	DESIGN UNITS METRIC	THIRD ANGLE PROJECTION
	10 UNDER	±0.2	DRAWN BY MTAKASAKI	DATE 2012/02/01	TITLE MICRO SIM CARD CONNECTOR PUSH/PUSH WITH TRAY TYPE ASSY	
	10 OVER 30 UNDER	±0.25	CHECKED BY KASAKAWA	DATE 2012/02/01	MOLEX INCORPORATED	
	30 OVER	±0.3	APPROVED BY YOITO	DATE 2012/03/14	DOCUMENT NO. SD-504030-001	SHEET NO. 2 OF 2
ANGULAR ±1 °	DRAFT WHERE APPLICABLE MUST REMAIN WITHIN DIMENSIONS	MATERIAL NO. SEE SHEET 1 OF 2	THIS DRAWING CONTAINS INFORMATION THAT IS PROPRIETARY TO MOLEX INCORPORATED AND SHOULD NOT BE USED WITHOUT WRITTEN PERMISSION			

NOTES

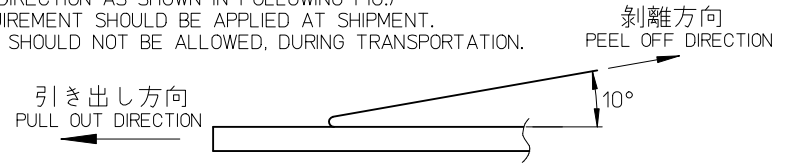
CONFIDENTIAL

- 製品詳細寸法については、SD 図面を参照下さい。
RE DETAILED DIMENSION, SEE SALES DRAWING.
- 梱包数量：1500 個／リール
NUMBER OF CONNECTORS：1500 PCS/REEL.
- リードテープ長さ LEAD TAPE LENGTH.

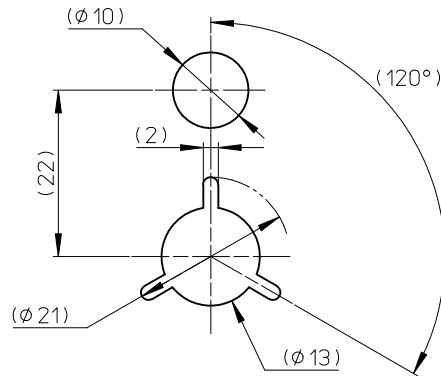
引き出し方向
PULL OUT DIRECTION



- トップテープの剥離強度：JIS C0806-3に準拠(剥離方向は下図参照)尚、本規格値は出荷時に適用。(但し、輸送時に剥離が発生しないこと。)
PEELING OFF FORCE OF TOP TAPE：BASED UPON JIS C0806-3 (PEELING DIRECTION AS SHOWN IN FOLLOWING FIG.) THIS REQUIREMENT SHOULD BE APPLIED AT SHIPMENT. PEEL OFF SHOULD NOT BE ALLOWED, DURING TRANSPORTATION.



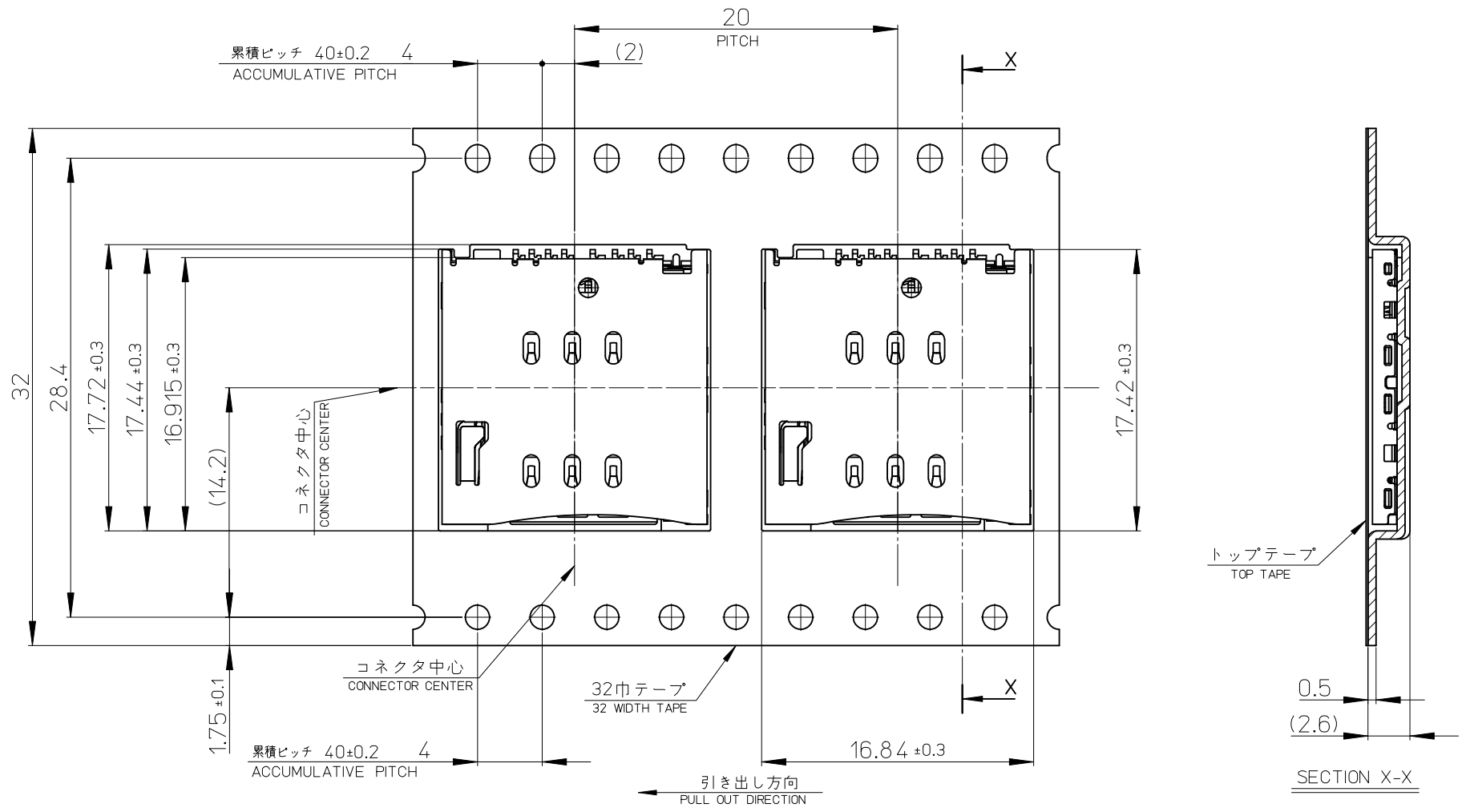
- 材料 MATERIAL
キャリアテープ (CARRIER TAPE)：ポリスチレン (POLYSTYRENE)
トップテープ (TOP TAPE)：PET, OTHER
リール (REEL)：ポリスチレン (PS) <リサイクル材含む>
POLYSTYRENE (PS) <RECYCLE MATERIAL CONTAINED>



DETAIL "D"

504030-0691	6
EMBOSSED PACKAGE	極数
オーダー番号 ORDER NO.	CIRCUITS
CONNECTOR SERIES No. 504030-****	

RELEASED EC NO.: J2012-1057 DRWN: MTAKASAKI 2012/02/01 CHKD: KASAKAWA 2012/02/01 APPR: YOITO 2012/03/14 REV: 0	GENERAL TOLERANCES (UNLESS SPECIFIED)		DIMENSION STYLE MM ONLY		SCALE ---	DESIGN UNITS METRIC	THIRD ANGLE PROJECTION
	10 UNDER	±0.2	DRAWN BY MTAKASAKI	DATE 2012/02/01	TITLE MICRO SIM CARD CONNECTOR PUSH/PUSH WITH TRAY TYPE EMBOSSED TAPE PACKAGE		
	10 OVER 30 UNDER	±0.25	CHECKED BY KASAKAWA	DATE 2012/02/01	MOLEX INCORPORATED		
	30 OVER	±0.3	APPROVED BY YOITO	DATE 2012/03/14	MATERIAL NO. SEE CHART	DOCUMENT NO. SD-504030-002	SHEET NO. 1 OF 2
ANGULAR ±1 °		DRAFT WHERE APPLICABLE MUST REMAIN WITHIN DIMENSIONS		THIS DRAWING CONTAINS INFORMATION THAT IS PROPRIETARY TO MOLEX INCORPORATED AND SHOULD NOT BE USED WITHOUT WRITTEN PERMISSION			



SEE SHEET 1 OF 2 EC NO: J2012-1057 DRWN: MTAKASAKI 2012/02/01 CHKD: KASAKAWA 2012/02/01 APPR: YOITO 2012/03/14	GENERAL TOLERANCES (UNLESS SPECIFIED)		DIMENSION STYLE MM ONLY		SCALE ---	DESIGN UNITS METRIC	THIRD ANGLE PROJECTION	
	10 UNDER	±0.2	DRAWN BY MTAKASAKI	DATE 2012/02/01	TITLE MICRO SIM CARD CONNECTOR PUSH/PUSH WITH TRAY TYPE EMBOSSD TAPE PACKAGE			
	10 OVER 30 UNDER	±0.25	CHECKED BY KASAKAWA	DATE 2012/02/01	MOLEX INCORPORATED			
	30 OVER	±0.3	APPROVED BY YOITO	DATE 2012/03/14	MATERIAL NO. SEE SHEET 1 OF 2		DOCUMENT NO. SD-504030-002	SHEET NO. 2 OF 2
	ANGULAR ±1 ° DRAFT WHERE APPLICABLE MUST REMAIN WITHIN DIMENSIONS		THIS DRAWING CONTAINS INFORMATION THAT IS PROPRIETARY TO MOLEX INCORPORATED AND SHOULD NOT BE USED WITHOUT WRITTEN PERMISSION					