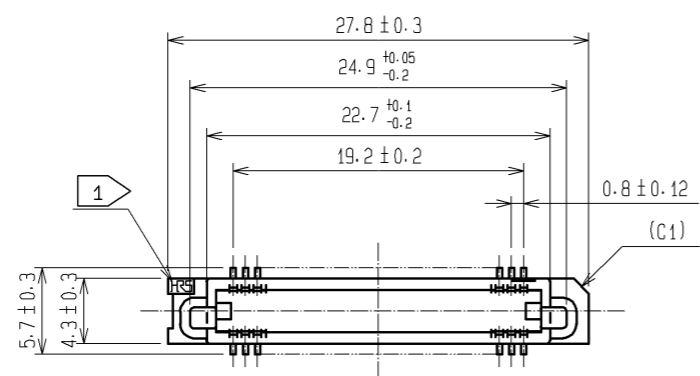
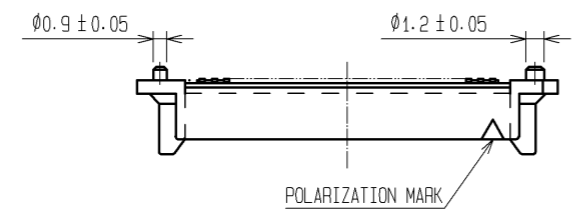
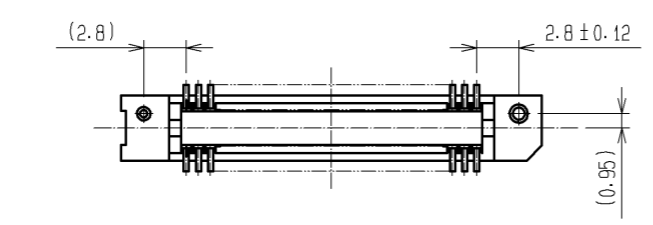
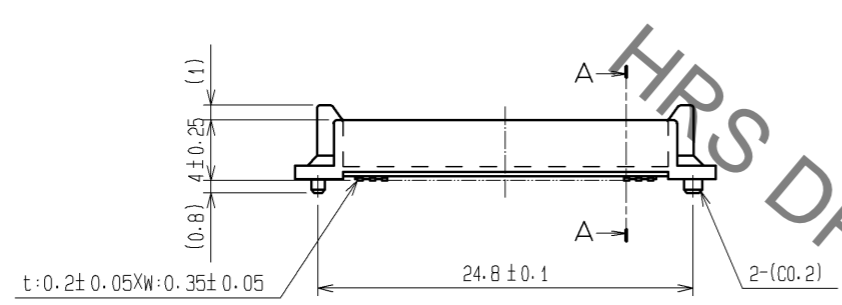
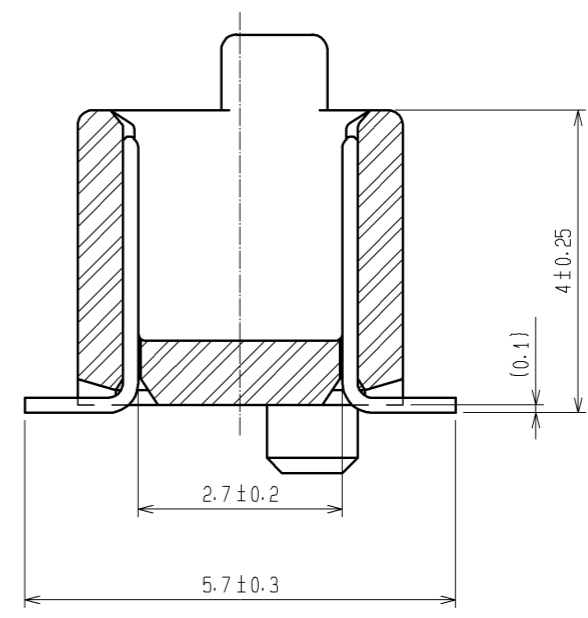


May.1.2023 Copyright 2023 HIROSE ELECTRIC CO., LTD. All Rights Reserved.
In case of consideration for using Automotive equipment / device which demand high reliability, kindly contact our sales window correspondents.

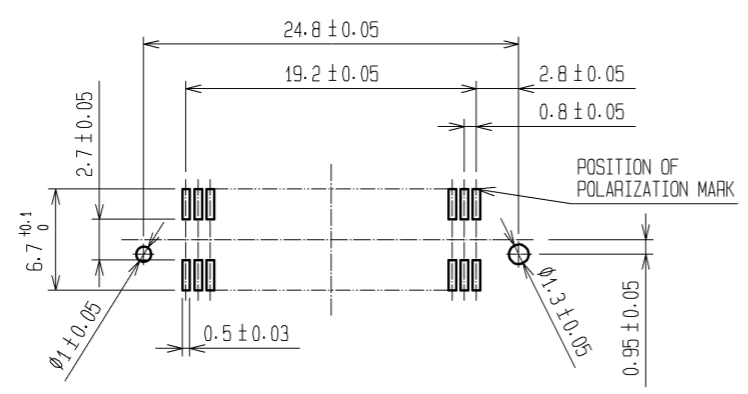


A-A (10:1)



- NOTE
- 1 HRS MARK SHALL BE OPTIONAL.
 - 2 LEAD CO-PLANARITY SHALL BE 0.1mm MAX.
 - 3 EMBOSSED CARRIER TAPE PACKAGING SHALL BE APPLIED TO THIS PRODUCT. SEE NEXT PAGE FOR DETAILS.
 - 4 THIS PRODUCT HAS TAPE FOR VACUUM PICKUP. SEE NEXT PAGE FOR DETAIL OF STICKING POSITION, ETC.
 - 5 FOR MODIFICATION, ETC. PREVENTIVE HOLE FOR SINK MARK MAY BE ADDED ACCORDING TO CIRCUMSTANCES.
 - 6 THE DIMENSIONS IN PARENTHESES ARE FOR REFERENCE.

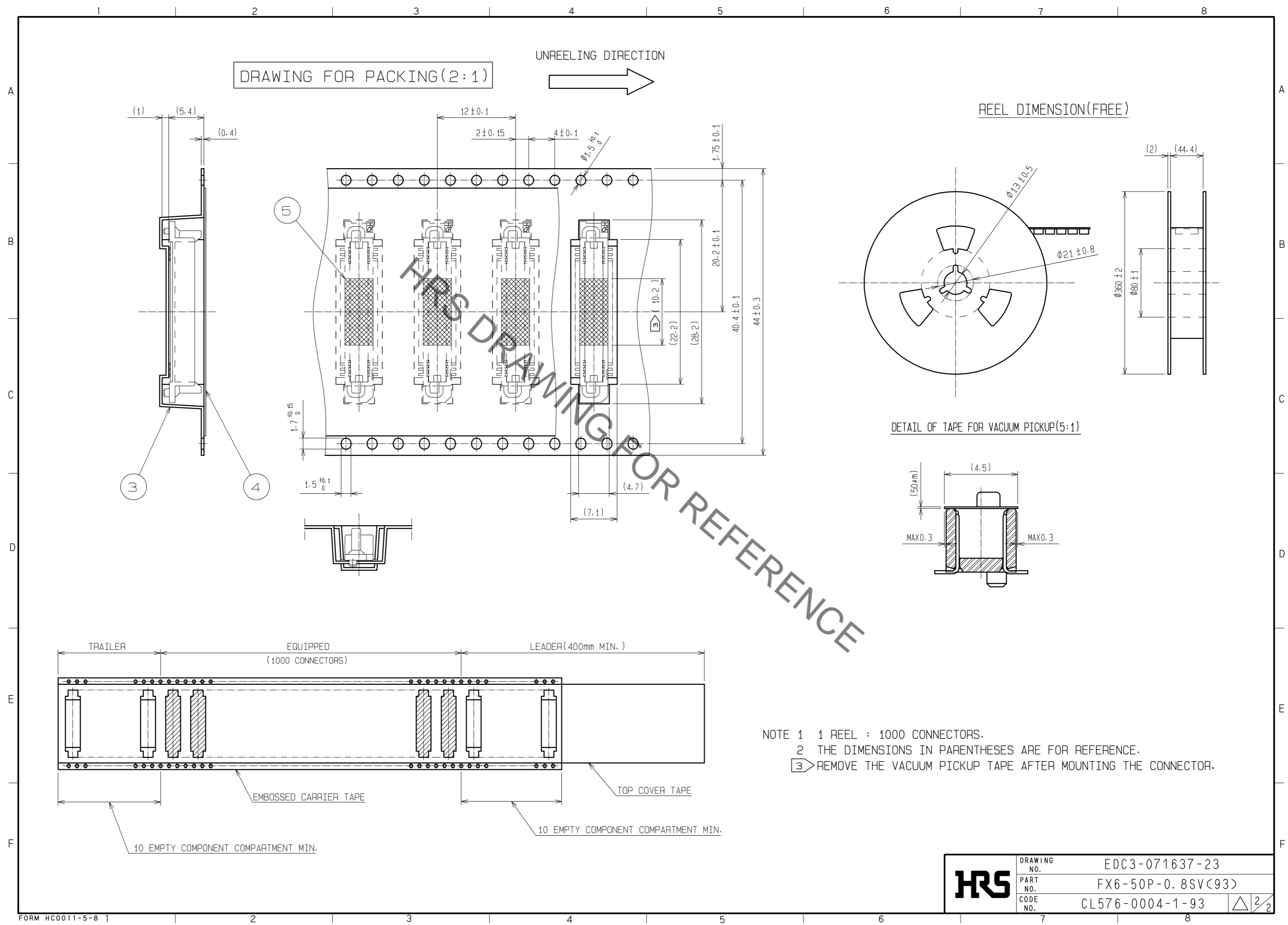
RECOMMENDED LAND PATTERN DIMENSION OF PCB (MOUNTING SIDE)
(RECOMMENDED METAL MASK THICKNESS: t=0.15)



NO.	MATERIAL	FINISH	REMARKS	NO.	MATERIAL	FINISH	REMARKS
5	POLYIMIDE		TAPE FOR VACUUM PICKUP	2	PHOSPHOR BRONZE		CONTACT AREA:GOLD 0.1μm min.
4	POLYESTER		TOP COVER TAPE				LEAD AREA:GOLD FLASH
3	POLYSTYRENE		EMBOSSED CARRIER TAPE				UNDER PLATING:NICKEL 1μm min.
1	PPS		LIGHT BROWN UL94V-0				

UNITS	SCALE	COUNT	DESCRIPTION OF REVISIONS	DESIGNED	CHECKED	DATE
mm	2:1	△				
APPROVED : HS. OKAWA			08.04.15	DRAWING NO. EDC3-071637-23		
CHECKED : HS. OZAWA			08.04.15	PART NO. FX6-50P-0.8SV(93)		
DESIGNED : KY. NAKAMURA			08.04.15	CODE NO. CL576-0004-1-93		
DRAWN : TP. MATSUMOTO			08.04.14	1/2		

May.1.2023 Copyright 2023 HIROSE ELECTRIC CO., LTD. All Rights Reserved.
 In case of consideration for using Automotive equipment / device which demand high reliability, kindly contact our sales window correspondents.



- NOTE 1 1 REEL : 1000 CONNECTORS.
 2 THE DIMENSIONS IN PARENTHESES ARE FOR REFERENCE.
 3 REMOVE THE VACUUM PICKUP TAPE AFTER MOUNTING THE CONNECTOR.

HRS	DRAWING NO.	EDC3-071637-23	2/2
	PART NO.	FX6-50P-0.8SV(93)	
	CODE NO.	CL576-0004-1-93	