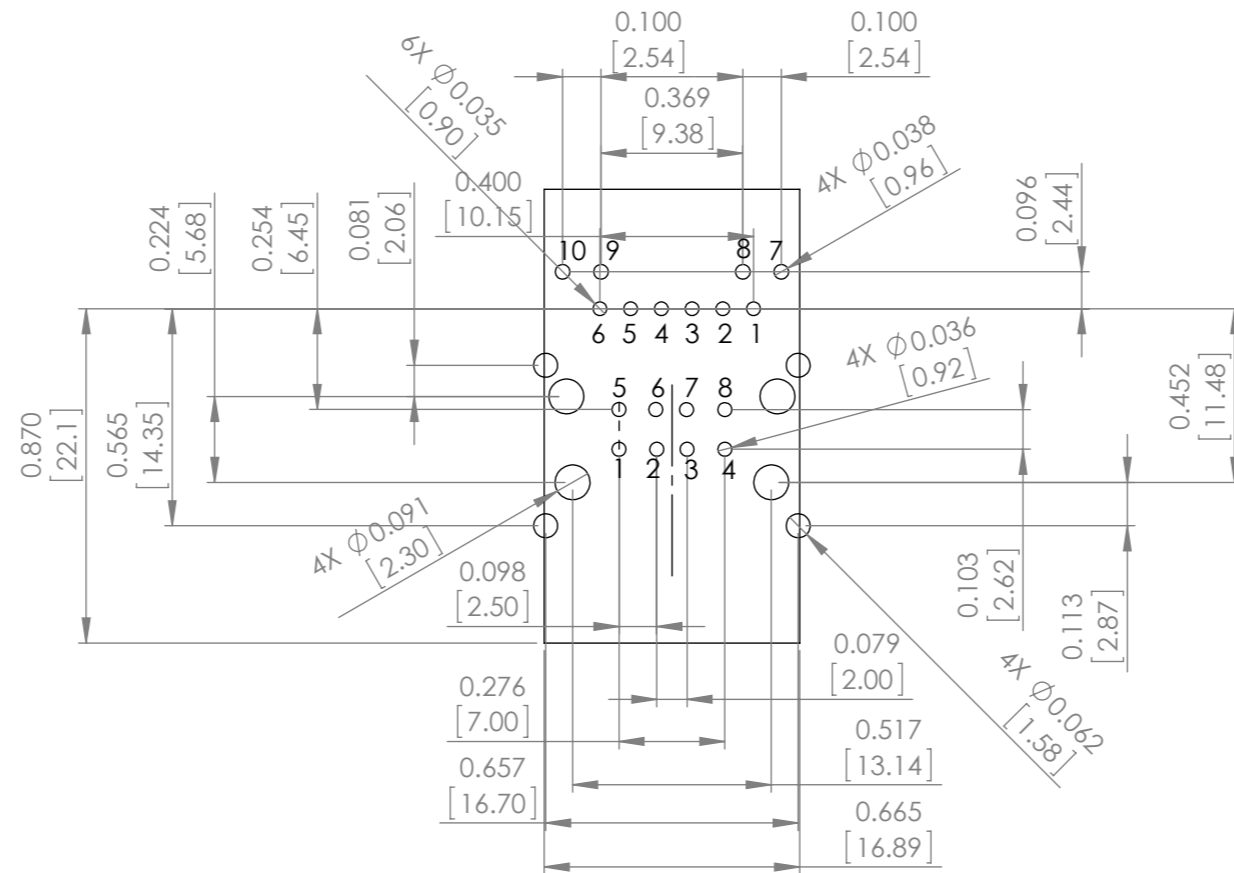
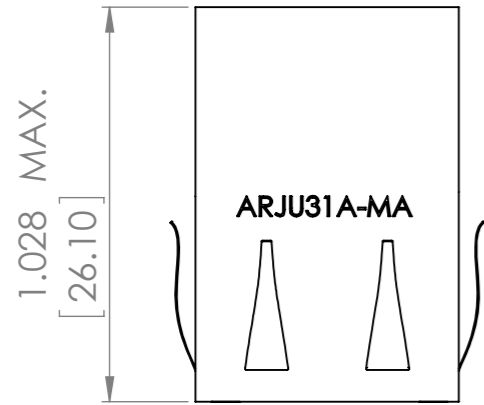
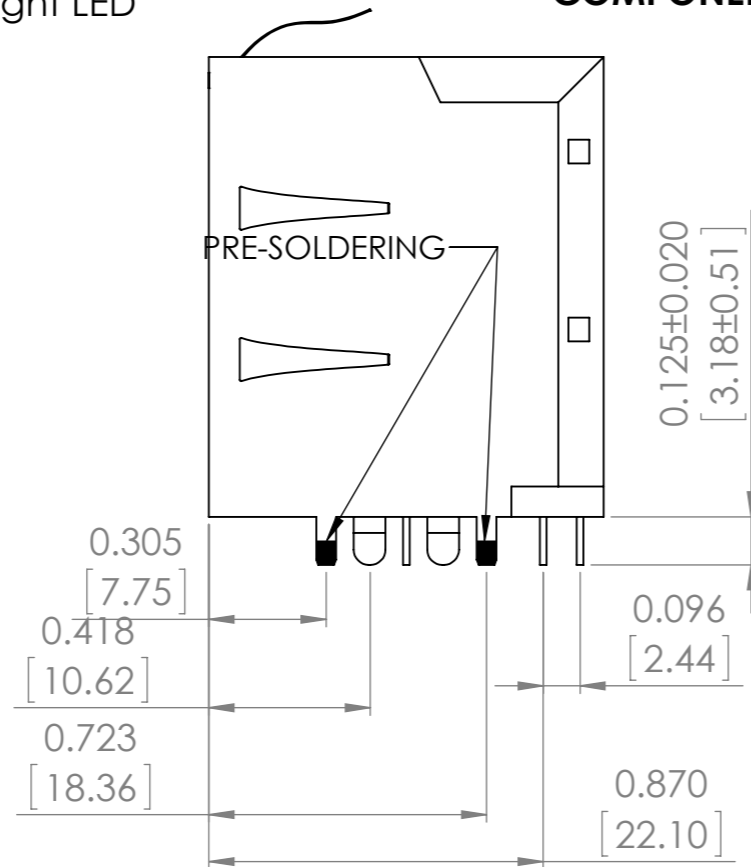
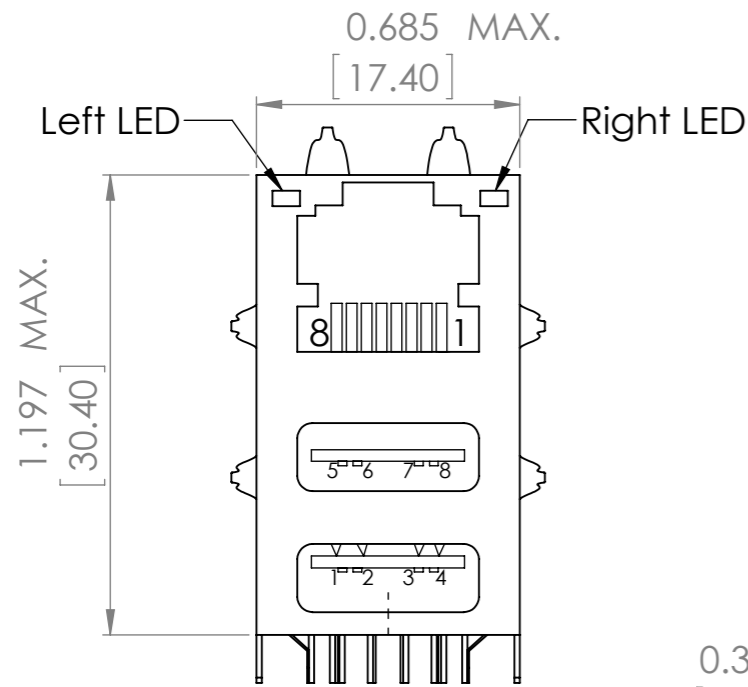
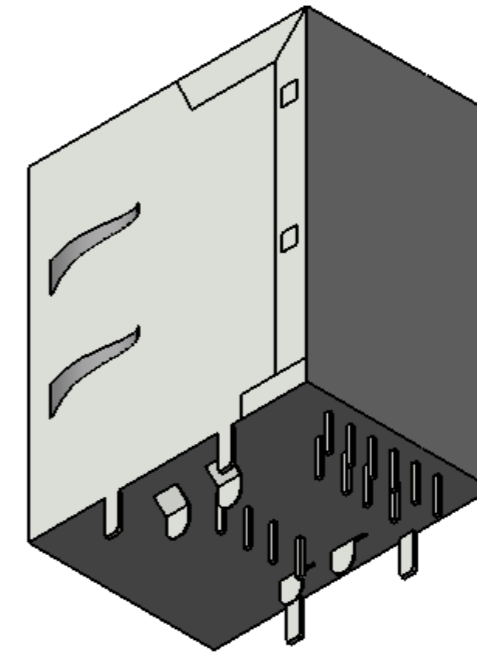



**MA**



**PC BOARD LAYOUT  
COMPONENT SIDE SHOWN**



UNLESS OTHERWISE SPECIFIED: DIMENSIONS ARE IN MM SURFACE FINISH: TOLERANCES: LINEAR: ANGULAR:				FINISH:		DEBUR AND BREAK SHARP EDGES		DO NOT SCALE DRAWING		REVISION	
								 30332 Esperanza, Rancho Santa margarita, California 92688		TITLE: RJ45	
DRAWN SAAZVAT				SIGNATURE		DATE					
CHK'D XXXXXX											
APPV'D											
MFG											
Q.A						MATERIAL:					
						WEIGHT:		SCALE:2:1		SHEET 1 OF 1	