

Type BLR-506

Fuse Block

6 Pole – Regular Auto Blade

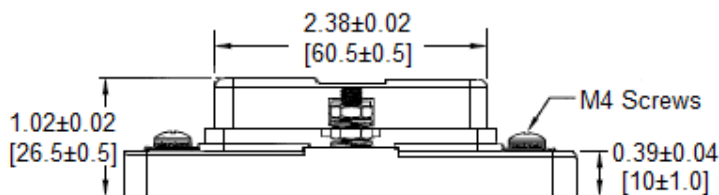
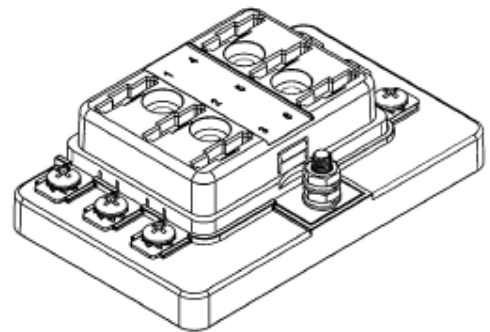
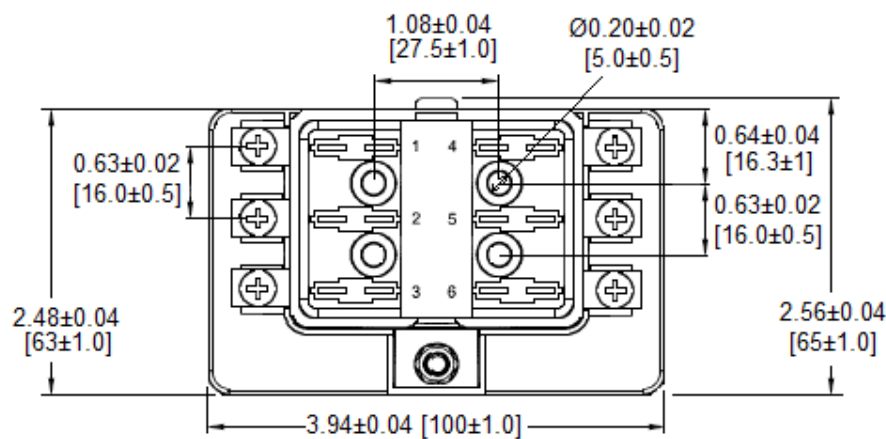


www.optifuse.com (619) 593-5050

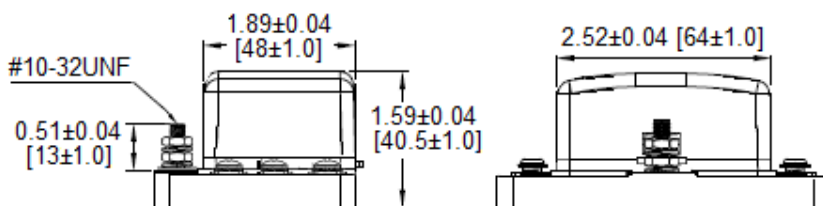
Specifications:

- Voltage:** 32 VDC
- Max Current Rating:** 30A per Circuit - 100A Max Input
- Fuse Type:** Regular Auto Blade – APR / ANR
- Base:** PBT (UL flame: 94V-0), Black
- Cover:** PC (UL flame: 94V-2), Transparent
- Push Button:** POM (White)
- Terminals:** Copper, Tin plated
- Temperature Rating:** -20° C ~ +85° C

Mechanical Dimensions: Inches [mm]



Connection Pad Option Available
Input wire size: #4-6 AWG
Output wire size: #12-16 AWG



Mounting Holes	Terminal Dimensions

Warning:



- Operation beyond the specified maximum ratings or improper use may result in damage and possible electrical arcing and/or flame.
- Avoid contact of device with chemical solvent. Prolonged contact may damage the device performance.