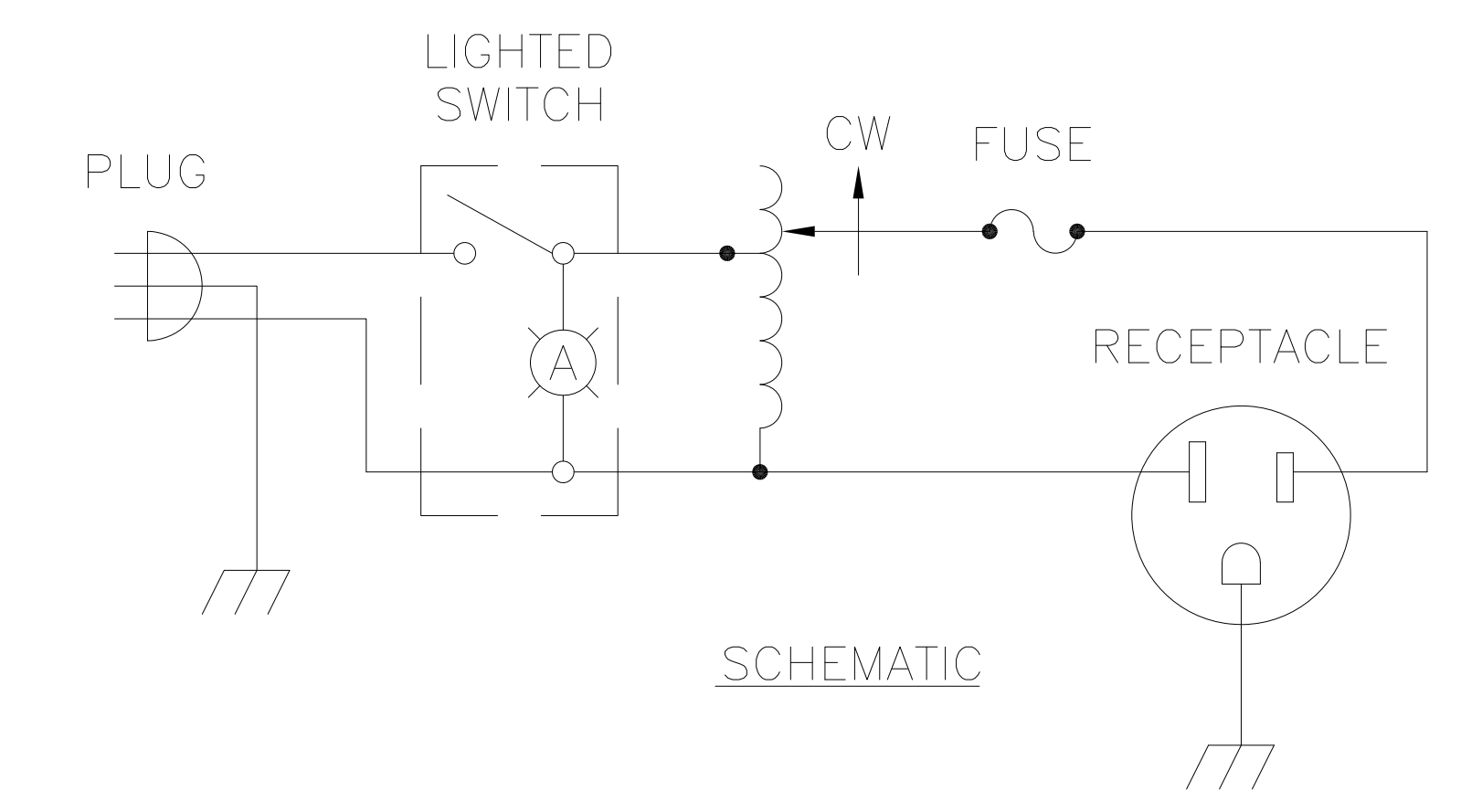
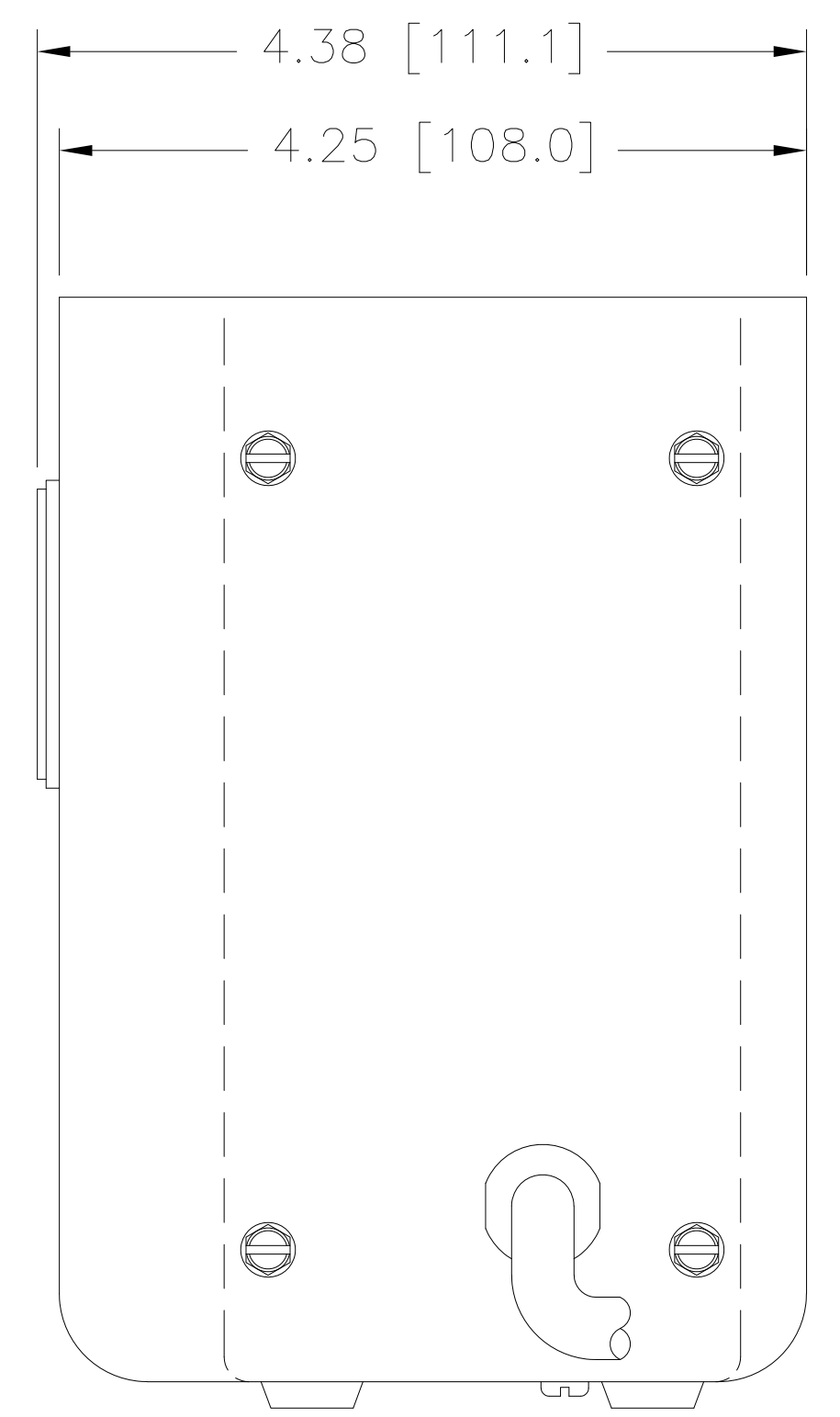
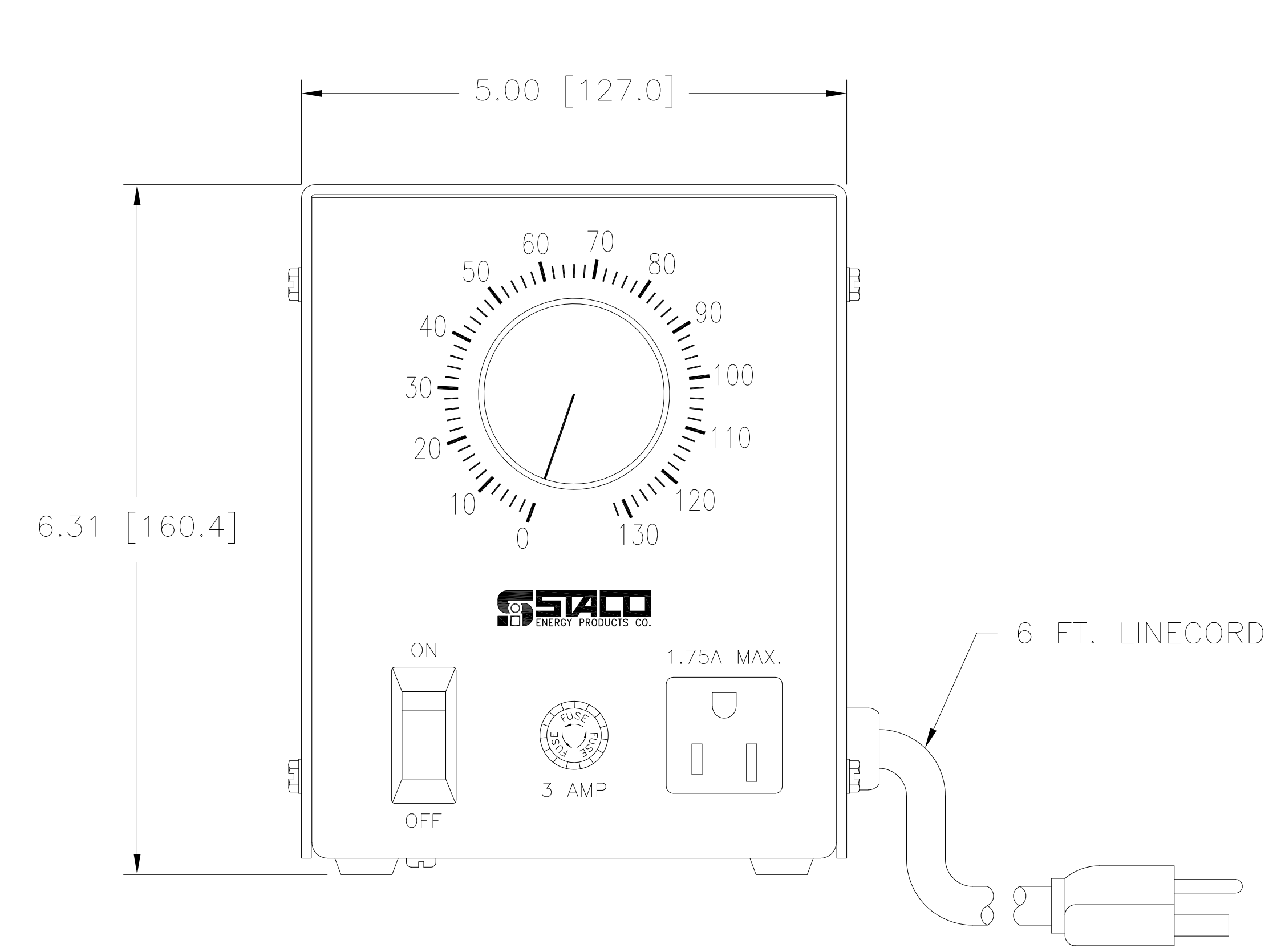
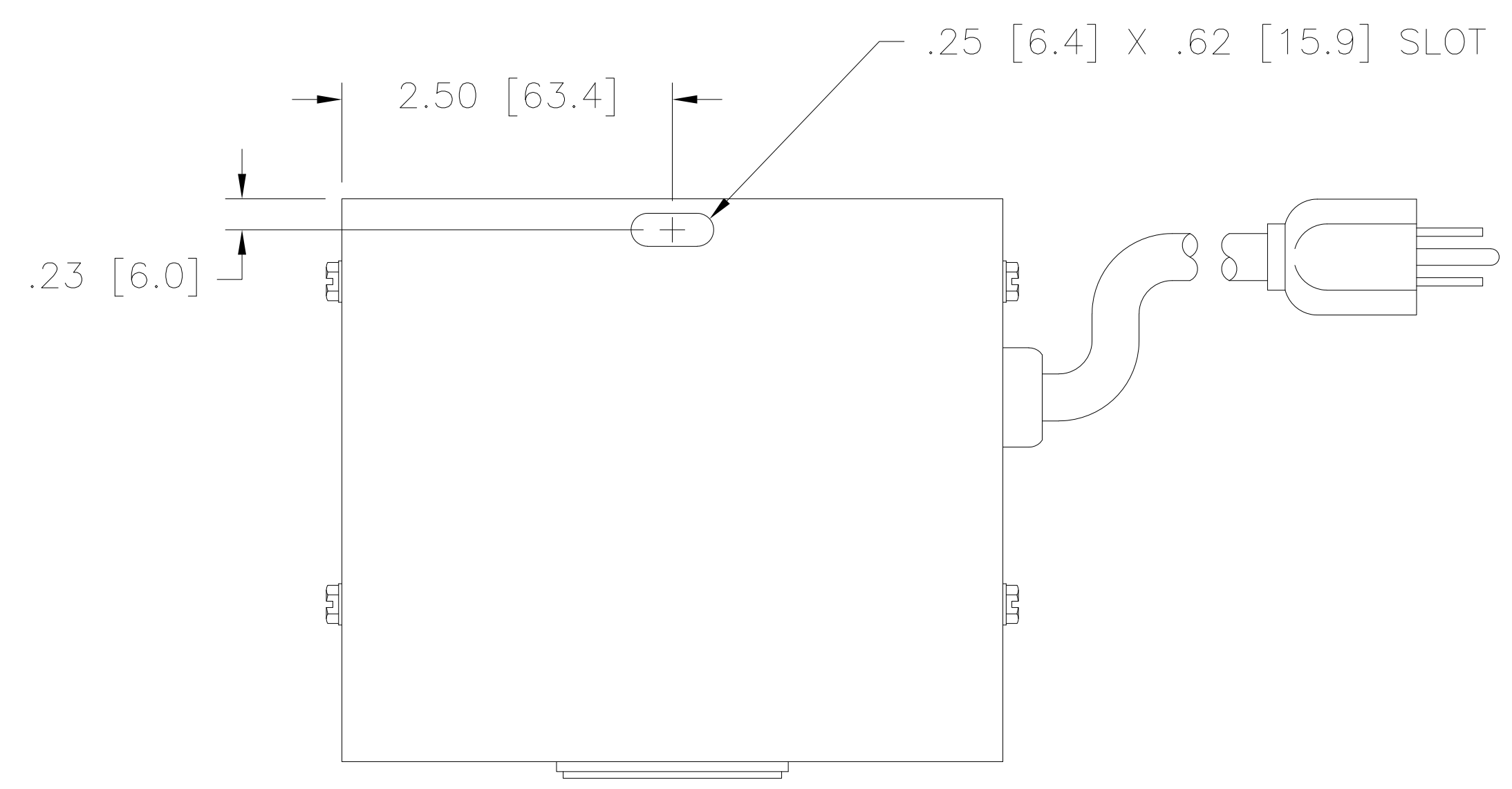


DWG. NO.	065-1025		
REVISIONS			
SYM.	E.C.O.	DATE	APVD.
A	24794	4/9/02	
REVISED HARDWARE			
B	29424	5/19/20	
REVD KNOB			



SPECIFICATIONS					
WIRING	INPUT		OUTPUT		
	VOLTS	HERTZ	VOLTS	CONSTANT CURRENT LOAD	
SINGLE PHASE	120	60	0-132	MAX. AMPS	MAX. KVA
				1.75	0.23

UNLESS OTHERWISE SPECIFIED, TOLERANCE IS ±		UNITS		TITLE:			
DECIMALS	HOLES	ANGLES	DRAFT	IN [mm]			
.XX	.0010	.01	1°	1-1/2°			
MATERIAL:		ALL DIMENSIONS APPLY AFTER PLATING		DRAWN BY		STACO ENERGY PRODUCTS CO. <small>A Components Corporation of America Company</small> 2425 Technical Drive, Miami, Ohio 45342 USA	
The information and design disclosed herein was originated by and is the property of STACO ENERGY PRODUCTS CO., which reserves all patent, proprietary, design, manufacturing, reproduction, use and sale rights thereto, and to any article disclosed therein except to the extent rights are expressly granted to others. The foregoing does not apply to vendor proprietary parts.		DATE		FIRST USED ON			DO NOT SCALE DWG.
S.A. SMITH		3/4/99		SCALE			WEIGHT APPROX.
CHECKER		DATE		SCALE		CAGE CODE	
ENGINEER		DATE		SCALE		83008	
				1=1		DWG. NO.	
				SHEET 1 OF 1		065-1025	