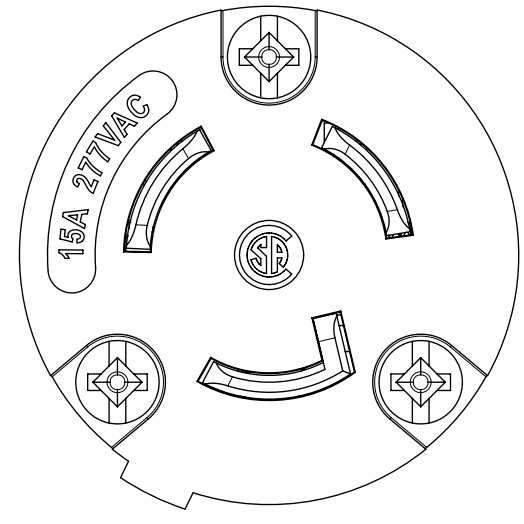
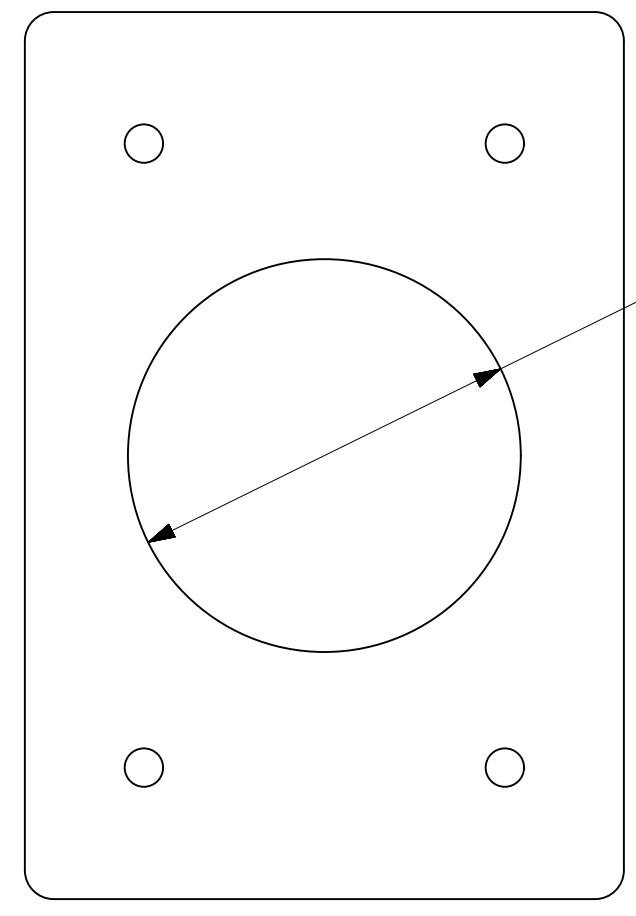
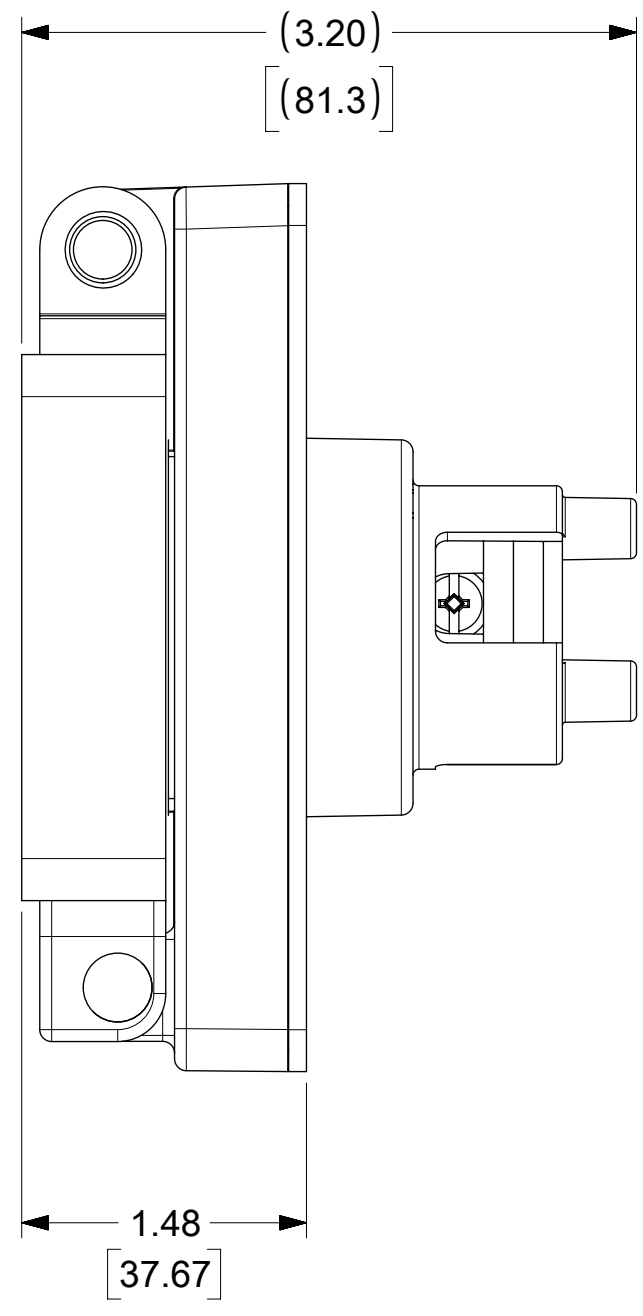
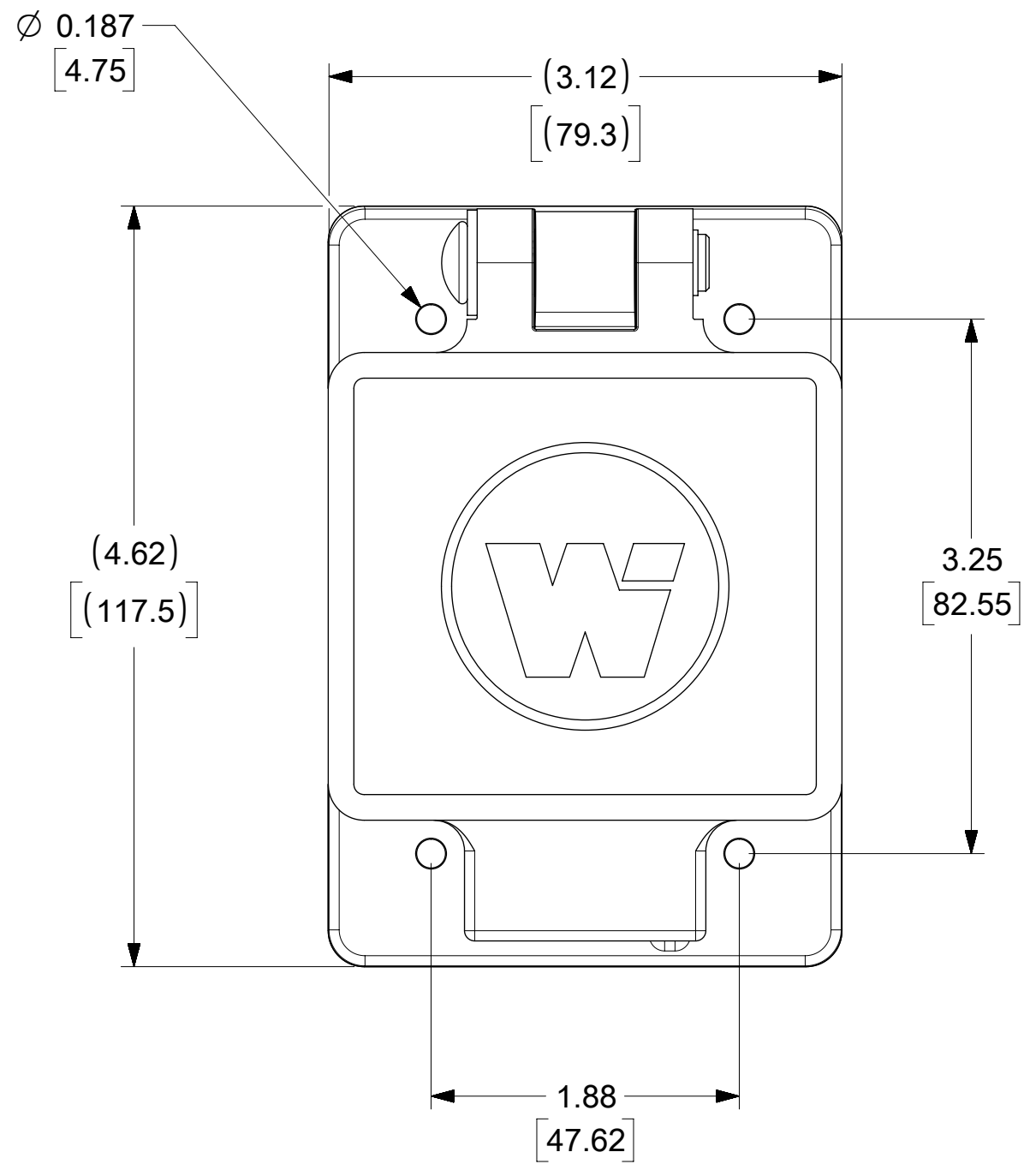
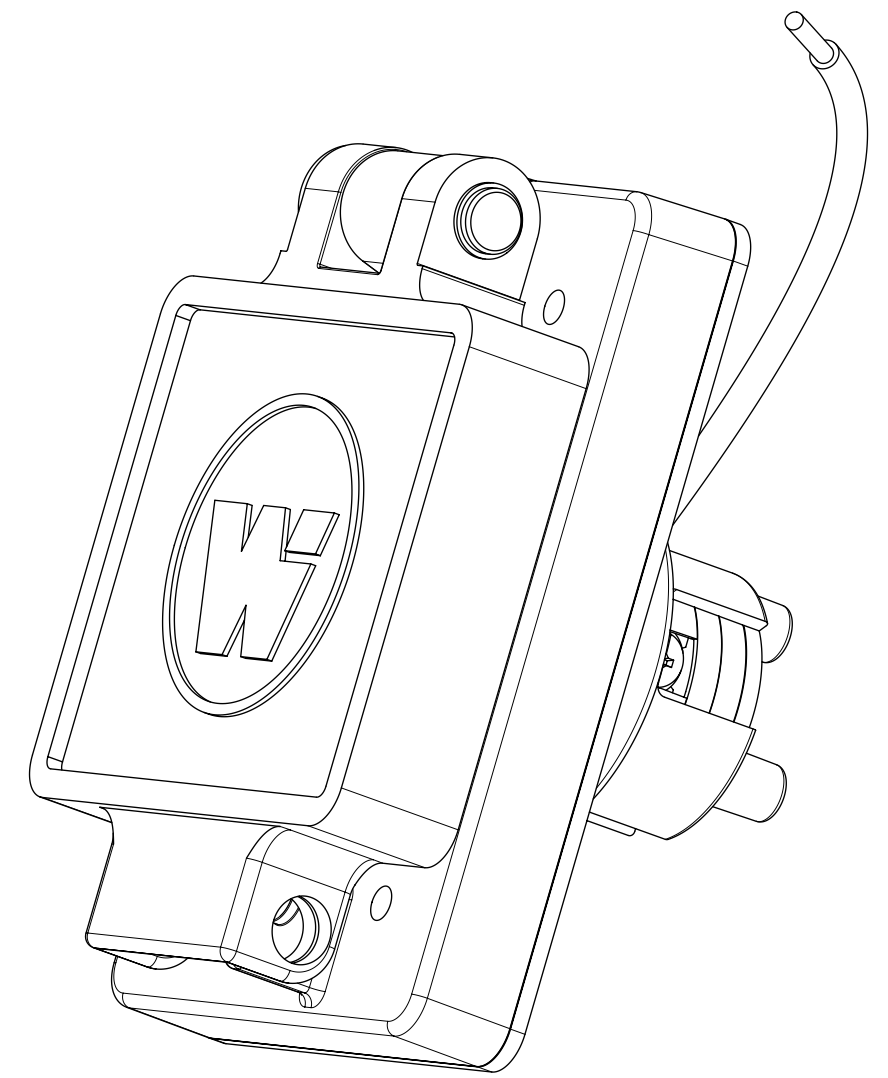


ORDER NO.	WOODHEAD NO.	COLOR
130146-0141	64W34	YELLOW



FACE VIEW



CLEARANCE HOLE (FOR PANEL MOUNT)

DESCRIPTION	MATERIAL	QTY.
BLADES	BRASS, NICKEL PLATED	3
RETAINING SCREWS	STAINLESS STEEL	3
CLAMP AND TERMINAL SCREW ASSY.	BRASS, ZINC PLATED	3
MALE INSERT	NYLON	1
TERMINAL COVER	POLYCARBONATE	1
COVER ASSEMBLY	POLYCARBONATE, STAINLESS STEEL, ALUMINUM	1
GASKET FLIP	NEOPRENE	1
MOTOR BASE MTG ASSY	POLYCARBONATE, STAINLESS STEEL, BRASS	1
SCREW (GROUND WIRE)	STAINLESS STEEL	1
JUMPER WIRE ASSY	COPPER, BRASS (TINNED FINISH)	1

THIS DRAWING CONTAINS INFORMATION THAT IS PROPRIETARY TO MOLEX ELECTRONIC TECHNOLOGIES, LLC AND SHOULD NOT BE USED WITHOUT WRITTEN PERMISSION										
SYMBOLS		DIMENSION UNITS		SCALE		CURRENT REV DESC: MIGRATE TO ECTR/NX				
∇ = 0	∇ = 0	INCH	MM	NTS						
∇ = 0	∇ = 0	GENERAL TOLERANCES (UNLESS SPECIFIED)								
∇ = 0	∇ = 0		MM	INCH						
∇ = 0	∇ = 0	4 PLACES	±	±	EC NO: 613607					
∇ = 0	∇ = 0	3 PLACES	±	±	DRWN: SRPATIL 2019/01/10					
∇ = 0	∇ = 0	2 PLACES	±	±	CHK'D: DNGUYEN62 2019/03/14					
∇ = 0	∇ = 0	1 PLACE	±	±	APPR: HKNEELAND 2019/03/22					
∇ = 0	∇ = 0	0 PLACES	±	±	INITIAL REVISION:					
∇ = 0	∇ = 0	ANGULAR TOL ± °			DRWN: SRPATIL 2019/01/10					
∇ = 0	∇ = 0	DRAFT WHERE APPLICABLE MUST REMAIN WITHIN DIMENSIONS			APPR: HKNEELAND 2019/03/22					
THIRD ANGLE PROJECTION		DRAWING		SERIES		DOCUMENT NUMBER				
C-SIZE		130146		1301460141		DOC TYPE		DOC PART		REVISION
SEE TABLE		GENERAL MARKET		1 OF 1						