

BNX003-11

In Production

RoHS

REACH

Applications

| | |
|-------------------------|--|
| Unsuitable Applications | Please be sure to read and comply with these "Precautions for use." |
| Specific Applications | Consumer equipment, Medical equipment [GHTF A/B/C] except for implant & operation & auto-dispenser equipment, Industrial equipment except for transportation & facility & energy equipment Please refer to Our Website and specifications, etc. for information about the performance, functions, quality, management, and safety required for the above applications, and use Products after confirming the performance and reliability of the actual Product. |

Packaging Information

| Packaging | Specifications | Standard Packing Quantity |
|-----------|----------------|---------------------------|
| - | Box | 100 |

Features

The block type "EMIFIL" BNX series incorporates through-type capacitor, monolithic chip capacitors and bead. The BNX is high performance for use in DC power circuits.

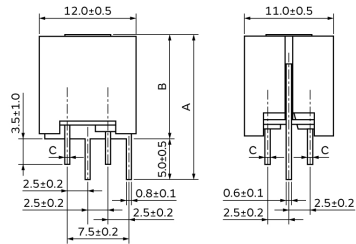
Features

1. The filter enables obtaining high insertion loss in wide frequency ranges from 1MHz to 1GHz.
2. Effective for impulse noise such as electrostatic discharge or spike noise.
3. There are no connection routes in the current circuits, thus ensuring highly reliable performance.

Applications

1. Displays (PDP/LCD-TV)
2. Digital AV equipment
3. Amusement equipment
4. PC peripheral equipment
5. Industry equipment

Appearance & Shape



| Part Number | A | B | C |
|-------------|-----------|-----------|--------|
| BNX002-11 | 18.0 max. | 12.5 max. | (ø0.8) |
| BNX003-11 | 18.0 max. | 12.5 max. | (ø0.8) |
| BNX005-11 | 18.0 max. | 13.0 max. | (ø1.0) |

(in mm)

Attention

1. This datasheet is downloaded from the website of Murata Manufacturing Co., Ltd. Therefore, its specifications are subject to change or our products in it may be discontinued without advance notice. Please check with our sales representatives or product engineers before ordering.
2. This datasheet has only typical specifications because there is no space for detailed specifications. Therefore, please review our product specifications or consult the approval sheet for product specifications before ordering.

BNX003-11



Specifications

| | |
|-----------------------------|--|
| Shape | Lead |
| Length | 12.0mm |
| Length Tolerance | ±0.5mm |
| Width | 11.0mm |
| Width Tolerance | ±0.5mm |
| Thickness | 12.5mm |
| Thickness Tolerance | max. |
| Rated Current | 10A |
| Operating Temperature Range | -40°C to 85°C |
| Mass(typ.) | 3.2g |
| Rated Voltage | 150Vdc |
| Withstanding Voltage | 375Vdc |
| Insulation Resistance(min.) | 100MΩ |
| Insertion Loss | 5MHz to 1GHz:40dB min. (Line impedance=50Ω) |

Attention

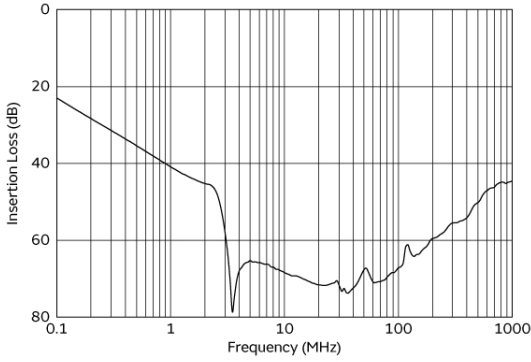
1.This datasheet is downloaded from the website of Murata Manufacturing Co., Ltd. Therefore, it's specifications are subject to change or our products in it may be discontinued without advance notice. Please check with our sales representatives or product engineers before ordering.

2.This datasheet has only typical specifications because there is no space for detailed specifications.

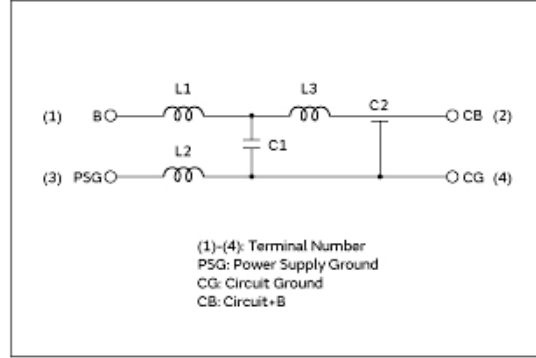
Therefore, please review our product specifications or consult the approval sheet for product specifications before ordering.

BNX003-11

Product Data



Insertion Loss Characteristics



Equivalent Circuit

Attention

1.This datasheet is downloaded from the website of Murata Manufacturing Co., Ltd. Therefore, it's specifications are subject to change or our products in it may be discontinued without advance notice. Please check with our sales representatives or product engineers before ordering.

2.This datasheet has only typical specifications because there is no space for detailed specifications.

Therefore, please review our product specifications or consult the approval sheet for product specifications before ordering.