

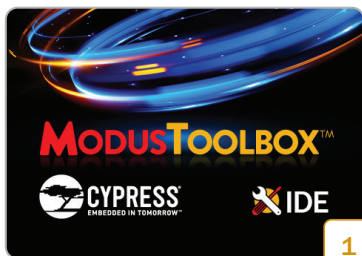
CYW920819EVB-02 EVALUATION KIT



Kit Contents:

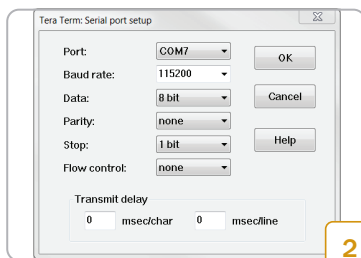
- 1 CYW920819EVB-02 evaluation board
- 2 USB standard-A to micro-B cable
- 3 Quick start guide (this document)

www.cypress.com/CYW920819EVB-02



1

1. Register on Cypress Developer Community and then download and install Modus Toolbox 2.1 (or later) with the Bluetooth SDK at:
www.cypress.com/modustoolbox
2. To learn more about this kit, refer to the kit user guide at
www.cypress.com/CYW920819EVB-02

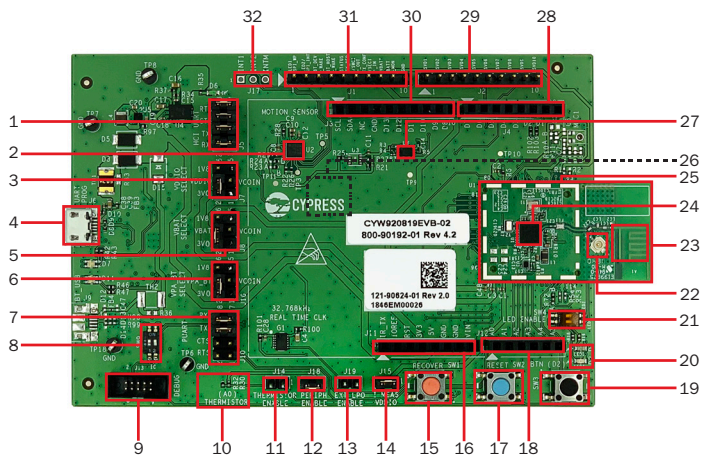


2

1. Plug the kit into a USB port on your computer.
2. Open a Terminal Emulator such as Tera Term and make settings as shown above. (The port may be different for your computer. Use the WICED Peripheral UART port number from the device manager.) The terminal window will display the thermistor resistance and the equivalent temperature.
(Note: The temperature is transmitted over Bluetooth LE every 5 seconds so you can also use any mobile app that supports the Environment Sensing profile to test this example project.)

CYW920819EVB-02 EVALUATION KIT

CYW920819EVB-02 Evaluation Board Details



- | | |
|---|---|
| 1. HCI UART Jumper (J5) | 17. Reset Button (SW2) |
| 2. Motion Sensor (U2) | 18. Arduino Header (J12) |
| 3. VDDIO Select Jumper (J7) | 19. User Button (SW3) |
| 4. USB Connector for Programming /USB-UART (J6) | 20. User LEDs (D1 and D2) |
| 5. VBATT Select Jumper (J8) | 21. LED Enable Switch (SW4) |
| 6. VPA_BT Select Jumper (J16) | 22. External Antenna Connector (U1.J3) |
| 7. PUART Enable Jumper (J10) | 23. PCB Antenna (U1.A1) |
| 8. SWD/GPIO Switch (SW9) | 24. CYW20819 (U1.U1) |
| 9. Debug Header (J13) | 25. Carrier Module (U1) |
| 10. Thermistor (R30) | 26. Coin Cell Holder (ZB1, bottom side) |
| 11. Thermistor Enable Jumper (J14) | 27. 8-Mb SPI Flash (U6) |
| 12. Peripheral Enable Jumper (J18) | 28. Arduino Header (J4) |
| 13. External LPO Enable Jumper (J19) | 29. WICED Header (J2) |
| 14. VDDIO Current Measurement Jumper (J15) | 30. Arduino Header (J3) |
| 15. Recovery Button (SW1) | 31. WICED Header (J1) |
| 16. Arduino Header (J11) | 32. Motion Sensor Interrupt Test Points (J17) |

For the latest information about this kit, visit www.cypress.com/CYW920819EVB-02