



## Pull-wire switch

ZS 71 1Ö/1S / 55 N

Material no.: 1048069 (material no. old: 71141001)

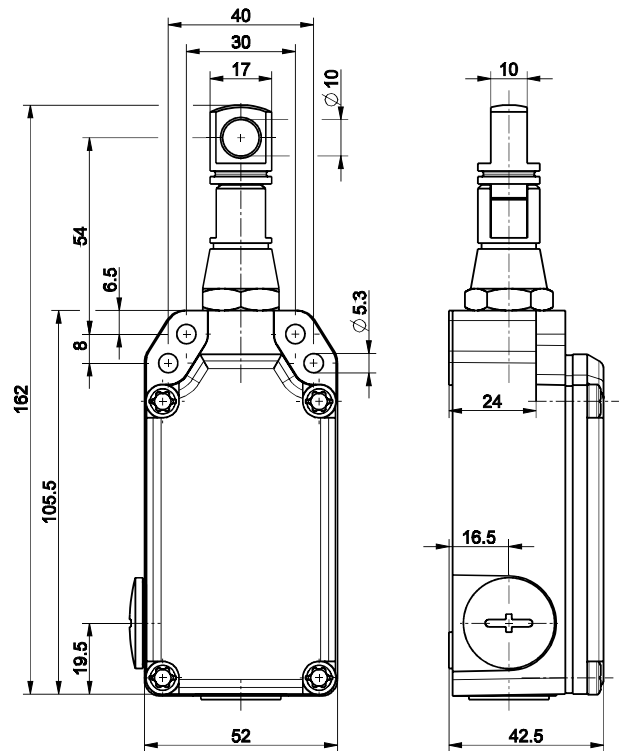
### Product features

- Metal enclosure
- 2 contacts
- Compact design
- Wire length up to 5 m
- Spring force variant: 55 N
- Wire pull and breakage detection
- Without mechanical latching

### Notes

- At 3 m distance intermediate wire supports are required. One wire thimble is provided.

### Dimensions



### Technical data

#### Applied standards

EN 60947-5-1, EN ISO 13849-1, GS-ET-15

#### Enclosure

aluminium die-cast, powder-coated

#### Cover

thermoplastic, glass-fibre reinforced, shock-proof, self-extinguishing UL 94 V-0

#### Degree of protection

IP 65 to IEC/EN 60529

#### B<sub>10d</sub> (10 % load)

2 million

#### T<sub>M</sub>

max. 20 years

#### Contact material

silver

#### Switching system

snap action, positive break NC contacts ⊖

#### Switching elements

1 NC/1 NO contact

#### Connection

screw connection terminals

#### Cable cross-section

max. 2.5 mm<sup>2</sup> (incl. conductor ferrules)

#### Cable entry

2 x M20 x 1.5

#### Rated impulse withstand voltage U<sub>imp</sub>

6 kV

#### Rated insulation voltage U<sub>i</sub>

400 V

#### Conventional thermal current I<sub>the</sub>

6 A

#### Utilisation category

AC-15

#### Rated operating current/voltage I<sub>e</sub>/U<sub>e</sub>

6 A/400 VAC

#### Short-circuit protection

6 A gG/gN fuse

Errors and omissions excepted.



## Pull-wire switch

ZS 71 1Ö/1S / 55 N

Material no.: 1048069 (material no. old: 71141001)

### Technical data (contd.)

---

#### Ambient temperature

-25 °C ... +70 °C

#### Mechanical life

> 1 million operations

#### Max. wire length

5 m

#### Approvals

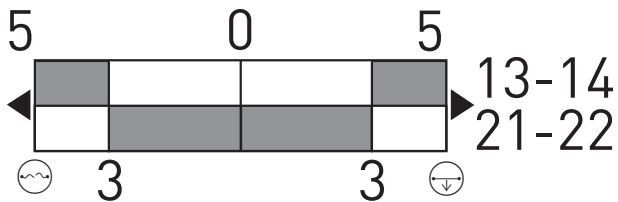


#### Weight

334 g

### Switching diagram

---

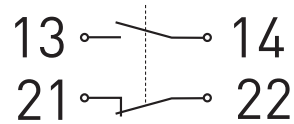


☹ Wire breakage detection

☺ Wire pull detection

### Contact diagram

---



Errors and omissions excepted.