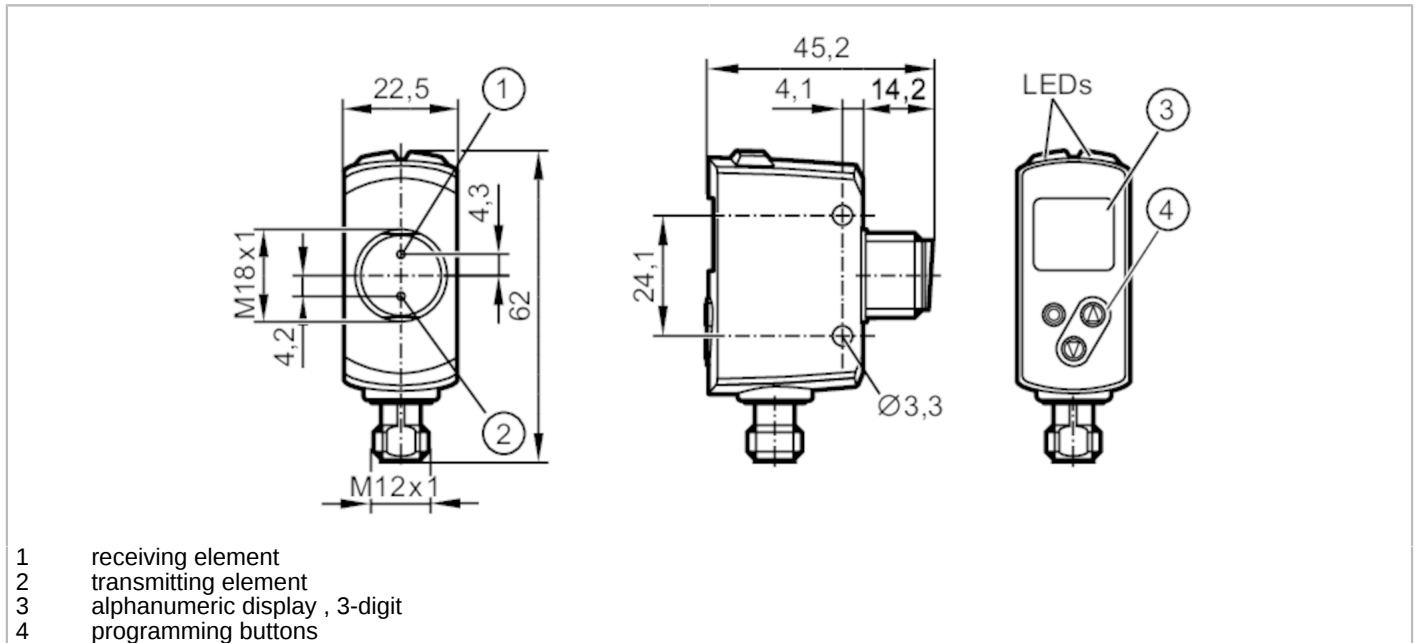




Photoelectric distance sensor

OGDLFPKG/IO-LINK/US



Product characteristics	
Type of light	red light
Laser protection class	1
Housing	rectangular with M18 thread
Application	
Application [m]	0.03...0.3
Electrical data	
Operating voltage [V]	10...30 DC; ("supply class 2" to cULus)
Current consumption [mA]	< 75
Current consumption reference voltage [V]	24
Protection class	III
Reverse polarity protection	yes
Type of light	red light
Wave length [nm]	650
Typ. lifetime [h]	50000
Outputs	
Electrical design	PNP
Output function	2 x normally open / normally closed; (parameterisable)
Permanent current rating of switching output DC [mA]	100; (per output)
Type of short-circuit protection	pulsed
Overload protection	yes
Detection zone	
Max. light spot width [mm]	3



Photoelectric distance sensor

OGDLFPKG/IO-LINK/US

Max. light spot height	[mm]	3
Light spot dimensions refer to		at maximum range
Background suppression	[m]	0.03...19.2

Measuring/setting range

Measuring range	[m]	0.025...0.3
Sampling rate	[Hz]	33

Interfaces

Communication interface	IO-Link	
Transmission type	COM2 (38,4 kBaud)	
IO-Link revision	1.1	
SDCI standard	IEC 61131-9	
Profiles	Smart Sensor: Sensor Identification; Binary Data Channel; Process Value; Sensor Diagnosis	
SIO mode	yes	
Required master port type	A	
Process data analogue	2	
Process data binary	2	
Min. process cycle time	[ms]	6
Supported DeviceIDs	Type of operation	DeviceID
	Default	1012

Operating conditions

Ambient temperature	[°C]	-25...50
Note on ambient temperature	In ambient temperatures < -10 °C a warm-up time is necessary. Laser is off.	
Storage temperature	[°C]	-30...80
Protection	IP 65; IP 67	

Tests / approvals

EMC	EN 60947-5-2	
Laser protection class	1	
Notes on laser protection	Caution:	laser light
	laser class:	1
		EN / IEC60825-1:2007
		EN / IEC60825-1:2014
		Complies with 21 CFR 1040 except for deviations pursuant to Laser Notice No. 50, dated June 2007.
MTTF	[years]	181

Mechanical data

Weight	[g]	205
Housing	rectangular with M18 thread	
Dimensions	[mm]	61.7 x 22.5 x 45.2
Thread designation	M18 x 1	
Materials	housing: stainless steel (1.4404 / 316L); PPSU; ABS; PMMA; PBT / PC; EPDM; front pane: glass	
Lens alignment	side lens	

OGD592



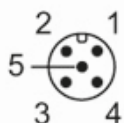
Photoelectric distance sensor

OGDLFPKG/IO-LINK/US

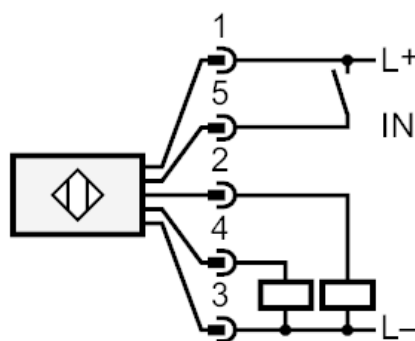
Displays / operating elements		
Display	switching status	2 x LED, yellow 1 x alphanumeric display, 3-digit
Accessories		
Items supplied		lock nuts: 2
Remarks		
Remarks		operating voltage "supply class 2" according to cULus
Pack quantity		1 pcs.

Electrical connection

Connector: 1 x M12; coding: A



Connection



- 2: OUT2: switching output
- 4: OUT1: switching output or IO-Link
- 5: IN1: Laser On/ Off

OGD592



Photoelectric distance sensor

OGDLFPKG/IO-LINK/US

Other data		
Parameter	Setting range	Factory setting
Uni	mm, inch	mm
OU1	Hno, Hnc, Fno, Fnc, OFF	Hno
SP1 [mm]	30...300	300
nP1 [mm]	30...300	90
FP1 [mm]	30...300	110
OU2	Hno, Hnc, Fno, Fnc, OFF	Hno
SP2 [mm]	30...300	30
nP2 [mm]	30...300	190
FP2 [mm]	30...300	210
dS1 [s]	0...0.1...5	0
dr1 [s]	0...0.1...5	0
dS2 [s]	0...0.1...5	0
dr2 [s]	0...0.1...5	0
dFo [s]	0...0.1...5	0.1
dIS	ON / OFF	ON

Repeatability: 6 σ

	repeatability of the measured values	
distance	white (90 % remission)	black (6 %...90 % remission)
25...300 mm	2.0 mm	5.0 mm

The values apply at

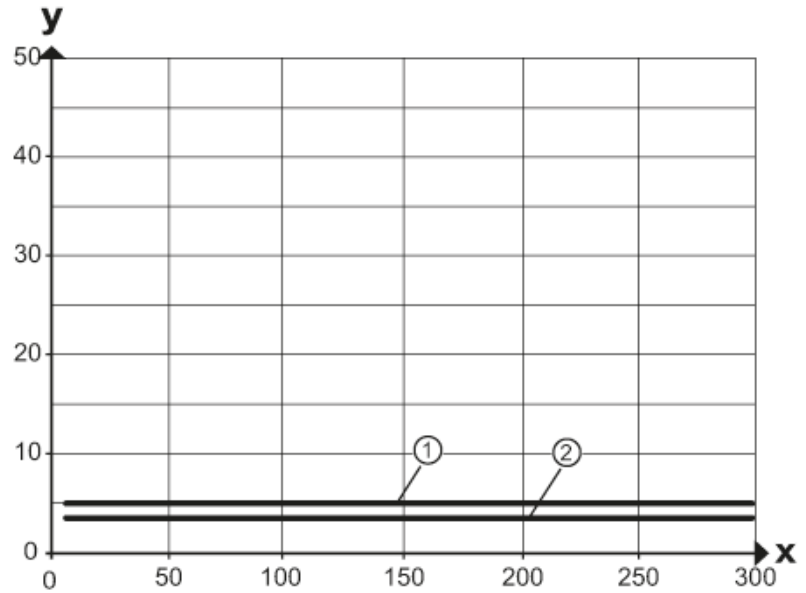
Extraneous light on the object	< 10 klx
constant ambient conditions	23 °C / 960 hPa
minimum power-on time in minutes	15

Photoelectric distance sensor

OGDLFPKG/IO-LINK/US

Diagrams and graphs

hysteresis graph

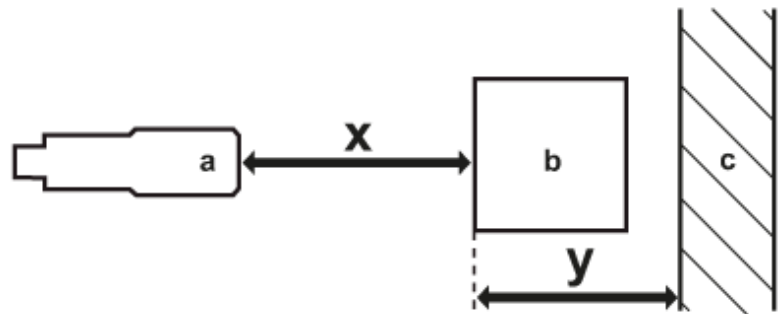


x: distance sensor/object [mm]

y: min. distance object/background [mm]

1 = background (black 6 % remission)

2 = Hintergrund_ weiss_90_ Remission



a: sensor

b: object

c: background

x: distance sensor/object [mm]

y: min. distance object/background [mm]