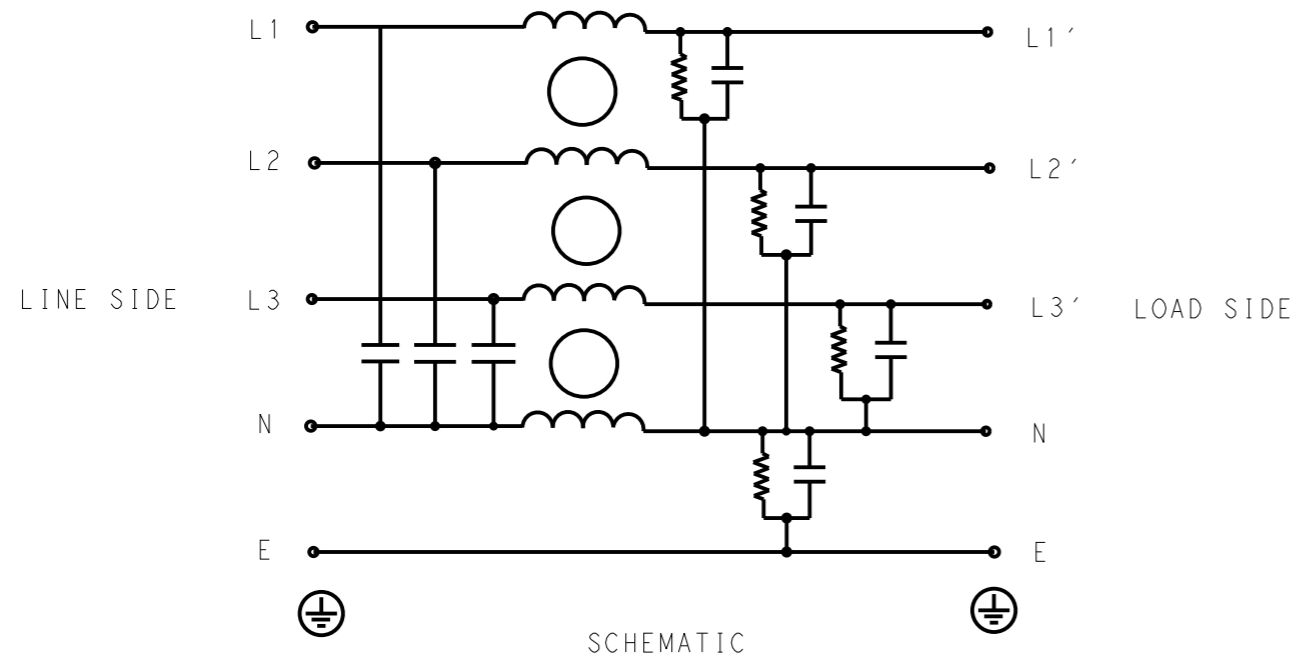


REVISIONS

P	LTR	DESCRIPTION	DATE	DWN	APVD
	A	INITIAL RELEASE	19APR2021	BS	CB



SAFETY ORGANIZATIONS

THIS FILTER WILL BE FORMALLY RECOGNIZED, CERTIFIED OR APPROVED BY THE LISTED AGENCY. THEREFORE, ALL TEST/REQUIREMENTS SPECIFIED IN THE LATEST REVISION OF THE FOLLOWING AGENCY STANDARDS WILL BE MET:

UL APPROVED 7A 440V 50Hz/60Hz 40°C  
 CSA APPROVED 7A 440V 50Hz/60Hz 40°C

OPERATING SPECIFICATION

LINE CURRENT/VOLTAGE: 7A, 440VAC  
LINE FREQUENCY: 50/60Hz

MAXIMUM LEAKAGE CURRENT: 5mA @ 230VAC, 50Hz

OPERATING AMBIENT TEMPERATURE RANGE @ RATED CURRENT: -25°C TO +40°C

IN AN AMBIENT, T<sub>a</sub>, HIGHER THAN 40°C, THE MAXIMUM OPERATING CURRENT, I<sub>o</sub>, IS AS FOLLOWS:

$$I_o = I_r \sqrt{\frac{85 - T_a}{45}}$$

RELIABILITY SPECIFICATIONS

STORAGE TEMPERATURE: -40°C TO +85°C  
HUMIDITY: 21 DAYS @ 40°C AND 95% RH

TEST SPECIFICATIONS

INDUCTANCE, NOMINAL: 5mH

CAPACITANCE @ 1kHz

NEUTRAL TO GROUND, NOMINAL: 0.47µF  
LINE TO NEUTRAL, NOMINAL: 2µF

DISCHARGE RESISTOR

L/L I.R. 2MΩ 1W  
 L/N I.R. 1.5MΩ 1W  
 L/G I.R. 2MΩ 1W  
 N/G I.R. 680KΩ 1W  
 IR (NO DISCHARGE RESISTOR) 20°C, 50% RH AND 100VDC, MIN: 6MΩ

RECOMMENDED RECEIVING INSPECITON HIPOT

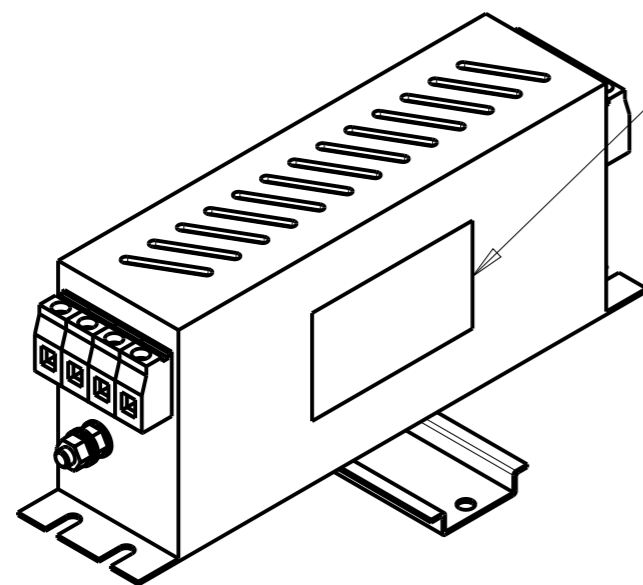
LINE TO GROUND FOR 1 MINUTE: 2632VDC  
LINE TO LINE FOR 1 MINUTE: 1892VDC  
LINE TO NEUTRAL FOR 1 MINUTE: 1093VDC

FILTER APPROVAL

THE BEST WAY TO SELECT AND QUALIFY A FILTER IS FOR YOUR ENGINEERING TO TEST THE UNIT IN YOUR EQUIPMENT.

TYPICAL INSERTION LOSS  
COMMON MODE 50/50Ω; DIFFERENTIAL MODE 50/50Ω

MHz	0.01	0.05	0.15	0.5	1	3	5	10	30
CM	22	18	48	60	70	65	58	31	11
DM	24	22	63	50	67	60	56	70	50



LABEL TO TE MARKING SPECIFICATION

THIS DRAWING IS A CONTROLLED DOCUMENT.		DWN 19APR2021 BAPAT SAHAS		
DIMENSIONS: mm		CHK 19APR2021 CHRIS BOLLE		
TOLERANCES UNLESS OTHERWISE SPECIFIED:		APVD 19APR2021 CHRIS BOLLE	NAME POWER LINE FILTER FOR DIN 35 RAIL INSTALLATION 7KEPS10ABSWHM	
0 PLC ±-		PRODUCT SPEC	SIZE	
1 PLC ±0.5		APPLICATION SPEC	CAGE CODE	
2 PLC ±0.40			DRAWING NO	
3 PLC ±0.130			RESTRICTED TO	
4 PLC ±0.0500			A300779	
ANGLES ±-		WEIGHT	C-9-1609968-3	
MATERIAL			SCALE 1:2	
FINISH			SHEET 1 OF 2	
			REV A	
		CUSTOMER DRAWING		

© 2021 TE Connectivity. All Rights Reserved.

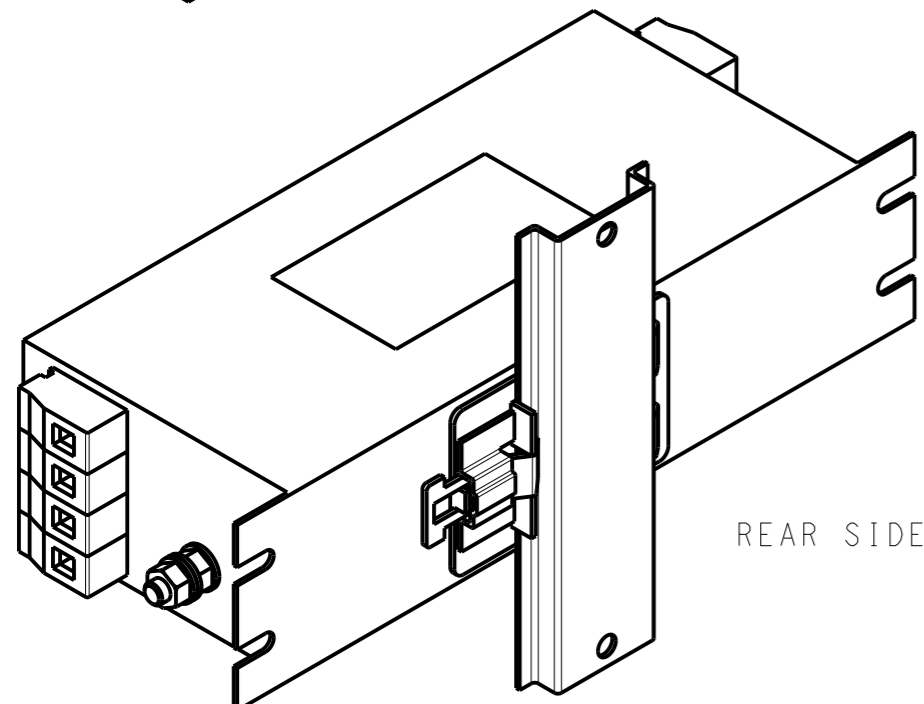
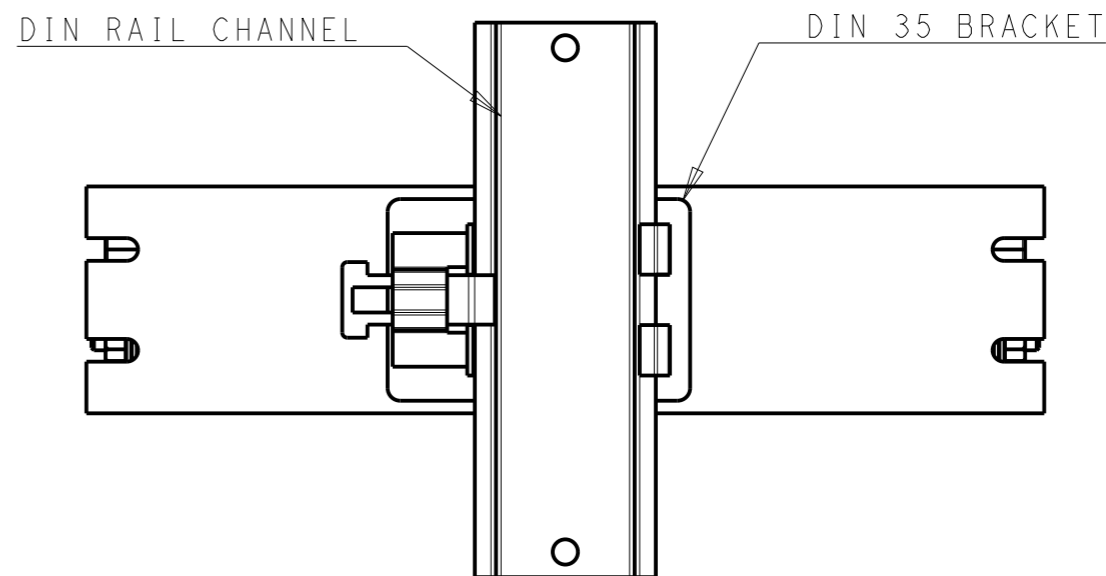
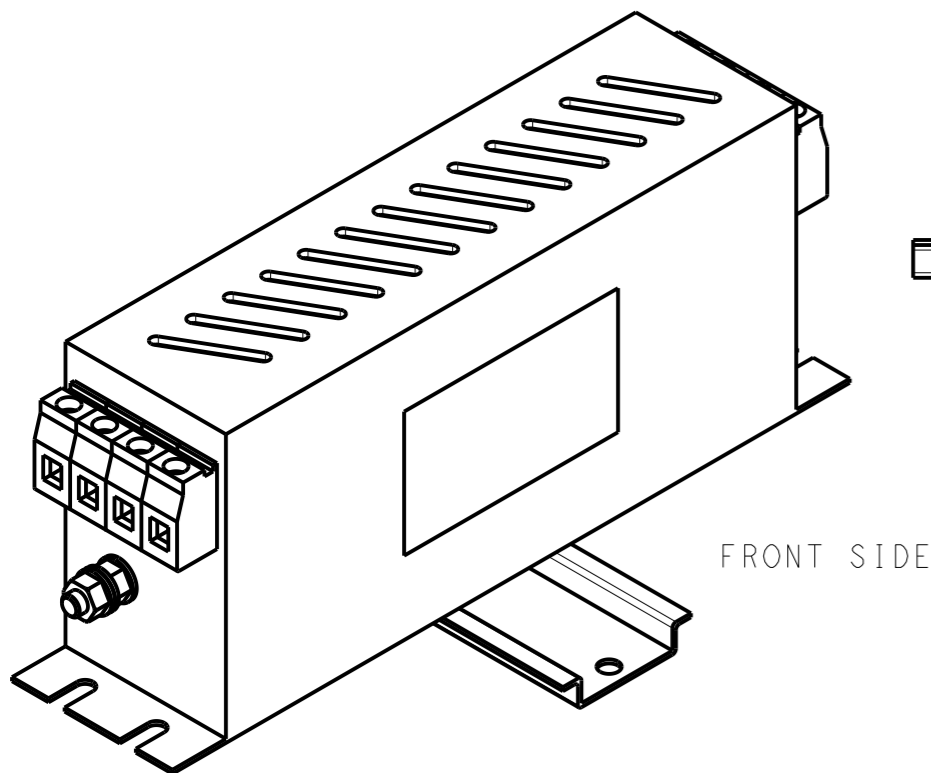
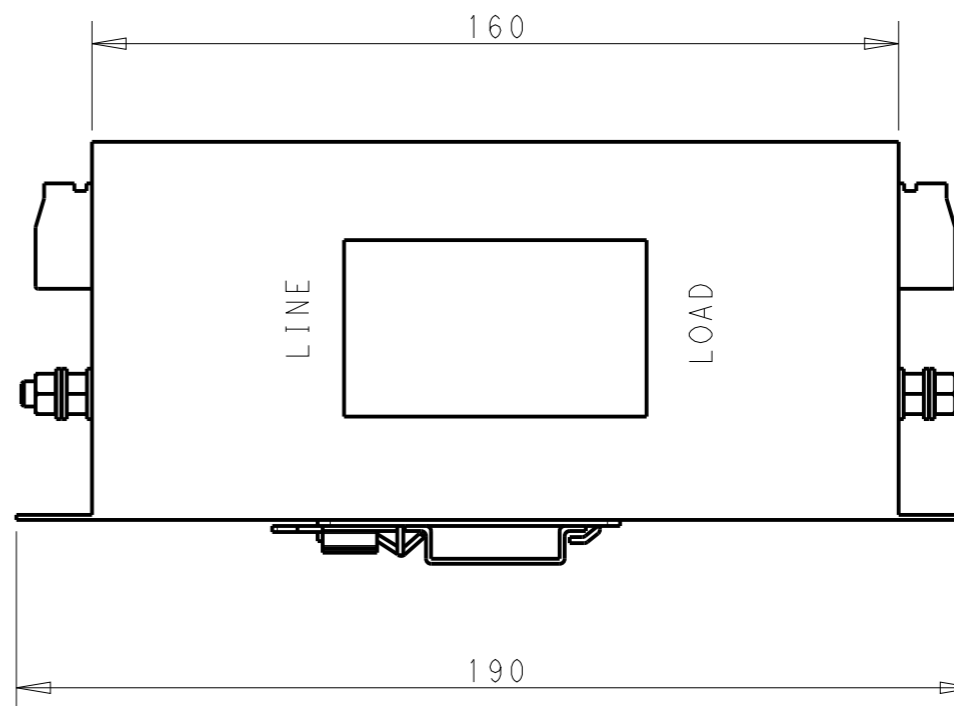
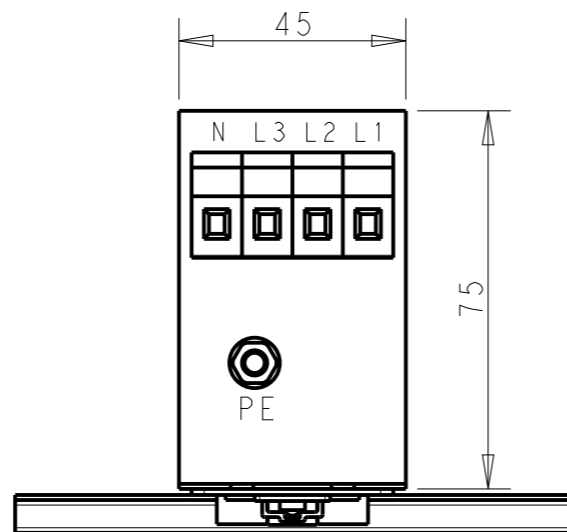
NOTE 1 GROUND CONNECTION:  
 FOR ELECTRICAL SAFETY AND FILTER PERFORMANCE  
 UNIT MUST HAVE A GOOD GROUND CONNECTION.  
 TORQUE OUTER TERMINAL SCREW: 0.5Nm / 4.5 in.lbs  
 TORQUE GROUND NUTS: 2Nm

NOTE 2 INPUT OUTPUT CONNECTION TERMINAL  
 AWG SIZE: 26-12 AWG  
 WIRE SECTION: 4 mm<sup>2</sup>  
 THREADED BOLT SIZE FOR GROUND: M5

NOTE 3 SUPPLIED WITH DIN RAIL BRACKET

NOTE 4 DRAWINGS SHOWS DIN RAIL FOR REFERENCE ONLY

REVISIONS					
P	LTR	DESCRIPTION	DATE	DWN	APVD
		SEE SHEET 1			



THIS DRAWING IS A CONTROLLED DOCUMENT.		DWN BAPAT SAHAS 19APR2021		
		CHK CHRIS BOLLE 19APR2021		
		APVD CHRIS BOLLE 19APR2021	NAME POWER LINE FILTER FOR DIN 35 RAIL INSTALLATION 7KEPS10ABSWHM	
DIMENSIONS: mm		TOLERANCES UNLESS OTHERWISE SPECIFIED:		RESTRICTED TO
		0 PLC ±-	PRODUCT SPEC	
		1 PLC ±0.5	APPLICATION SPEC	
		2 PLC ±0.40	WEIGHT	
		3 PLC ±0.130		
		4 PLC ±0.0500		
		ANGLES ±-		
MATERIAL	FINISH		SIZE A300779	CAGE CODE C-9-1609968-3
-	-		DRAWING NO	
-	-		SCALE 2:3	SHEET 2 OF 2
		CUSTOMER DRAWING		REV A