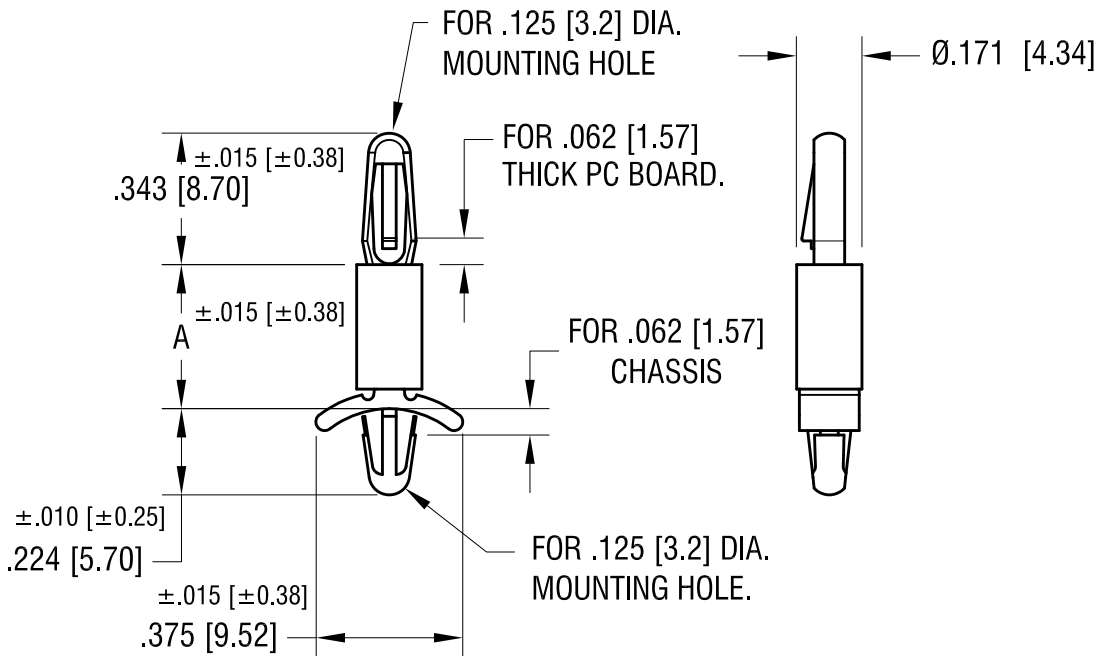
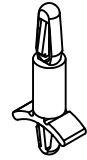


THIS DOCUMENT IS THE PROPERTY OF
KEYSTONE ELECTRONICS CORP. AND
SHALL NOT BE REPRODUCED, DISTRIBUTED
OR USED AS A BASIS FOR MANUFACTURE
WITHOUT PRIOR WRITTEN PERMISSION
FROM KEYSTONE ELECTRONICS CORP.

ACTUAL SIZE

P/N 8873



PART NO.	'A' DIM.
8871	.187 [4.74]
8872	.250 [6.35]
8873	.375 [9.52]
8874	.500 [12.70]
8875	.625 [15.87]

KEYSTONE ELECTRONICS CORP.

www.keyelco.com • NEW HYDE PARK, NY 11040 • Tel (516) 328-7500

PART NAME		PC LOCK-IN SUPPORT	
MATERIAL		NYLON 6/6, UL 94V-0	
FINISH	NONE	DRN BY	BOONE
		APP'D	RH
		DATE	8.29.06
		SCALE	2C
TOLERANCES	INCH [MM]	CODE	DWG NO.
DECIMAL	$\pm .005$ [± 0.13]	C	8871- 8875
ANGULAR	$\pm 1^\circ$		
UNLESS OTHERWISE SPECIFIED			

3.26.21	CHANGE AS PER ECN 21-029	A
DATE	DESCRIPTION	REV.