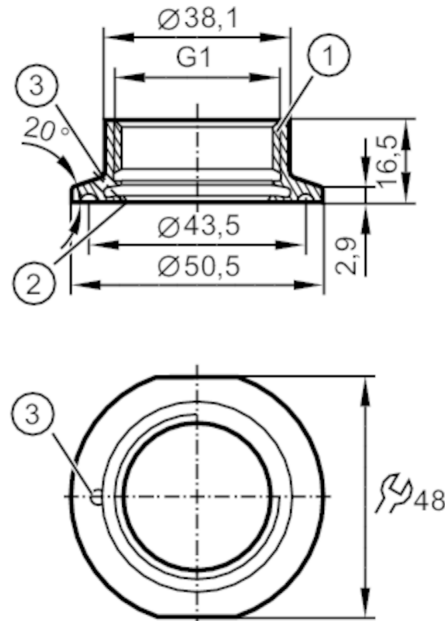


# E33208



## Process adapter Tri-Clamp

ADA IFM-CLAMP ISO2852 1.5" 3A



- 1 Aseptoflex Vario
- 2 sealing area
- 3 Leakage port



CRN EC 1935/2004 EHEDG Certified FDA

### Application

Design	with leakage port
Pressure rating [bar]	16

### Tests / approvals

Pressure Equipment Directive	A possible classification to PED depends on the application and has to be carried out by the user / operator.
Pressure Equipment Directive EAC	The adapter is intended for use in devices, machines and installations that do not fall under the categories of the technical rule TR CU 032/2013.
Safety instructions	The compatibility between medium and product material has to be checked in all applications.

### Mechanical data

Weight [g]	101
Materials (wetted parts)	stainless steel (1.4435 / 316L) ; surface characteristics : Ra<0,4 / Rz 4
Sensor connection	G 1 Aseptoflex Vario
Process connection	Clamp DN25...DN40 (1...1,5") DIN 32676 (ISO 2852)
Sealing	Gasket
Hygienic equipment class to DIN 11866	H4

### Accessories

Items supplied	O-ring: 1 x 24 x 2, EPDM, FDA compliant, E30054
Accessories (optional)	O-ring: 1 x 24 x 2, FKM, FDA compliant, E30123 sealing ring: 1, PEEK, FDA compliant, E30124

### Remarks

Pack quantity	1 pcs.
---------------	--------