

71475

NOTES:

1) MATERIALS:

HOUSING: GLASS FILLED LCP (LIQUID CRYSTAL POLYMER),
UL 94V-0, COLOR: BLACK.
MOLDED STICK: GLASS FILLED LCP (LIQUID CRYSTAL POLYMER),
UL 94V-0, COLOR: BLACK.
MALE TERMINAL: PHOSPHOR BRONZE
OUTER SHELL: DEEP DRAWN STEEL.

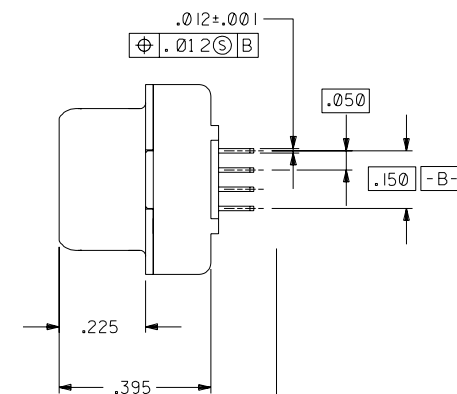
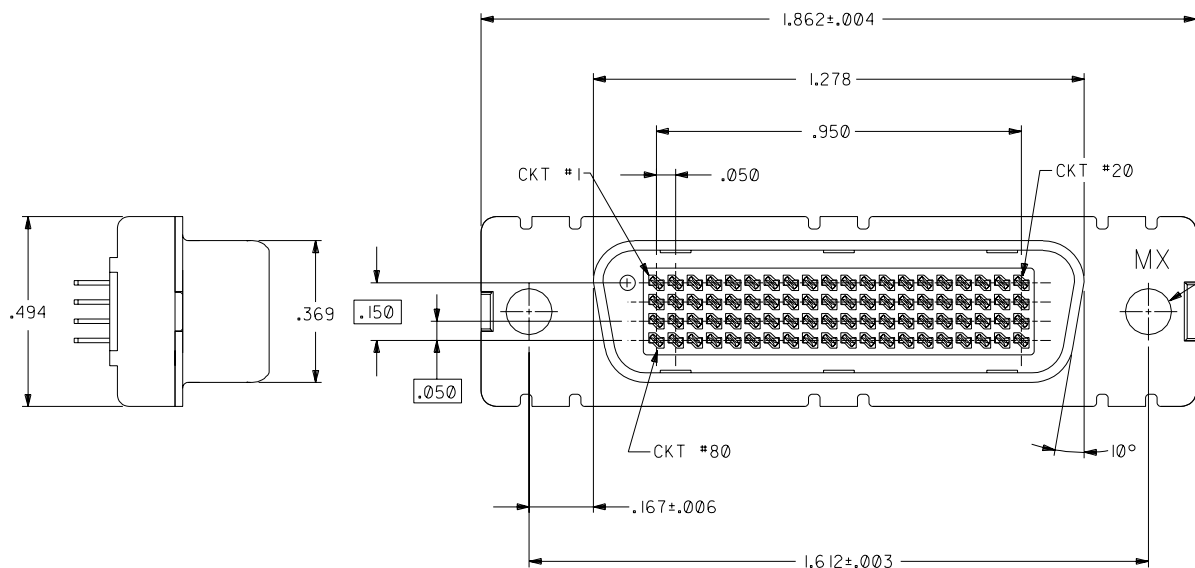
2) PLATING :

TERMINAL: .000030/(0.000762) MINIMUM GOLD IN SELECTIVE AREA;
.000100/(0.00254) MINIMUM TIN IN SELECTIVE AREA;
OVER NICKEL UNDERPLATE OVERALL.

OUTER SHELL: .000100/(0.00254) MINIMUM BRIGHT NICKEL
OVER COPPER FLASH (OPTIONAL).

3) CONFORMS TO PRODUCT SPECIFICATION PS-70928.

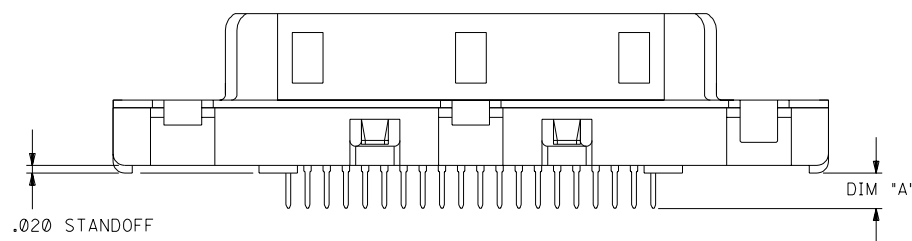
4) PARTS TO BE PACKAGED PER PK-70873-0604.



ITEM NUMBER	DIM "A" (TAIL LENGTH)
71475-1000	.092±.007
71475-1001	.062±.007

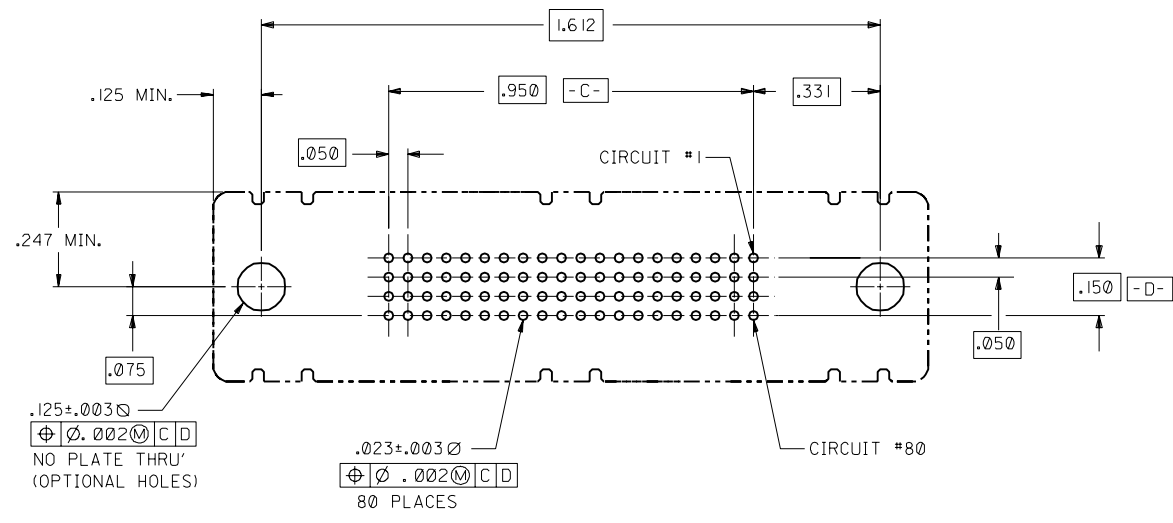
NOTE FOR LEAD FREE CONVERSION:

THE PRIMARY SHIPPING CARTON WILL BE
LABELED "COMPLIANT TO RoHS DIRECTIVE
2002/95/EC AND ELV ANNEX II OF
DIRECTIVE 2000/53/EC". CARTONS
WITHOUT THIS LABEL MAY CONTAIN
PRODUCT WITH LEAD.

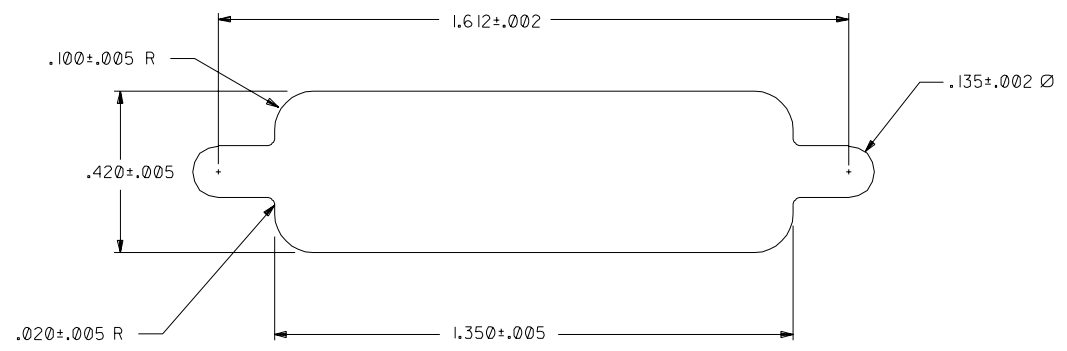


REV	DATE	DESCRIPTION
E	04/04/15	LEADFREE ECN# UCP2004-1998 DMORGAN 04/04/15
D	05/08/96	MODIFIED PER ECN U6-1399 DRS 05/08/96
C	02/13/96	ADDED -1001 PER ECN U6-0957 DRS 02/13/96
B	12/01/95	REVISED PER ECN U6-0641 DRS 12/01/95
A	05/05/95	FIRST RELEASE PER ECN U5-1116 MOS 05/05/95

DIMENSIONS SHOWN (METRIC) INCH		▽ = 0		▽ = 0		REVISE ONLY ON CAD SYSTEM	
UNLESS OTHERWISE SPECIFIED TOLERANCES: ANGULAR ± 1/2°							
INCH		METRIC		TITLE		SHEET NO.	
3 PLACE	± .010	---	---	.050"x.050" 80ckt LFH		1 OF 2	
2 PLACE	±	±	---	Vertical Plug I/O		DATE	
1 PLACE	---	±	---	FOR .062" THK. PCB		03/23/95	
DRAFT WHERE APPLICABLE MUST REMAIN WITHIN DIMENSIONS				MOLEX INCORPORATED		U.S.A.	
DRWG. BY: MOS		CHK'D. BY: GWF		PART NO. SEE CHART		DRWG. NO. SDA-71475-100*	
APP'D. BY: GWF		SCALE: 4: 1		FILE NAME: 571475X1.DGN		THIS DRAWING CONTAINS INFORMATION THAT IS PROPRIETARY TO MOLEX INC. AND SHOULD NOT BE USED WITHOUT WRITTEN PERMISSION.	



RECOMMENDED P.C.B. LAYOUT
COMPONENT SIDE



RECOMMENDED PANEL CUT-OUT
NOTE: MAX. PANEL THICKNESS: .040"

B	SEE SHEET I
A	SEE SHEET I

DIMENSIONS SHOWN (METRIC) INCH		▽ = 0	▼ = 0	REVISE ONLY ON CAD SYSTEM	
UNLESS OTHERWISE SPECIFIED TOLERANCES ANGULAR ± 1/2°		TITLE			
INCH METRIC		.050" x .050" @ 80ckt LFH			
3 PLACE ± .010 ---		Vertical Plug I/O			
2 PLACE ± ±		FOR .062" THK PCB			
1 PLACE --- ±		MOLEX INCORPORATED		SHEET NO. 2	DATE 03/23/95
DRAFT WHERE APPLICABLE MUST REMAIN WITHIN DIMENSIONS		L15LEJLL 60532		U.S.A.	
DRAWN BY MOS		CHK'D BY GWF		PART NO. SDA-71475-100	
APP'D BY GWF		SCALE 4:1		DRWG. NO. SDA-71475-100	
FILE NAME S71475X2.DGN		THIS DRAWING CONTAINS INFORMATION THAT IS PROPRIETARY TO MOLEX INC. AND SHOULD NOT BE USED WITHOUT WRITTEN PERMISSION		DIV. CD	