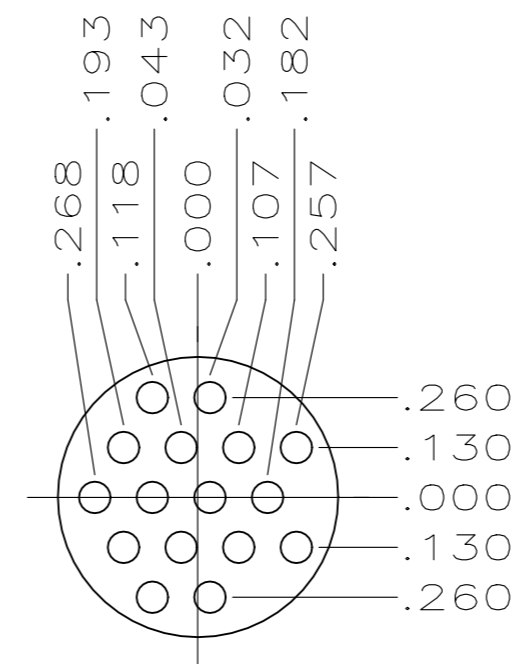
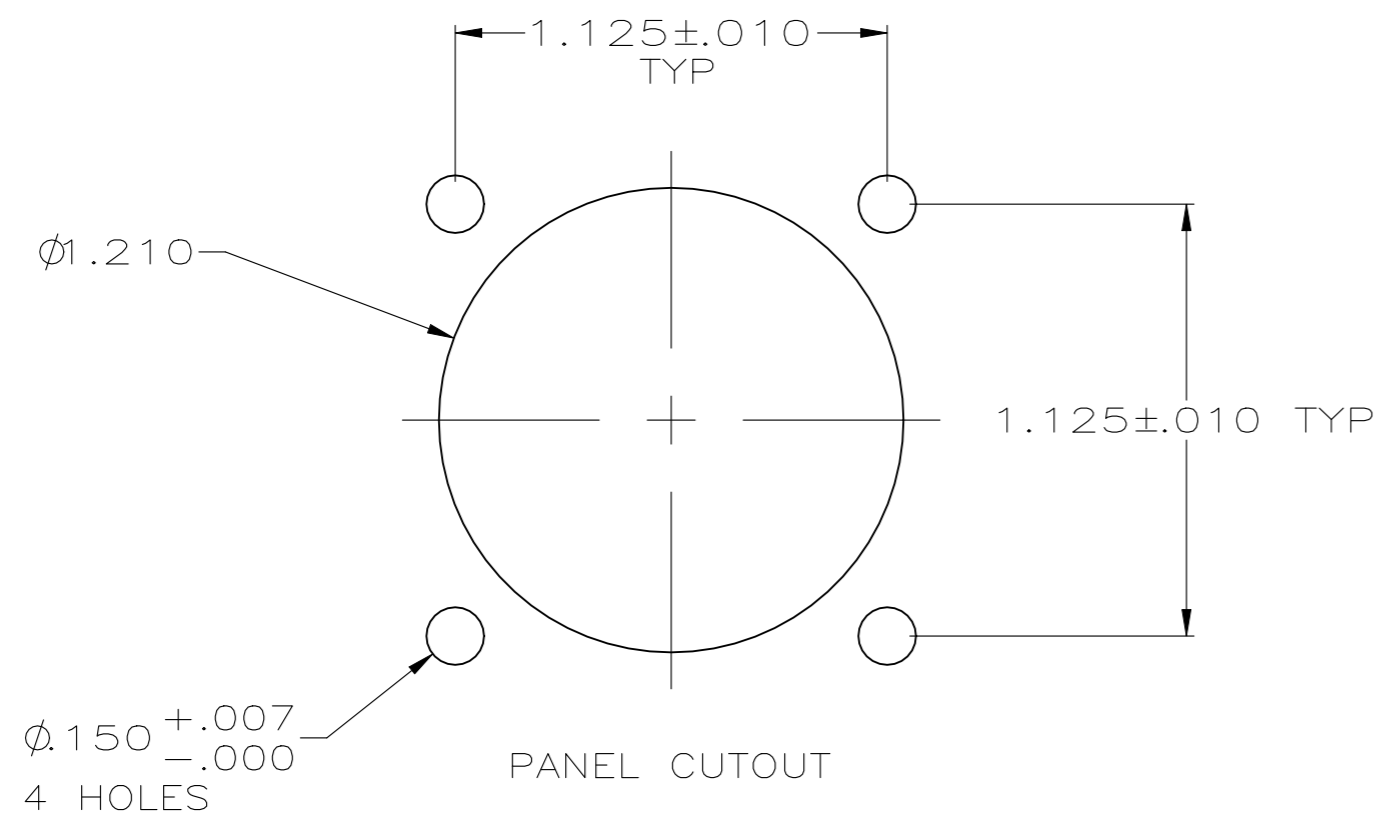
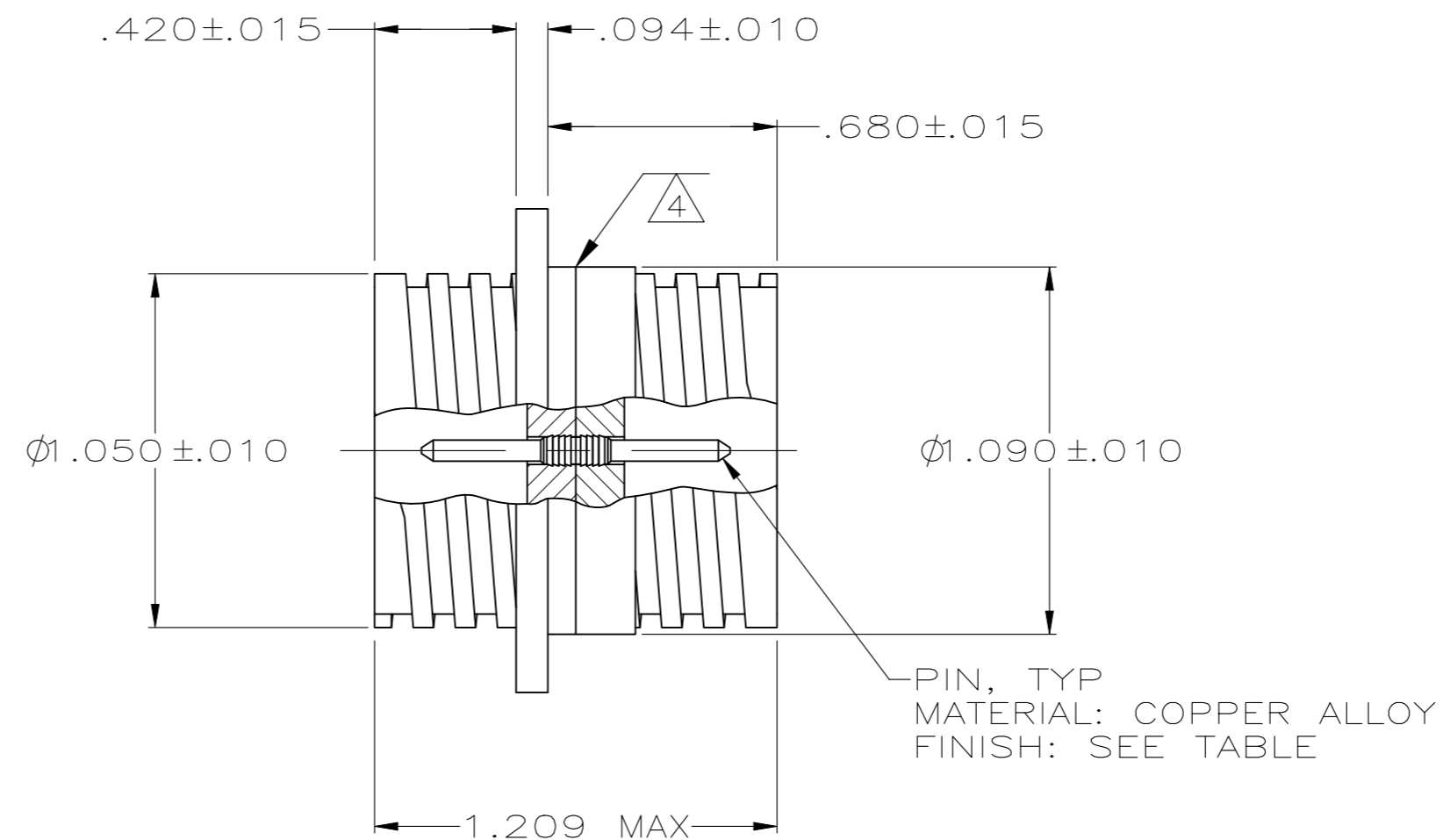
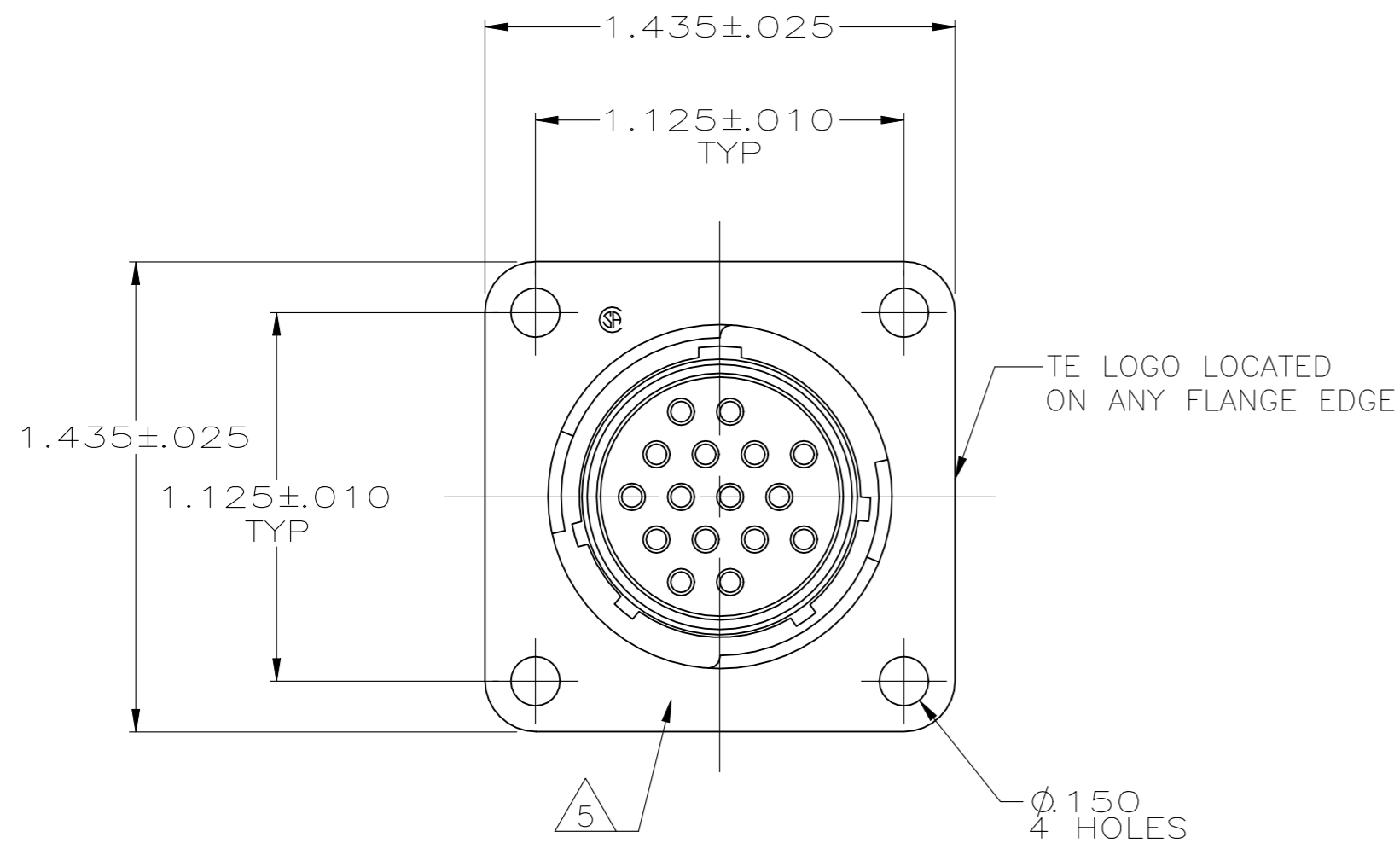


REVISIONS					
P	LTR	DESCRIPTION	DATE	DWN	APVD
H		REVISED PER ECO-21-006948	27OCT2021	RK	MZ



NOTES:

- 1 GOLD OVER NICKEL PLATED
- 2 TIN PLATED.
- 3. CONNECTORS ARE FULLY LOADED WITH 16 SIZE 16 PIN CONTACTS PERMANENTLY INSTALLED.
- 4 .012 MAXIMUM GAP PERMISSIBLE BETWEEN CONNECTOR HALVES.
- 5 PART NUMBER LOCATED ANYWHERE ON THIS SURFACE

OBSELETE	2	206552-2
	1	206552-1
CONTACT FINISH		PART NUMBER

THIS DRAWING IS A CONTROLLED DOCUMENT.		DWN J GALLUCCI BG 5-22-91	TE Connectivity	
DIMENSIONS: INCHES		CHK W.G.LENKER 4-13-92	RECEPTACLE ASSEMBLY, FEED THRU, SERIES 1, 17-16, CPC	
TOLERANCES UNLESS OTHERWISE SPECIFIED:		APVD -	NAME	
0 PLC ± -		PRODUCT SPEC 108-10024	SIZE CAGE CODE DRAWING NO RESTRICTED TO	
1 PLC ± -		APPLICATION SPEC	A2 00779 C=206552	
2 PLC ± -		WEIGHT -	SCALE 2:1 SHEET 1 of 1 REV H	
3 PLC ± .005		CUSTOMER DRAWING		
4 PLC ± -				
ANGLES ± -				
MATERIAL RCPT: THERMOPLASTIC		FINISH SEE TABLE		