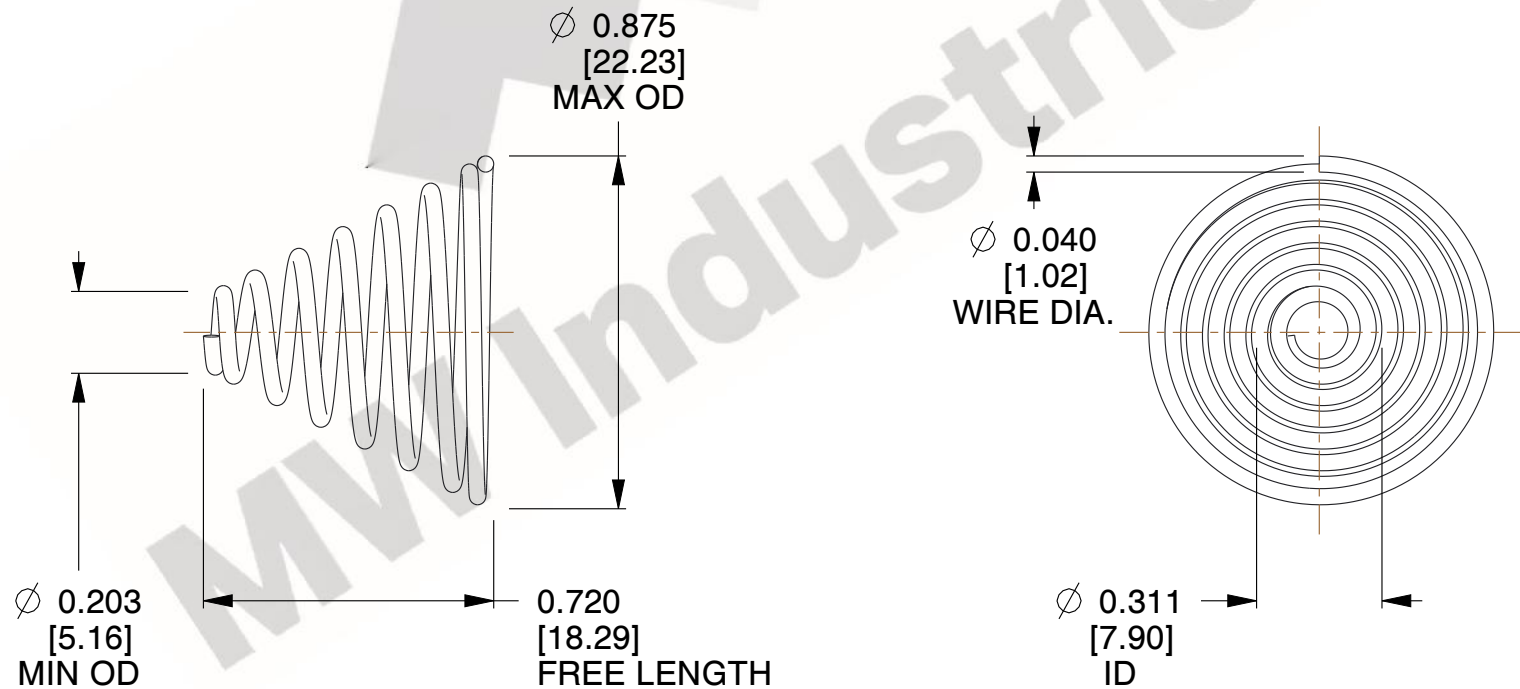
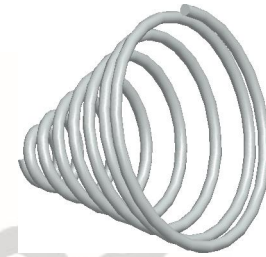


**NOTES:**

1. Material : Stainless Steel
2. Total Coils : 7.500
3. Solid Height : 0.450 (in)
4. Finish : ZINC
5. Ends : Closed
6. All Drawing Dimensions are in Inches [mm]



| COMPONENT        |  | TAPERED SPRINGS |           |
|------------------|--|-----------------|-----------|
| <b>TA-2204CS</b> |  | UNIT            | INCH [mm] |
|                  |  | SHEET           | 1 of 1    |
| TAPERED SPRINGS  |  |                 |           |