

THIS DRAWING IS UNPUBLISHED.

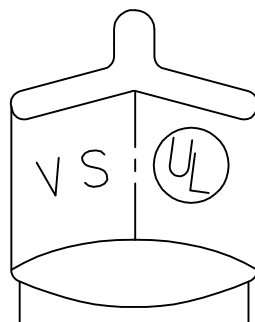
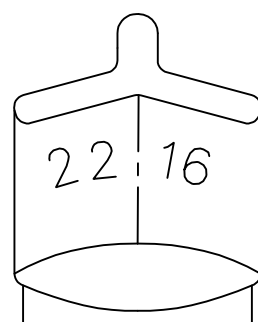
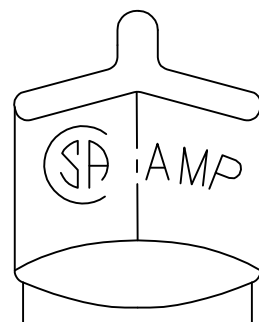
RELEASED FOR PUBLICATION

ALL RIGHTS RESERVED.

© COPYRIGHT - TE Connectivity

REVISIONS

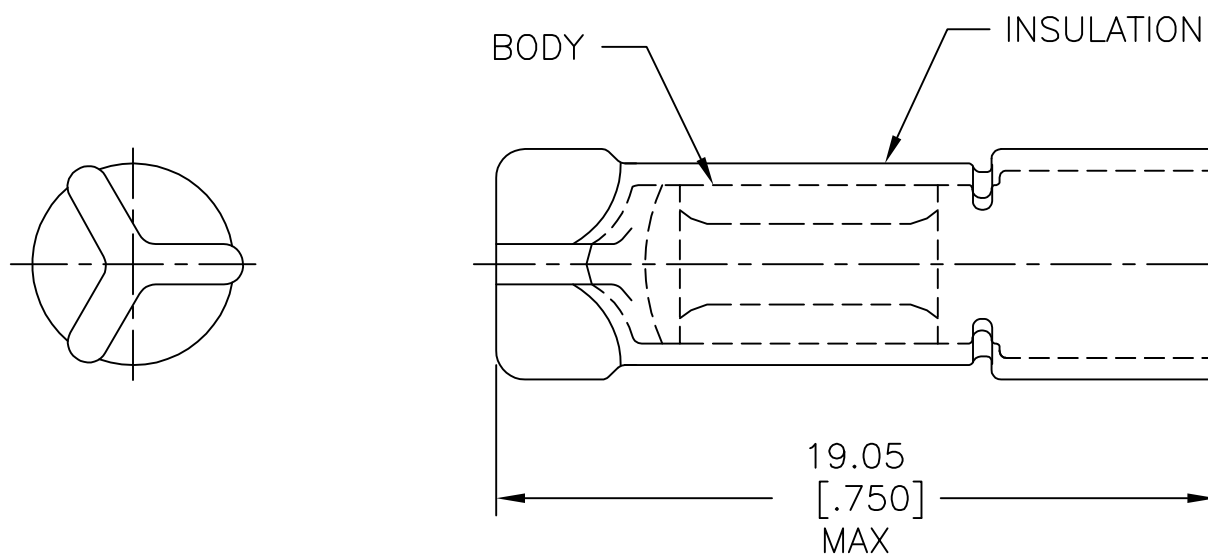
P	LTR	DESCRIPTION	DATE	DWN	APVD
	M	REV PER 0G3A-0256-04	13APR04	JR	TM
	M1	REVISED PER ECO-17-006294	10OCT2017	RS	DR



DETAIL OF STAMPING

- 1 FOR  $\phi 4.39$  [ $\phi.173$ ] MAX WIRE INSULATION.
- 2 MATERIAL: BODY; COPPER PER ASTM B152 INSULATION; PVC COLOR; BLUE
- 3 FINISH: BODY; TIN PLATE PER ASTM B-545

<b>AMP</b> WIRE RANGE	Listed	LR7189 Certified
22-16 AWG SOLID OR STRANDED	22-16 AWG SOLID OR STRANDED	22-16 AWG SOLID OR STRANDED



1000	LOOSE PC	34306
QTY	DESCRIPTION	PART NO

AMP INCORPORATED CUSTOMER SERVICE SYSTEMS		MAX RECOMMENDED OPERATING TEMPERATURE: 90°C [194°F] MAX
FOR ADDITIONAL PRODUCT INFORMATION OR COPIES OF DRAWINGS AND TECHNICAL DOCUMENTS	PRODUCT INFORMATION CENTER 1-800-522-6752	VOLTAGE RATING: 300V MAX
FOR APPLICATION TOOLING INFORMATION	TOOLING ASSISTANCE CENTER 1-800-722-1111	CIRCULAR MIL AREA: 1.65-2.47mm² [3248-4872] SOLID OR STRANDED
FOR ORDER ENTRY	1-800-526-5142	THIS DRAWING IS A CONTROLLED DOCUMENT FOR AMP INCORPORATED. IT IS SUBJECT TO CHANGE AND THE CONTROLLING ENGINEERING ORGANIZATION SHOULD BE CONTACTED FOR THE LATEST REVISION.

THIS DRAWING IS A CONTROLLED DOCUMENT.	
DIMENSIONS: mm [INCHES]	TOLERANCES UNLESS OTHERWISE SPECIFIED:
	0 PLC ± -
	1 PLC ± -
	2 PLC ± 0.20[.008]
	3 PLC ± -
	4 PLC ± -
	ANGLES ± -
MATERIAL	FINISH

DWN G KRUPER 1/93	TE Connectivity			
CHK R HERSEY 1/93				
APVD M ELLIS 1/93	NAME SPLICE, WIRE, CLOSED END 22-16 AWG			
PRODUCT SPEC	SIZE	CAGE CODE	DRAWING NO	RESTRICTED TO
APPLICATION SPEC	A3	00779	C-34306	-
WEIGHT	CUSTOMER DRAWING			SCALE 5:1
	SHEET 1 OF 1		REV M1	