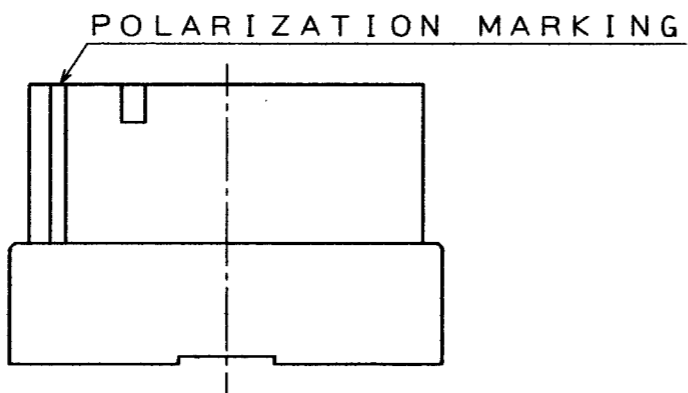
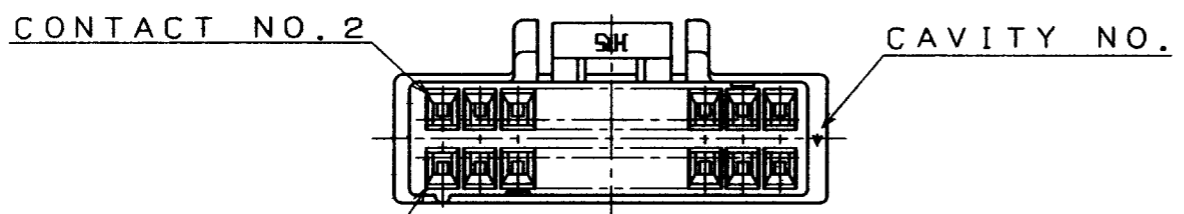
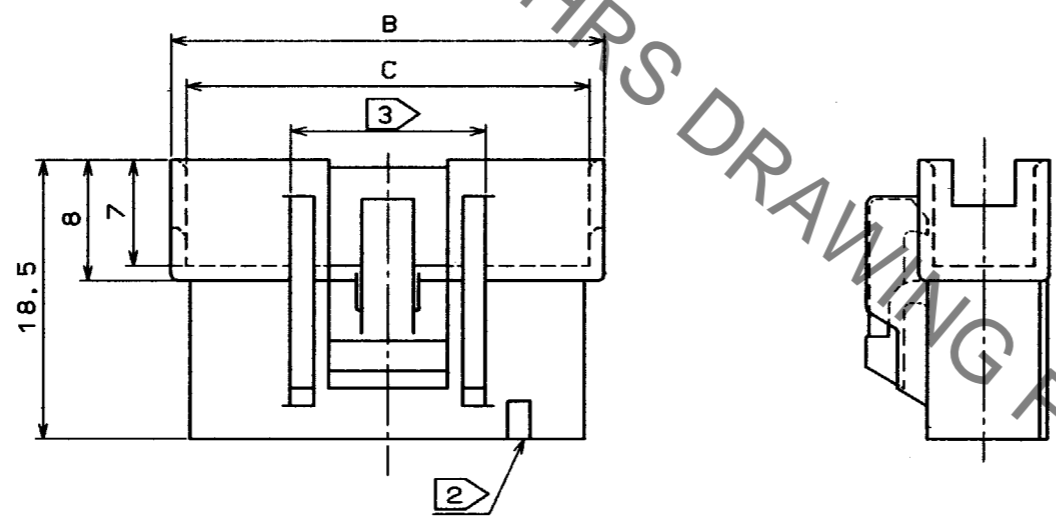
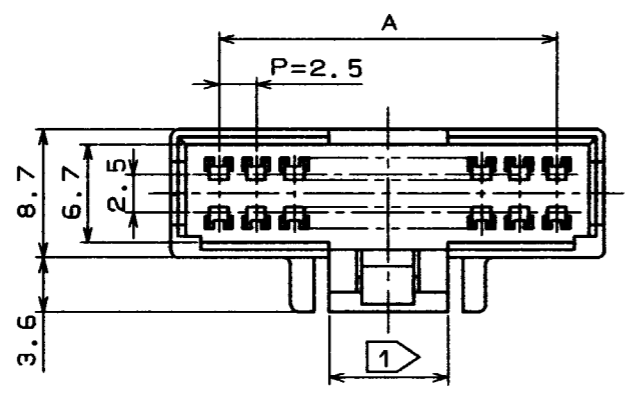


May.1.2023 Copyright 2023 HIROSE ELECTRIC CO., LTD. All Rights Reserved.
In case of consideration for using Automotive equipment / device which demand high reliability, kindly contact our sales window correspondents.

COUNT	DESCRIPTION OF REVISIONS	BY	CHKD	DATE	COUNT	DESCRIPTION OF REVISIONS	BY	CHKD	DATE



UNIT: (mm)

HRS NO.	PART NO.	A	B	C
CL541-0366-9	DF1B-10DEP-2.5RC	10.0	17.2	15.2
CL541-0367-1	DF1B-12DEP-2.5RC	12.5	19.7	17.7
CL541-0368-4	DF1B-14DEP-2.5RC	15.0	22.2	20.2
CL541-0369-7	DF1B-16DEP-2.5RC	17.5	24.7	22.7
CL541-0350-9	DF1B-18DEP-2.5RC	20.0	27.2	25.2
CL541-0370-6	DF1B-20DEP-2.5RC	22.5	29.7	27.7
CL541-0371-9	DF1B-22DEP-2.5RC	25.0	32.2	30.2
CL541-0372-1	DF1B-24DEP-2.5RC	27.5	34.7	32.7
CL541-0373-4	DF1B-26DEP-2.5RC	30.0	37.2	35.2
CL541-0374-7	DF1B-28DEP-2.5RC	32.5	39.7	37.7
CL541-0375-0	DF1B-30DEP-2.5RC	35.0	42.2	40.2
CL541-0376-2	DF1B-32DEP-2.5RC	37.5	44.7	42.7
CL541-0377-5	DF1B-34DEP-2.5RC	40.0	47.2	45.2

- ① 10 CONTACTS TO 18 CONTACTS SHALL BE 5.5mm.
20 CONTACTS TO 34 CONTACTS SHALL BE 8mm.
- ② THE POSITION OF CONTACT NO.5, 10, 15, ... SHALL BE MARKED.
- ③ 10 CONTACTS TO 18 CONTACTS SHALL BE 10.5mm.
20 CONTACTS TO 34 CONTACTS SHALL BE 13mm.

TO

NO. MATERIAL FINISH, REMARKS		1 POLYAMIDE NATURAL(WHITE) UL94V-0
CODE NO. (OLD)		NO. MATERIAL FINISH, REMARKS
DRAWN DESIGNED CHECKED APPROVED RELEASED		
m. Gotoh m. Gotoh J. Oma M. Yamamoto		
'94. 3. 24 '94. 3. 24 '94. 3. 25 '94. 3. 25		
DRAWING NO. EDC3-160056-01		PART NO. DF1B-*DEP-2.5RC
SCALE 2:1		CODE NO. 0350 9
UNITS mm		CL541-0377-5 1/1