

MODEL: CUSA-TR50-150-2500-W68 | **DESCRIPTION:** ULTRASONIC SENSOR

FEATURES

- aluminum can
- IP68 rated
- combination unit: receiver & transmitter
- wire leads

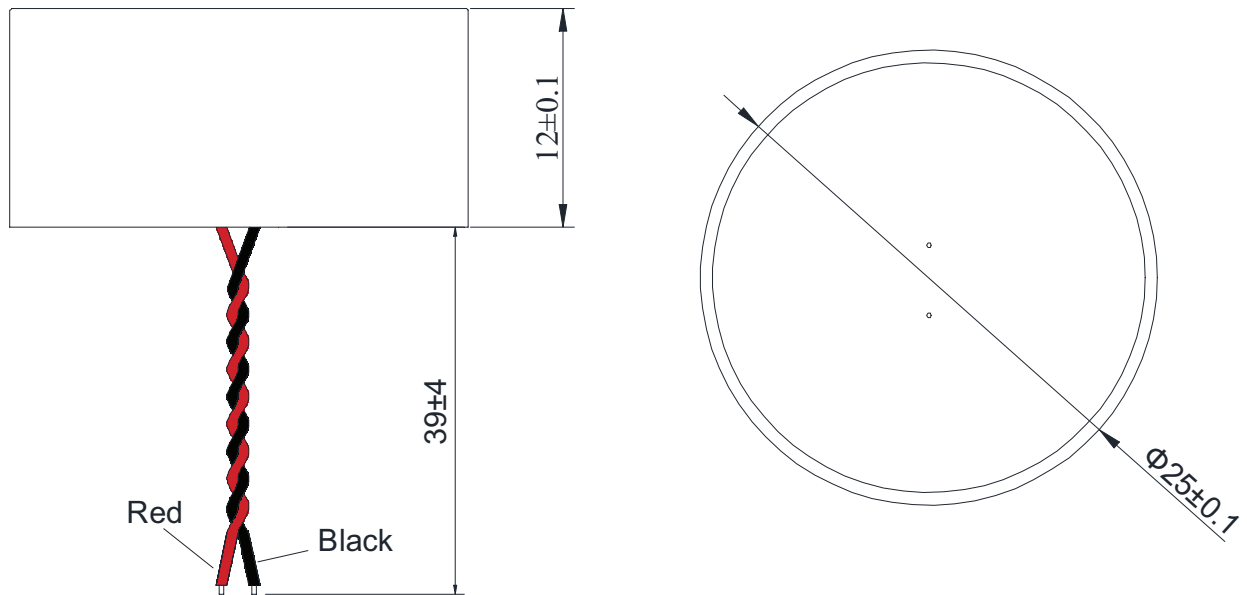

SPECIFICATIONS

| parameter | conditions/description | min | typ | max | units |
|-----------------------|----------------------------|-------|-------|-------|--------------------|
| type | transmitter/receiver | | | | |
| operating voltage | at 25 kHz | | | 150 | Vp-p |
| frequency | | 23.5 | 25 | 26.5 | kHz |
| echo sensitivity | at 1 m | 150 | | | mV |
| sound pressure level | at 10 V, 30 cm, sine wave | 110 | | | dB |
| directivity | at -6 dB | 35 | 50 | 65 | degree |
| capacitance | at 1 kHz | 2,000 | 2,500 | 3,000 | pF |
| detectable range | | 0.5 | | 15.0 | m |
| response time | | | | 2.0 | ms |
| impedance | | | | 3,000 | Ω |
| dimensions | $\varnothing 25 \times 12$ | | | | mm |
| material | aluminum | | | | |
| terminal | wire leads | | | | |
| weight | | | 7.32 | | g |
| operating temperature | | -40 | | 80 | $^{\circ}\text{C}$ |
| storage temperature | | -40 | | 85 | $^{\circ}\text{C}$ |
| RoHS | yes | | | | |
| IP level | IP68 | | | | |

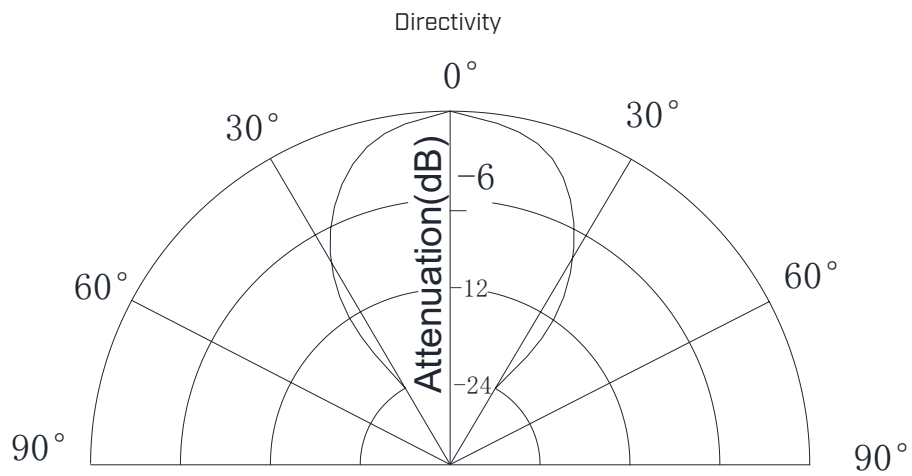
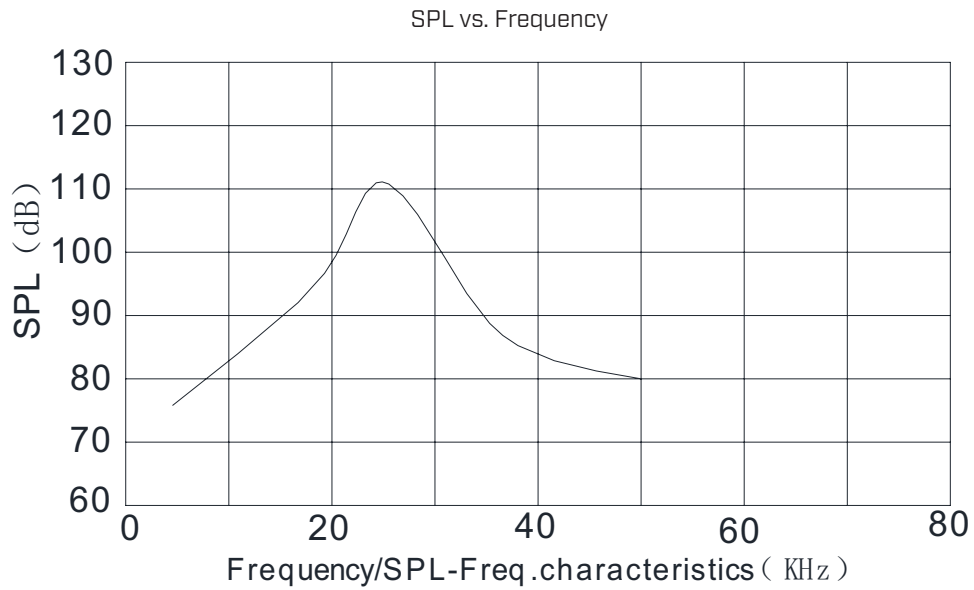
MECHANICAL DRAWING

units: mm

wire: UL1571 30 AWG



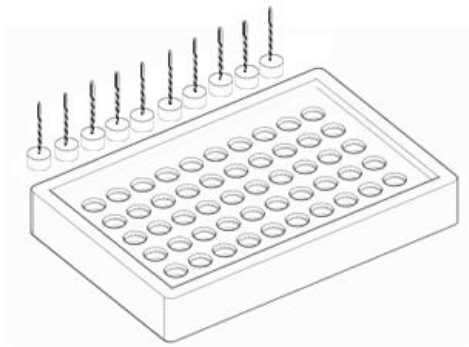
BEAM PATTERNS



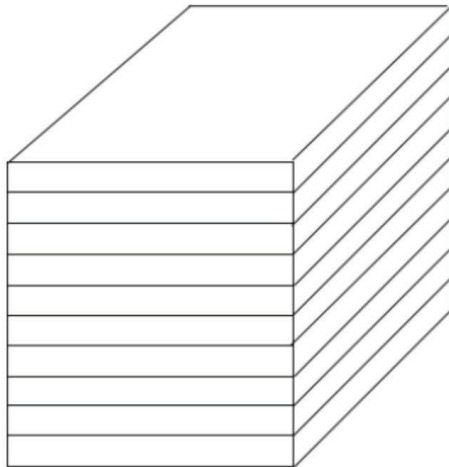
PACKAGING

units: mm

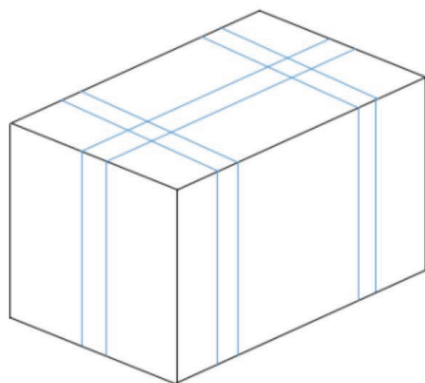
Tray Size: 350 x 195 x 35 mm
Tray QTY: 50 pcs per tray
Carton Size: 370 x 370 x 370 mm
Carton QTY: 1,000 pcs per carton



50PCS/BOX
BOX SIZE:35*19.5*3.5CM



10BOXES/STACK.TATAL 500PCS
STACK SIZE:35*19.5*35CM



1000PCS/CARTON
CARTON SIZE:37*37*37CM

REVISION HISTORY

| rev. | description | date |
|------|------------------------------|------------|
| 1.0 | initial release | 05/17/2022 |
| 1.01 | logo, datasheet style update | 08/05/2022 |

The revision history provided is for informational purposes only and is believed to be accurate.



CUI Devices offers a one (1) year limited warranty. Complete warranty information is listed on our website.

CUI Devices reserves the right to make changes to the product at any time without notice. Information provided by CUI Devices is believed to be accurate and reliable. However, no responsibility is assumed by CUI Devices for its use, nor for any infringements of patents or other rights of third parties which may result from its use.

CUI Devices products are not authorized or warranted for use as critical components in equipment that requires an extremely high level of reliability. A critical component is any component of a life support device or system whose failure to perform can be reasonably expected to cause the failure of the life support device or system, or to affect its safety or effectiveness.

cuidevices.com