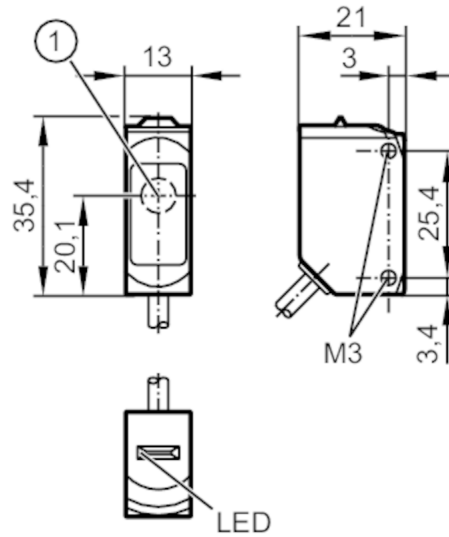


O6S200



Through-beam sensor transmitter

O6S-00KG



1 light emission



Product characteristics

Type of light	red light
Housing	rectangular

Application

Function principle	Through-beam sensor
--------------------	---------------------

Electrical data

Operating voltage	[V]	10...30 DC
Current consumption	[mA]	11; ((24 V))
Protection class		III
Type of light		red light
Wave length	[nm]	633

Detection zone

Transmitter / receiver		transmitter
Range	[m]	< 10
Max. light spot diameter	[mm]	300
Light spot dimensions refer to		at maximum range

Operating conditions

Ambient temperature	[°C]	-25...60
Protection		IP 65; IP 67

Tests / approvals

EMC		EN 60947-5-2
MTTF	[years]	2600
UL approval	UL Approval no.	E007

Mechanical data

Weight	[g]	56
--------	-----	----

O6S200



Through-beam sensor transmitter

O6S-00KG

Housing		rectangular
Dimensions	[mm]	35.4 x 13 x 21
Materials		housing: ABS; PPSU; Sealing: EPDM
Lens material		PMMA
Lens alignment		side lens
Tightening torque	[Nm]	0.5

Displays / operating elements

Display	operation	1 x LED, green
---------	-----------	----------------

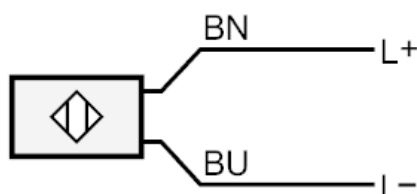
Remarks

Remarks	operating voltage "supply class 2" according to cULus	
Pack quantity	1 pcs.	

Electrical connection

Cable: 2 m, PUR; 2 x 0.25 mm²

Connection



BN = Core colours : brown
BU = blue

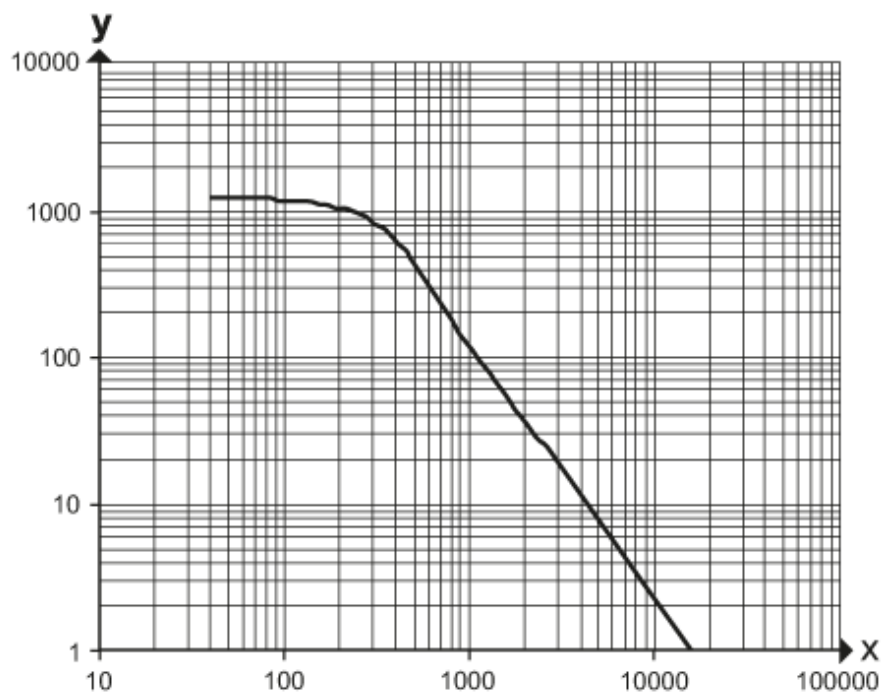


Through-beam sensor transmitter

O6S-00KG

Diagrams and graphs

excess gain graph



x: distance [mm]

y: excess gain factor