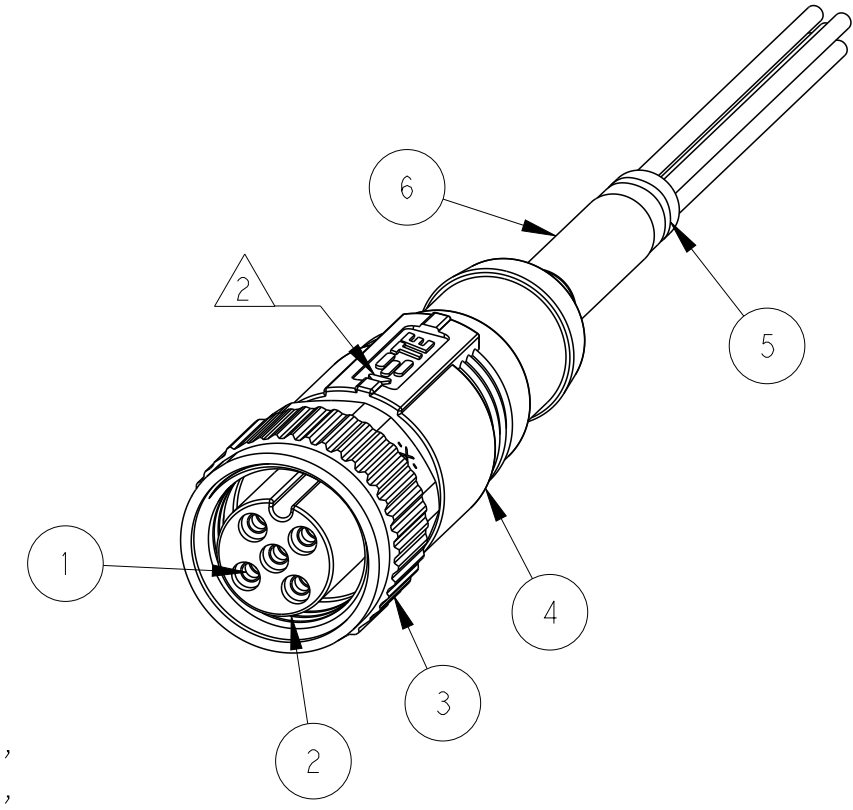
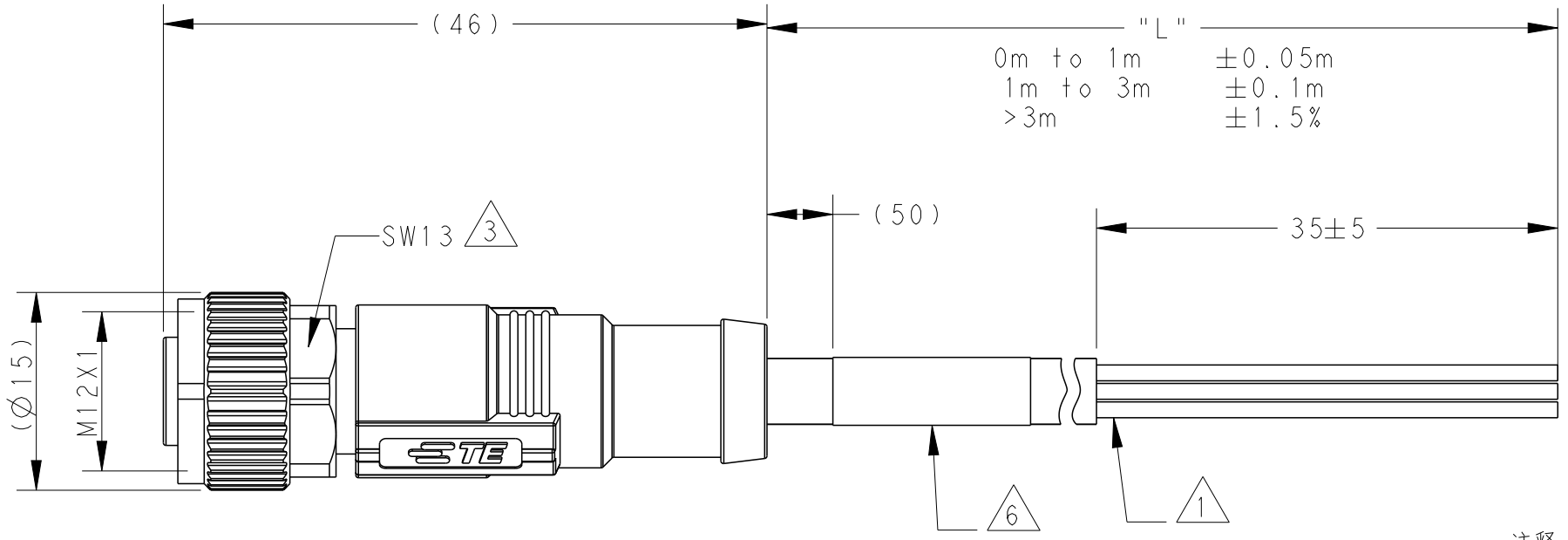
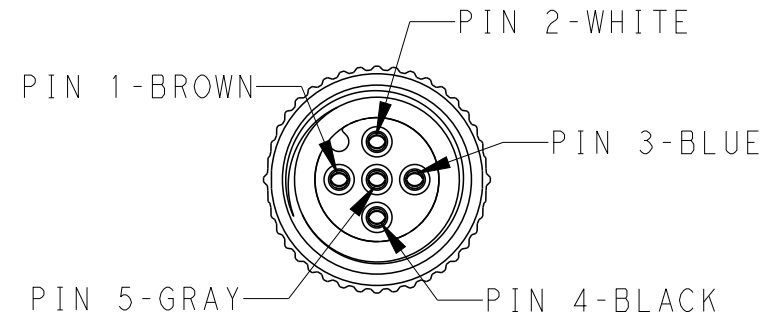


THIS DRAWING IS UNPUBLISHED. RELEASED FOR PUBLICATION 20
 © COPYRIGHT 20 BY - ALL RIGHTS RESERVED.

ITEM	DESCRIPTION	MATERIAL	OTHERS
1	FEMALE CONTACT	BRONZE	GOLD PLATED
2	HOUSING	NYLON	BLACK
3	COUPLING NUT	ZAMACK	NICKEL PLATED
4	OVER-MOLDING	POLYURETHANE	BLUE
5	CABLE	-	-
6	LABEL	-	-

REVISIONS					
P	LTR	DESCRIPTION	DATE	DWN	APVD
A1		ECR-16-010106	14JUL2016	HW	XX
A2		ECR-16-015173	29OCT2016	BP	CW
B		ECR-18-019963	28DEC2018	G.W	C.W
B1		ECR-22-134410	28OCT2022	BP	CW



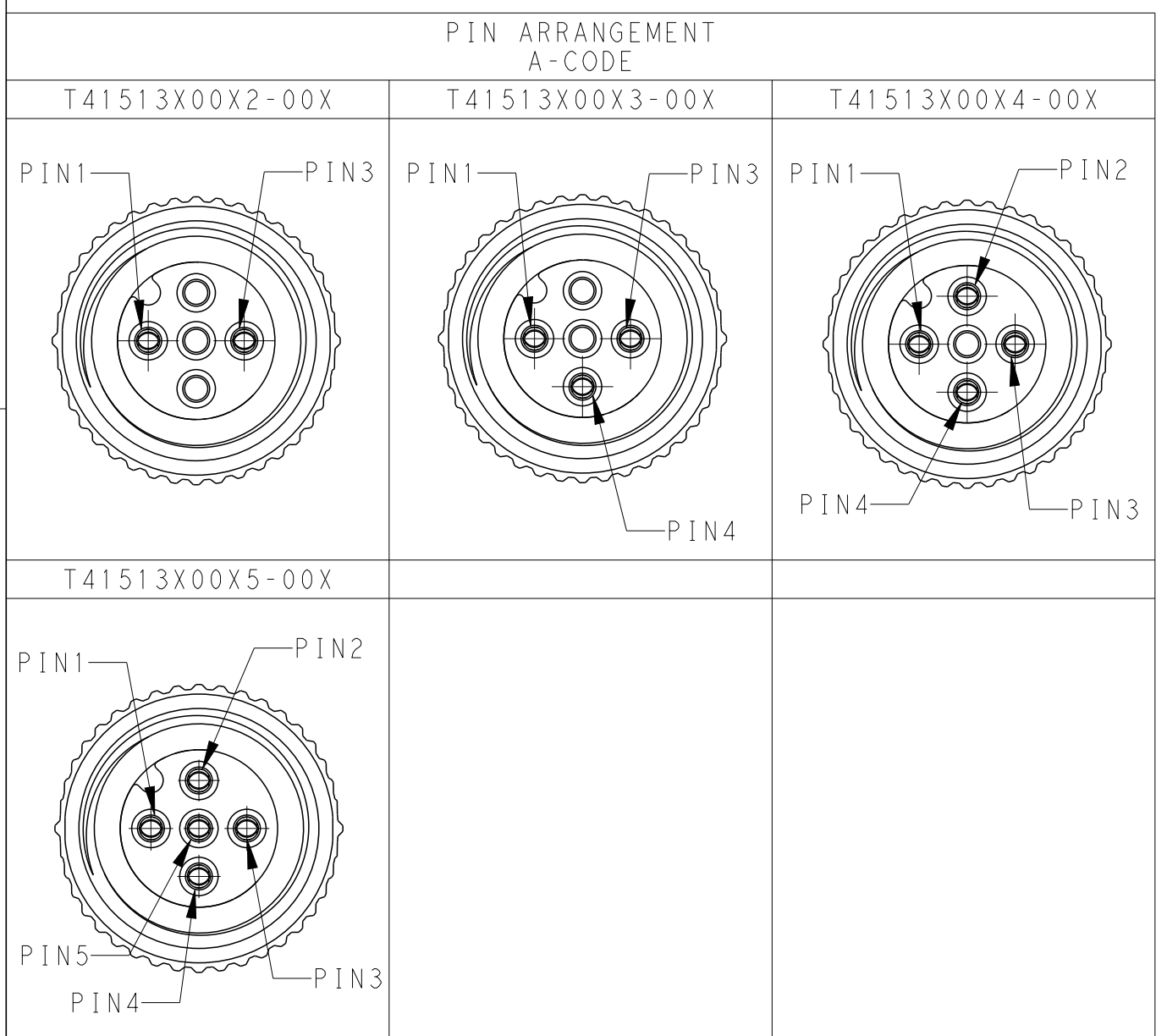
NOTE:
 △1. STRIP ALL THE INSULATION;
 △2. CODE POSITION INDICATOR;
 △3. RECOMMENDED TORQUE 0.6 Nm;
 △4. - **: CABLE LENGTH
 -0.5:0.5M,
 -1.0:1.0M,
 -1.5:1.5M,
 -3.0:3.0M,
 -5.0:5.0M,
 -7.0:7.0M,
 -10.0:10.0M;
 5. CABLE ASSEMBLY TO BE PACKAGED IN POLYBAGS;
 △6. LABEL CONTAINS: PN, DATE CODE...;
 △. -00X: FOR CABLE LENGTH, SEE TABLE E AND REFER TO LENGTH "L".

注释:
 △1. 全剥护套绝缘层;
 △2. CODE位置指示;
 △3. 推荐扭矩0.6 Nm;
 △4. - **: 线缆长度
 -0.5:0.5M,
 -1.0:1.0M,
 -1.5:1.5M,
 -3.0:3.0M,
 -5.0:5.0M,
 -7.0:7.0M,
 -10.0:10.0M;
 5. 线缆组件塑料袋包装;
 △6. 标签包含: 产品编号, 日期代码...;
 △. -00X: 线缆长度, 参考表2, 参照长度 "L".

TECHNICAL DATA	T41513X00X2-00X	T41513X00X3-00X	T41513X00X4-00X	T41513X00X5-00X
RATED VOLTAGE	250V		60V	
RATED IMPULSE VOLTAGE	2500V		1500V	
RATED CURRENT	4A			
POLLUTION DEGREE	3			
OVERVOLTAGE CATEGORY	II			
MATERIAL GROUP	II			
DEGREE OF PROTECTION	IP67			

FOR CONFIGURED PARTS ONLINE, MATERIAL PART NUMBER START WITH C INSTEAD OF T, THESE CAN ONLY ORDER THROUGH CTO TOOL

对于在线定制的料号, 相关料号用C替代T, 这些料号通过CTO工具产生



WIRES: 0.50mm ² (20AWG) WIRE COLOR: WH/BR/BK/BL/GR OD: APPROX. 5.4MM FOR 4P 5.9MM FOR 5P	TANDARD: -001:0.5 M -002:1.0 M -003:1.5 M -004:3.0 M -005:5.0 M -006:7.0 M -007:10.0 M	FIXED: -40°C~+80°C FLXIBLE: -25°C~+80°C	BLACK	PUR (UL)	RPC-M12-FS-5CON-PUR-BK0.5-**-**△4	5	T4151380015-00X△4
WIRES: 0.50mm ² (20AWG) WIRE COLOR: WH/BR/BK/BL/GR OD: APPROX. 5.0MM	CUSTOMIZATION: -XX0:XX.0 M -XX5:XX.5 M -99X:0.X M	FIXED: -10°C~+80°C FLXIBLE: -5°C~+80°C	BLACK	PVC (UL)	RPC-M12-FS-4CON-PUR-BK0.5-**-**△4	4	T4151380014-00X△4
					RPC-M12-FS-5CON-PUR-**-**△4	5	T4151320005-00X△4
WIRES: 0.34mm ² (22AWG) WIRE COLOR: WH/BR/BK/BL/GR OD: APPROX. 4.5MM FOR 2P/3P APPROX. 5.5MM FOR 4P/5P	CUSTOMIZATION: -XX0:XX.0 M -XX5:XX.5 M -99X:0.X M	FIXED: -40°C~+80°C FLXIBLE: -25°C~+80°C	GRAY	PUR (UL)	RPC-M12-FS-4CON-PVC-**-S0.5△4	4	T4151350004-00X△4
					RPC-M12-FS-5CON-PUR-**-**△4	5	T4151320005-00X△4
					RPC-M12-FS-4CON-PUR-**-**△4	4	T4151320004-00X△4
					RPC-M12-FS-3CON-PUR-**-**△4	3	T4151320003-00X△4
					RPC-M12-FS-2CON-PUR-**-**△4	2	T4151320002-00X△4
					RPC-M12-FS-5CON-PVC-**-**△4	5	T4151310005-00X△4
FIXED: -10°C~+80°C FLXIBLE: -5°C~+80°C	BLACK	PVC (UL)	RPC-M12-FS-4CON-PVC-**-**△4	4	T4151310004-00X△4		
			RPC-M12-FS-3CON-PVC-**-**△4	3	T4151310003-00X△4		
			RPC-M12-FS-2CON-PVC-**-**△4	2	T4151310002-00X△4		
			TYPE	POS.	TE PN		

THIS DRAWING IS A CONTROLLED DOCUMENT.

DIMENSIONS: mm	TOLERANCES UNLESS OTHERWISE SPECIFIED: 0 PLC ± 1 PLC ± 2 PLC ± 3 PLC ± 4 PLC ± ANGLES ± FINISH	DWN: HAO WANG 11AUG2015 CHK: KOBBY ZHAO 11AUG2015 APVD: XIANG XU 11AUG2015	NAME: M12X1 STRAIGHT RECEPTACLE, FREE END A-CODE, UNSHIELDED, SIZE: A2 CAGE CODE: - DRAWING NO: C-T41513X00XX00X RESTRICTED TO: -
MATERIAL: -	-	PRODUCT SPEC: 108-106140 APPLICATION SPEC: - WEIGHT: -	SCALE: 1:1 SHEET: 1 OF 1 REV: B1

CUSTOMER DRAWING