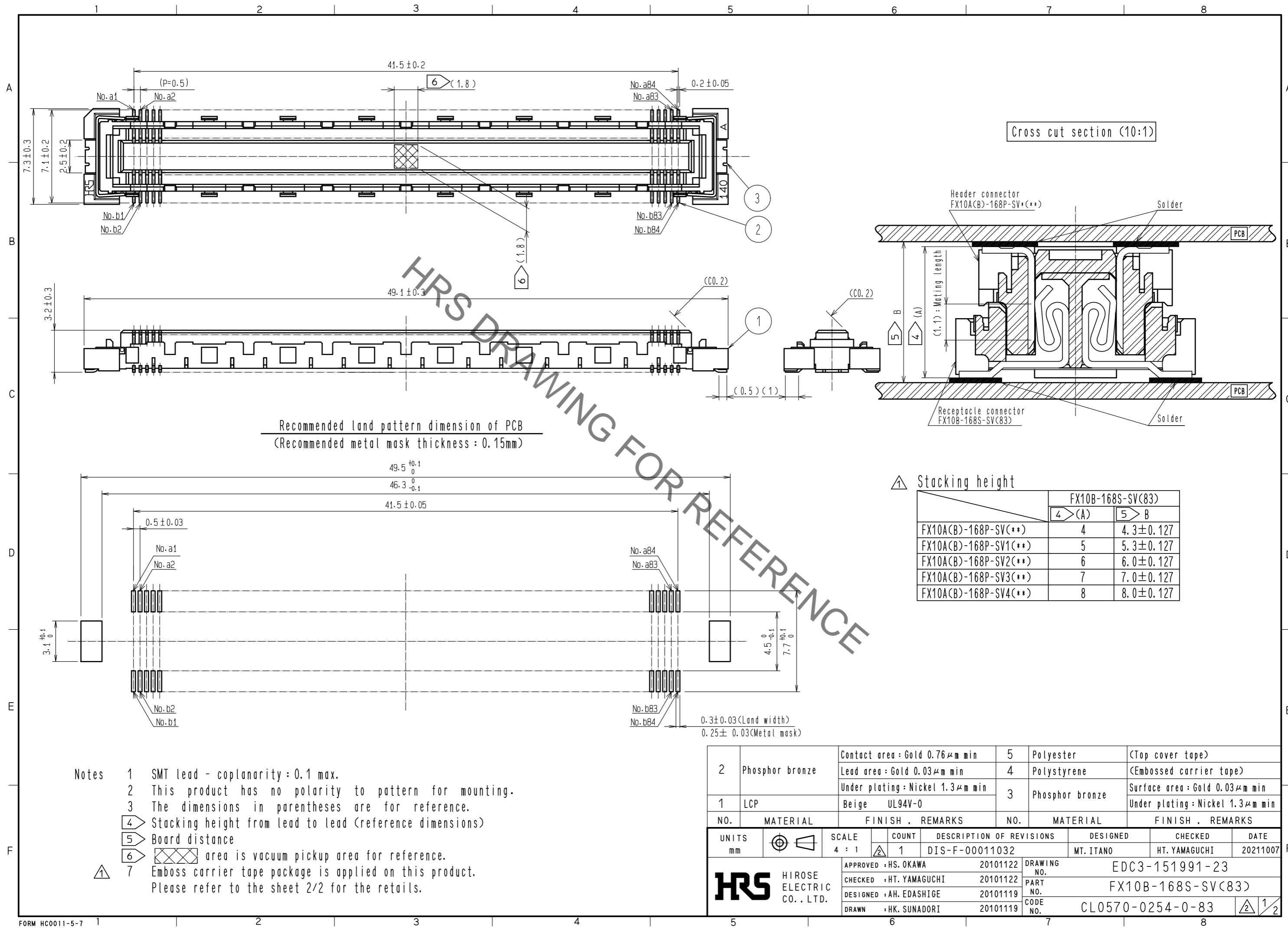


May.1.2023 Copyright 2023 HIROSE ELECTRIC CO., LTD. All Rights Reserved.
 In case of consideration for using Automotive equipment / device which demand high reliability, kindly contact our sales window correspondents.

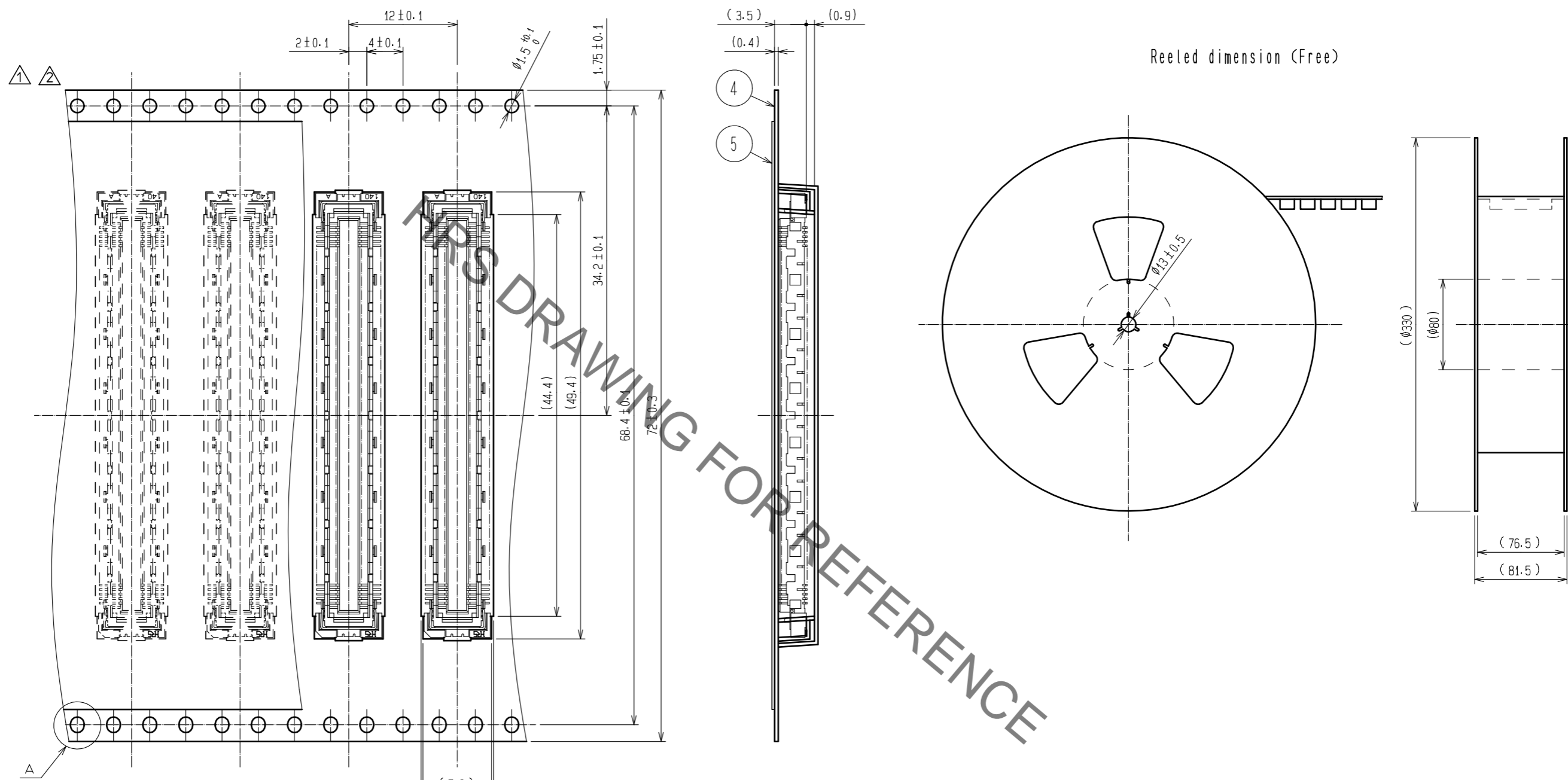


- Notes
- SMT lead - coplanarity : 0.1 max.
 - This product has no polarity to pattern for mounting.
 - The dimensions in parentheses are for reference.
 - Stacking height from lead to lead (reference dimensions)
 - Board distance
 - area is vacuum pickup area for reference.
 - Emboss carrier tape package is applied on this product. Please refer to the sheet 2/2 for the retails.

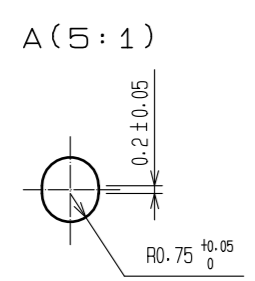
2	Phosphor bronze	Contact area : Gold 0.76 μm min	5	Polyester	(Top cover tape)
		Lead area : Gold 0.03 μm min	4	Polystyrene	(Embossed carrier tape)
		Under plating : Nickel 1.3 μm min	3	Phosphor bronze	Surface area : Gold 0.03 μm min
1	LCP	Beige UL94V-0			Under plating : Nickel 1.3 μm min
NO.	MATERIAL	FINISH . REMARKS	NO.	MATERIAL	FINISH . REMARKS
UNITS mm		SCALE 4 : 1	COUNT 1	DESCRIPTION OF REVISIONS DIS-F-00011032	
DESIGNED MT. ITANO		CHECKED HT. YAMAGUCHI		DATE 20211007	
APPROVED : HS. OKAWA 20101122		DRAWING NO. EDC3-151991-23			
CHECKED : HT. YAMAGUCHI 20101122		PART NO. FX10B-168S-SV(83)			
DESIGNED : AH. EDASHIGE 20101119		CODE NO. CL0570-0254-0-83			
DRAWN : HK. SUNADORI 20101119					

May.1.2023 Copyright 2023 HIROSE ELECTRIC CO., LTD. All Rights Reserved.
 In case of consideration for using Automotive equipment / device which demand high reliability, kindly contact our sales window correspondents.

Drawing for packing (2:1)



The direction of pulling out



- Notes
- 8 1 reel : 1,000 connectors.
 - 9 Minimum 10 compartments from both reel ends remain empty.
 - 10 This product has no polarity to tape and reel packaging.
 - 11 The dimensions in parentheses are for reference.

HRS	DRAWING NO.	EDC3-151991-23	
	PART NO.	FX10B-168S-SV(83)	
	CODE NO.	CL0570-0254-0-83	2/2