



COAXIAL

# Termination

## ANNE-50X+

50Ω DC to 20000 MHz SMA-Male

### FEATURES

- Ultra-Wideband, DC to 20000 MHz
- Return Loss, 40 dB typ. up to 4000 MHz and 30 dB typ. 10 to 20000 MHz
- Rugged Construction



Generic photo used for illustration purposes only

### APPLICATIONS

- Cellular Communications
- Satellite Communications
- Test Set-up
- Defense & Radar

Model No.	ANNE-50X+
Case Style	LL561
Connectors	SMA-Male

**+RoHS Compliant**  
 The +Suffix identifies RoHS Compliance.  
 See our website for methodologies and qualifications

### ELECTRICAL SPECIFICATIONS $T_{AMB} = 25^{\circ}C$

Parameter	Condition (GHz)	Min.	Typ.	Max.	Unit
Frequency Range		DC	—	40	GHz
Impedance		50			Ohms
Return Loss	DC - 8	30	—	—	dB
	8 - 12	26	—	—	
	12 - 18	24	—	—	
	18 - 40	22	—	—	
Input Power <sup>1</sup>	DC - 40	—	—	1	W

<sup>1</sup>At 50°C, derate linearly to 350mW at 100°C.

### ABSOLUTE MAXIMUM RATINGS<sup>1</sup>

Parameter	Ratings
Operating Temperature	-55 °C to +100 °C
Storage Temperature	-55 °C to +100 °C

1. Permanent damage may occur if any of these limits are exceeded.

REV. F  
 ECO-016342  
 ANNE-50X+  
 MCL NY  
 230106





COAXIAL

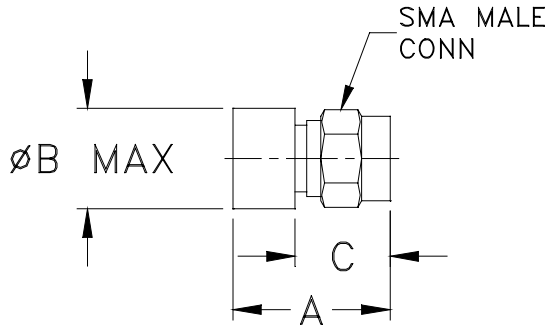
# Termination

**ANNE-50X+**

Mini-Circuits

50Ω DC to 20000 MHz SMA-Male

## OUTLINE DRAWING



## OUTLINE DIMENSIONS (Inch/mm)

A	B	C	wt
0.58	0.37	0.35	grams
14.73	9.40	8.89	4.0



COAXIAL

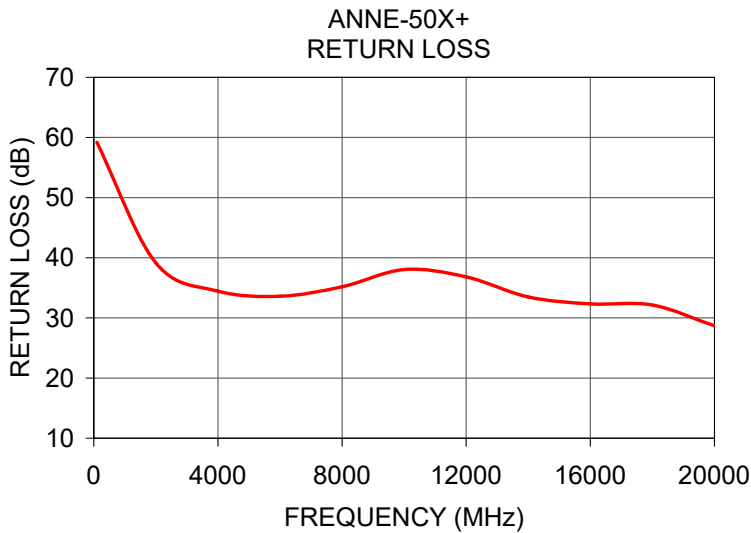
# Termination

ANNE-50X+

50Ω DC to 20000 MHz SMA-Male

## TYPICAL PERFORMANCE DATA

Frequency (MHz)	Return Loss (dB)
100	51.34
2000	39.76
4000	34.90
6000	34.04
8000	35.38
10000	36.62
12000	34.63
14000	30.99
16000	28.79
18000	27.29
20000	24.54



### NOTES

- A. Performance and quality attributes and conditions not expressly stated in this specification document are intended to be excluded and do not form a part of this specification document.
- B. Electrical specifications and performance data contained in this specification document are based on Mini-Circuit's applicable established test performance criteria and measurement instructions.
- C. The parts covered by this specification document are subject to Mini-Circuits standard limited warranty and terms and conditions (collectively, "Standard Terms"); Purchasers of this part are entitled to the rights and benefits contained therein. For a full statement of the standard terms and the exclusive rights and remedies thereunder, please visit Mini-Circuits' website at [www.minicircuits.com/terms/viewterm.html](http://www.minicircuits.com/terms/viewterm.html)

