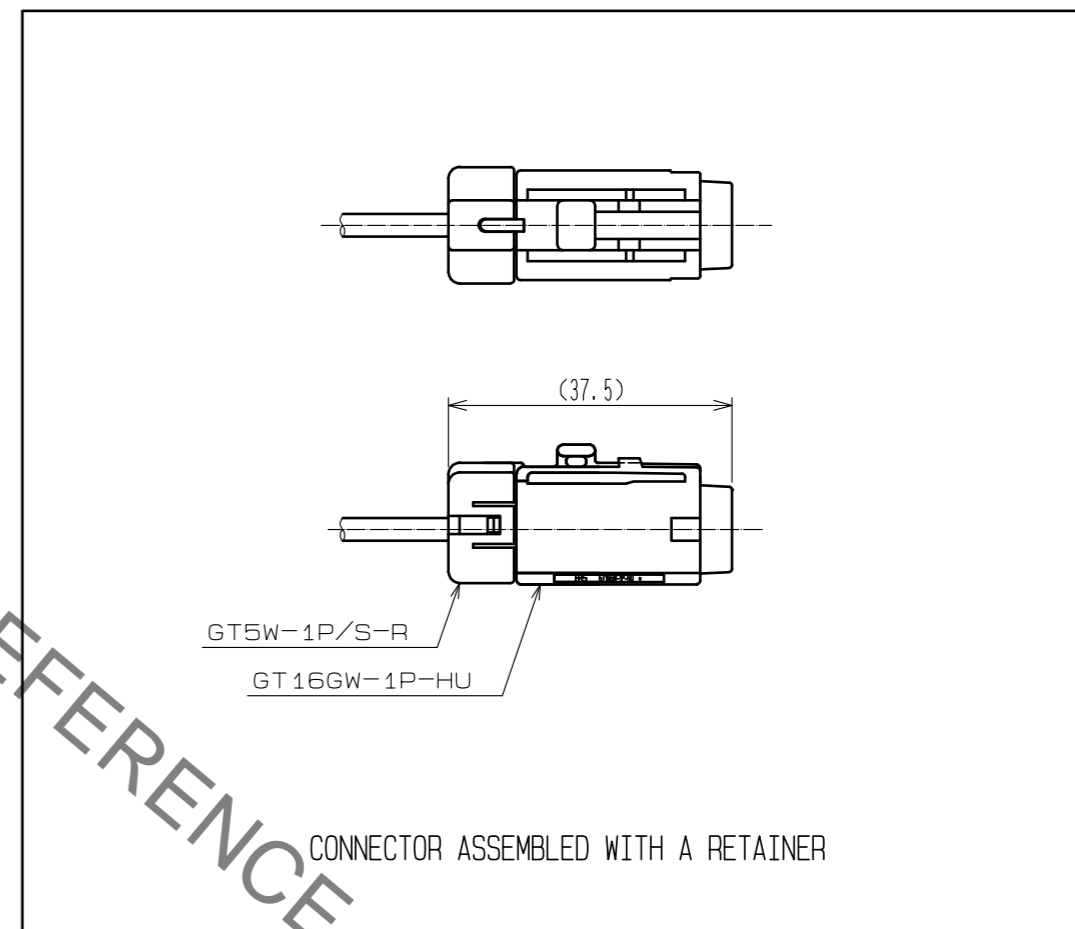
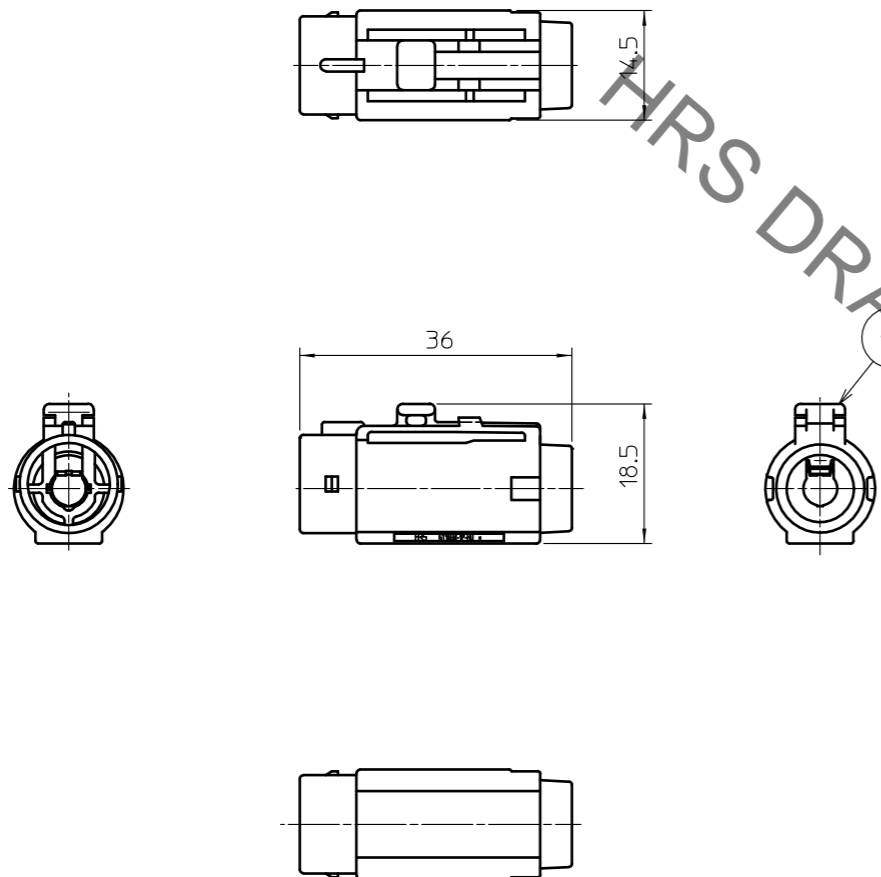


May.1.2023 Copyright 2023 HIROSE ELECTRIC CO., LTD. All Rights Reserved.
In case of consideration for using Automotive equipment / device which demand high reliability, kindly contact our sales window correspondents.

ELV. RoHS COMPLIANT



NOTE1. A SUITABLE RETAINER FOR CABLE SIZE SHALL BE ASSEMBLED BEFORE USE.

1	PBT-M	BLACK							
NO.	MATERIAL	FINISH .	REMARKS	NO.	MATERIAL	FINISH .	REMARKS		
UNITS			SCALE		DESCRIPTION OF REVISIONS		DESIGNED	CHECKED	DATE
mm			1 : 1						
HRS HIROSE ELECTRIC CO., LTD.			APPROVED : NH. NAKATA	15.09.03	DRAWING NO.		EDC-166652-00-00		
			CHECKED : KI. HIROKAWA	15.09.03	PART NO.		GT16GW-1P-HU		
			DESIGNED : ming. jiang	15.08.24	CODE NO.		CL766-0077-4-00		
			DRAWN : ming. jiang	15.08.24					