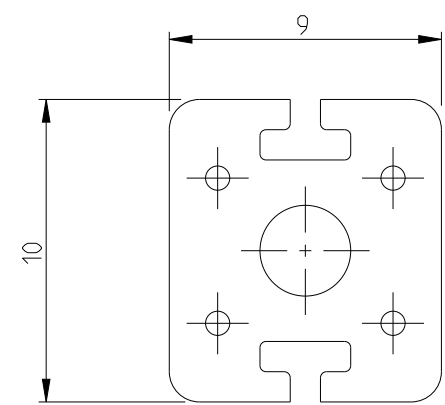
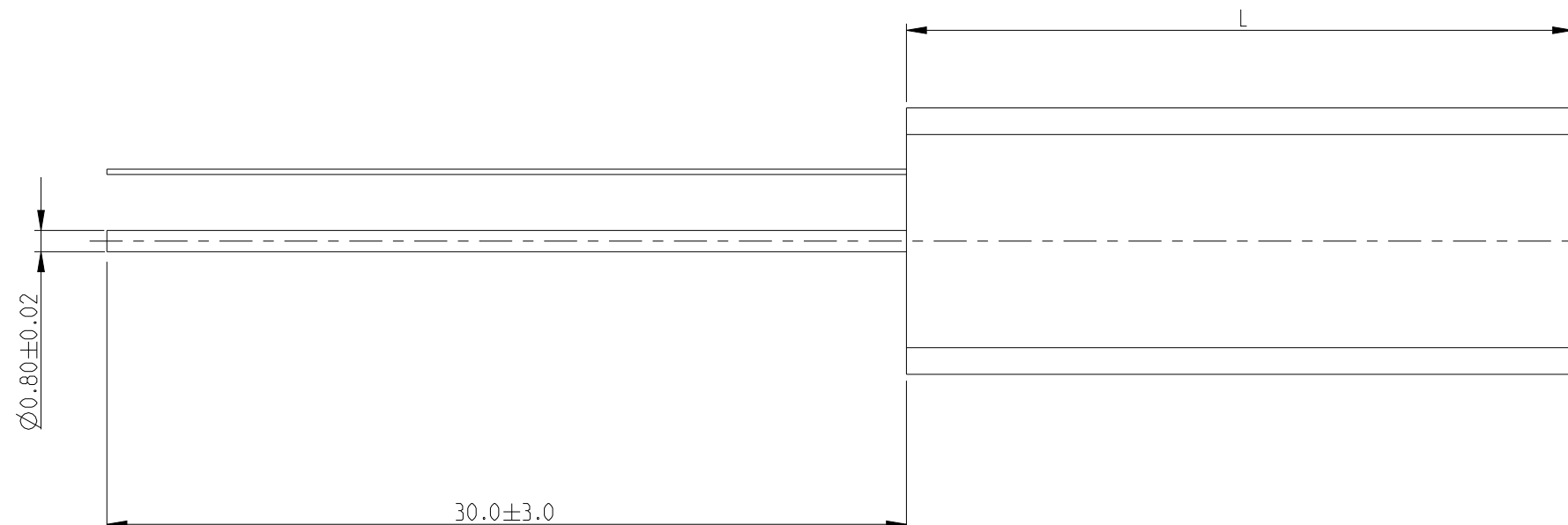


REVISIONS

P	LTR	DESCRIPTION	DATE	DWN	APVD
	BA	NEW RELEASE	27JULY2010	PT	St.P
	BA1	CLARIFICATION NOTE ADDED	18APR2022	DM	AP

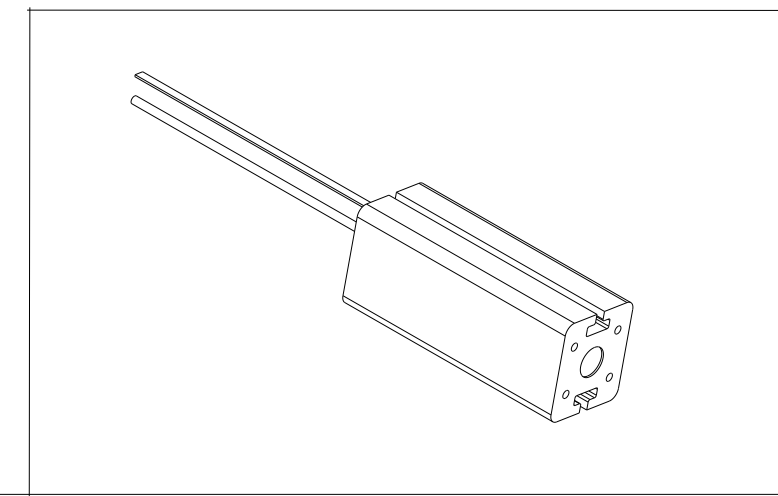


RoHS Compliant

NOTES:

- FOR FURTHER INFORMATION SEE DATA SHEET FOR SERIES TYPE SBC(SQUARE CERAMIC), HIGH POWER RESISTORS
- THE HOLES AND FLUTES SHOWN IN THE CERAMIC CASING ARE PURELY FOR MOUNTING PURPOSES AND DO NOT IN ANY WAY AFFECT THE DISSIPATION CAPABILITIES OF THE RESISTOR. THEY CAN OFTEN BECOME BLOCKED DURING THE MANUFACTURING PROCESS. THIS WILL NOT AFFECT THE PERFORMANCE IN ANY WAY.

MODEL	DIM L
SBCV-6	25
SBCV-11	50
SBCV-15	75



THIS DRAWING IS A CONTROLLED DOCUMENT.		DWN 27JULY2010 PARUSURAM.T		
DIMENSIONS: mm		CHK 27JULY2010 STEPHEN.P		
		APVD 27JULY2010 STEPHEN.P		
TOLERANCES UNLESS OTHERWISE SPECIFIED:		PRODUCT SPEC	NAME HIGH POWER RESISTOR TYPE SBC (SQUARE CERAMIC) SERIES SBCV	
0 PLC ±0.2		APPLICATION SPEC	SIZE A3 CAGE CODE 00779 DRAWING NO C=1623734 RESTRICTED TO -	
1 PLC ±0.1		WEIGHT 10g	SCALE 4:1 SHEET 1 OF 1 REV BA1	
2 PLC ±		CUSTOMER DRAWING		
3 PLC ±				
4 PLC ±				
ANGLES ±5°				
FINISH				
MATERIAL				