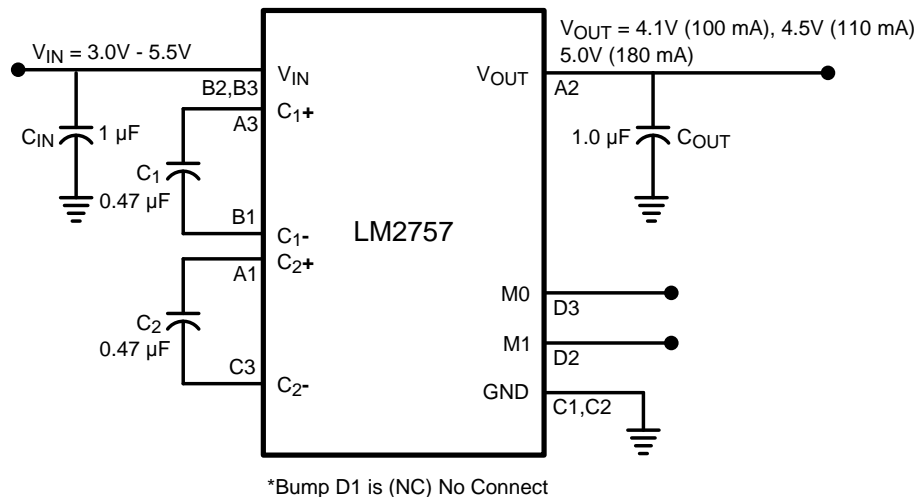


AN-1731 LM2757 Evaluation Board

1 General Description

This evaluation board is for the testing and evaluation of the LM2757 IC. A voltage supply is the only input needed to operate the device. To measure electrical quantities, however, test or measuring equipment (multimeters, oscilloscopes, and so forth) is needed.

2 Schematic



3 Bill of Materials (BOM)

Component Symbol	Value	Package [U.S. (Metric)]	Dimensions (mm)	Temperature Characteristic	Manufacturer	Part No
LM2757	--	DSBGA-12 0.4mm Pitch	1.2 x 1.6 x 0.6	--	National	LM2757
C _{IN}	1.0 µF, 10 V	0603 (1608)	1.6 x 0.8 x 0.8	X5R	TDK	C1608X5R1A105K
C _{OUT}	1.0 µF, 10 V	0603 (1608)	1.6 x 0.8 x 0.8	X5R	TDK	C1608X5R1A105K
C ₁ , C ₂	0.47 µF, 6.3 V	0402 (1005)	1 x 0.5 x 0.6	X5R	TDK	C1005X5R0J474K

4 LM2757 Evaluation Board Layout

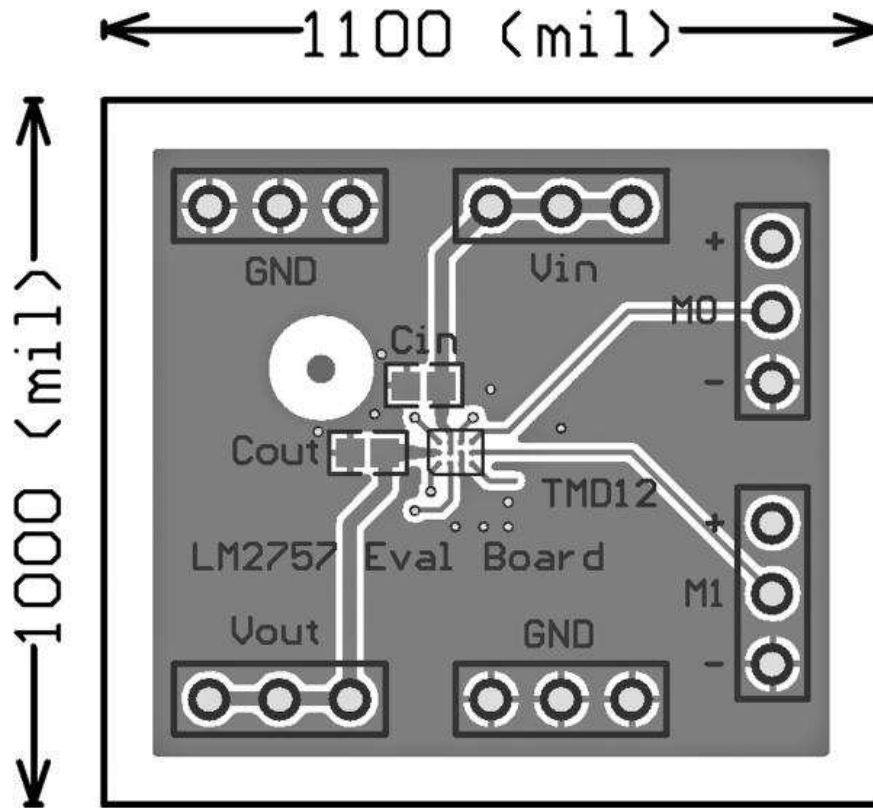


Figure 1. Top Layer

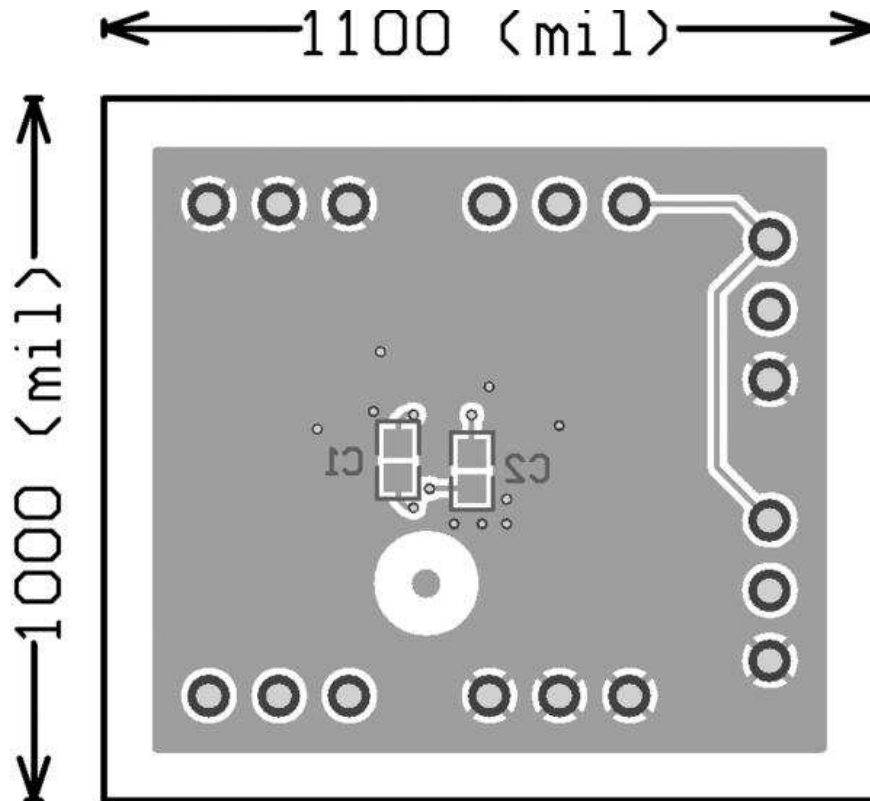


Figure 2. Bottom Layer (top view, unmirrored)

5 Board Operation

5.1 Basic Connections

To operate the LM2757 evaluation board, connect a supply voltage (2.7 V-5.5 V) to the board connector V_{IN} , and the supply ground to GND. The device shutdown and voltage modes are enabled via the jumpers on the M0 and M1 headers, according to [Table 1](#).

Table 1. Device Shutdown and Voltage Modes

M0	M1	Mode
0 (-)	0 (-)	Device Shutdown, Output High Impedance
0 (-)	1 (+)	5.0 V
1 (+)	0 (-)	4.5 V
1 (+)	1 (+)	4.1 V

5.2 Circuit Description

The core of the LM2757 is a two-phase charge pump controlled by an internally generated non-overlapping clock. The charge pump operates by using external flying capacitors C_1 , C_2 to transfer charge from the input to the output. At input voltages below 3.9 V (typ.) for the 5 V mode, the LM2757 operates in a 2x gain, with the input current being equal to 2x the load current. At input voltages above 3.9 V (typ.) for the 5 V mode, the part utilizes a gain of 3/2x, resulting in an input current equal to 3/2 times the load current. For the 4.5 V mode, the LM2757 operates in a 2x gain when the input voltage is below 3.35 V (typ.) and transitions to a 3/2x gain when the input voltage is above 3.35 V (typ.). For the 4.1 V mode, the device utilizes the 3/2x gain for the entire input voltage range.

The two phases of the switched capacitor switching cycle will be referred to as "phase one" and "phase two". During phase one, one flying capacitor is charged by the input supply while the other flying capacitor is connected to the output and delivers charge to the load. After half of the switching cycle [$t = 1/(2 \times F_{SW})$], the LM2757 switches to phase two. In this configuration, the capacitor that supplied charge to the load in phase one is connected to the input to be recharged while the capacitor that had been charged in the previous phase is connected to the output to deliver charge. With this topology, output ripple is reduced by delivering charge to the output in every phase.

The LM2757 uses fixed frequency pre-regulation to regulate the output voltage. The input and output connections of the flying capacitors are made with internal MOS switches. Pre-regulation limits the gate drive of the MOS switch connected between the voltage input and the flying capacitors. Controlling the on resistance of this switch limits the amount of charge transferred into and out of each flying capacitor during the charge and discharge phases, and in turn helps to keep the output ripple very low.

IMPORTANT NOTICE

Texas Instruments Incorporated and its subsidiaries (TI) reserve the right to make corrections, enhancements, improvements and other changes to its semiconductor products and services per JESD46, latest issue, and to discontinue any product or service per JESD48, latest issue. Buyers should obtain the latest relevant information before placing orders and should verify that such information is current and complete. All semiconductor products (also referred to herein as "components") are sold subject to TI's terms and conditions of sale supplied at the time of order acknowledgment.

TI warrants performance of its components to the specifications applicable at the time of sale, in accordance with the warranty in TI's terms and conditions of sale of semiconductor products. Testing and other quality control techniques are used to the extent TI deems necessary to support this warranty. Except where mandated by applicable law, testing of all parameters of each component is not necessarily performed.

TI assumes no liability for applications assistance or the design of Buyers' products. Buyers are responsible for their products and applications using TI components. To minimize the risks associated with Buyers' products and applications, Buyers should provide adequate design and operating safeguards.

TI does not warrant or represent that any license, either express or implied, is granted under any patent right, copyright, mask work right, or other intellectual property right relating to any combination, machine, or process in which TI components or services are used. Information published by TI regarding third-party products or services does not constitute a license to use such products or services or a warranty or endorsement thereof. Use of such information may require a license from a third party under the patents or other intellectual property of the third party, or a license from TI under the patents or other intellectual property of TI.

Reproduction of significant portions of TI information in TI data books or data sheets is permissible only if reproduction is without alteration and is accompanied by all associated warranties, conditions, limitations, and notices. TI is not responsible or liable for such altered documentation. Information of third parties may be subject to additional restrictions.

Resale of TI components or services with statements different from or beyond the parameters stated by TI for that component or service voids all express and any implied warranties for the associated TI component or service and is an unfair and deceptive business practice. TI is not responsible or liable for any such statements.

Buyer acknowledges and agrees that it is solely responsible for compliance with all legal, regulatory and safety-related requirements concerning its products, and any use of TI components in its applications, notwithstanding any applications-related information or support that may be provided by TI. Buyer represents and agrees that it has all the necessary expertise to create and implement safeguards which anticipate dangerous consequences of failures, monitor failures and their consequences, lessen the likelihood of failures that might cause harm and take appropriate remedial actions. Buyer will fully indemnify TI and its representatives against any damages arising out of the use of any TI components in safety-critical applications.

In some cases, TI components may be promoted specifically to facilitate safety-related applications. With such components, TI's goal is to help enable customers to design and create their own end-product solutions that meet applicable functional safety standards and requirements. Nonetheless, such components are subject to these terms.

No TI components are authorized for use in FDA Class III (or similar life-critical medical equipment) unless authorized officers of the parties have executed a special agreement specifically governing such use.

Only those TI components which TI has specifically designated as military grade or "enhanced plastic" are designed and intended for use in military/aerospace applications or environments. Buyer acknowledges and agrees that any military or aerospace use of TI components which have **not** been so designated is solely at the Buyer's risk, and that Buyer is solely responsible for compliance with all legal and regulatory requirements in connection with such use.

TI has specifically designated certain components as meeting ISO/TS16949 requirements, mainly for automotive use. In any case of use of non-designated products, TI will not be responsible for any failure to meet ISO/TS16949.

Products

Audio	www.ti.com/audio
Amplifiers	amplifier.ti.com
Data Converters	dataconverter.ti.com
DLP® Products	www.dlp.com
DSP	dsp.ti.com
Clocks and Timers	www.ti.com/clocks
Interface	interface.ti.com
Logic	logic.ti.com
Power Mgmt	power.ti.com
Microcontrollers	microcontroller.ti.com
RFID	www.ti-rfid.com
OMAP Applications Processors	www.ti.com/omap
Wireless Connectivity	www.ti.com/wirelessconnectivity

Applications

Automotive and Transportation	www.ti.com/automotive
Communications and Telecom	www.ti.com/communications
Computers and Peripherals	www.ti.com/computers
Consumer Electronics	www.ti.com/consumer-apps
Energy and Lighting	www.ti.com/energy
Industrial	www.ti.com/industrial
Medical	www.ti.com/medical
Security	www.ti.com/security
Space, Avionics and Defense	www.ti.com/space-avionics-defense
Video and Imaging	www.ti.com/video

TI E2E Community

e2e.ti.com