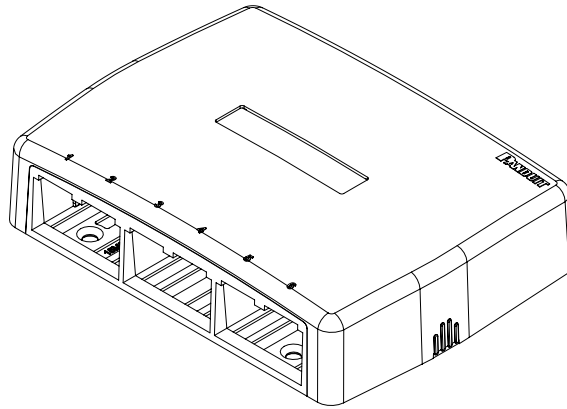
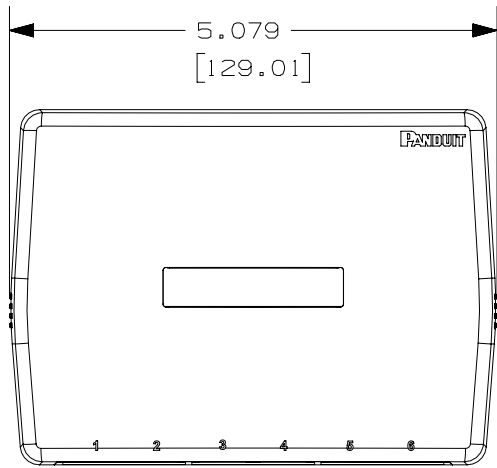


2

1

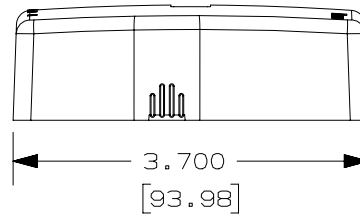
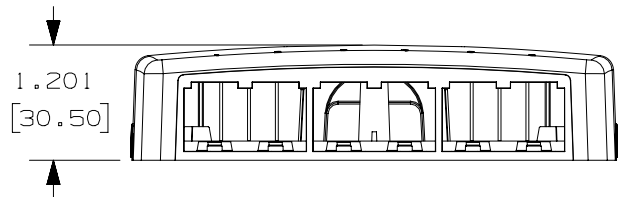
THIS COPY IS PROVIDED ON A RESTRICTED BASIS AND IS NOT TO BE USED IN ANY WAY DETRIMENTAL TO THE INTERESTS OF PANDUIT CORP.

PANDUIT P/N	WEIGHT
CBXQ6**-A	1.27 LB/10 PCS 574.5 g/10 PCS



NOTES:

1. SEE CURRENT CATALOG FOR ADDITIONAL PART NUMBER SUFFIXES TO INDICATE COLOR AND/OR PACKAGE QUANTITY.
2. SEE CATALOG FOR A COMPLETE LIST OF PARTS APPLICABLE FOR USE WITH THIS PART.
3. DIMENSIONS IN PARENTHESES ARE IN METRIC.
4. BREAKOUTS DESIGNED TO ACCEPT LD5/LDPH5 and LD10/LDPH10 RACEWAY.
5. INCLUDED WITH BOX KIT:
 - a. (1) BOX COVER
 - b. (1) BOX BASE
 - c. (2) PLT1M PAN-TY
 - d. (1) LABEL AND LABEL COVER
 - e. (1) SCREW (USED TO SECURE COVER TO BASE)
 - f. (2) STRIP OF 3.00" X .75" FOAM TAPE FOR MOUNTING



NO WARRANTY, EXPRESSED OR IMPLIED, IS MADE BY PANDUIT WITH RESPECT TO ADHESIVE BOND PERFORMANCE. AMONG OTHER THINGS, THE CONDITIONS UNDER WHICH THESE MOUNTS MAY BE APPLIED AND/OR THE SURFACE TO WHICH THEY MAY BE APPLIED ARE BEYOND PANDUIT'S CONTROL

PART NUMBER		SEE TABLE	
TITLE			
MINI-COM 6 PORT BOX w/ QUICK RELEASE COVER			
CUSTOMER DRAWING			
ITEM REVISION NAME		15M583CY/05	
DATASET FILE NAME		15M583CY_DC06/05A	
UNLESS OTHERWISE SPECIFIED, DIMENSIONAL TOLERANCES ARE: IN (mm)		PANDUIT	
.X ± .XX ±			
DRAWING NUMBER:		15M583CY-06	
THIRD ANGLE PROJECTION			
DRAWN BY	DATE	CHK	SCALE
TWV	7-19-16	JCO	NONE
SHT 1 OF 2		A	

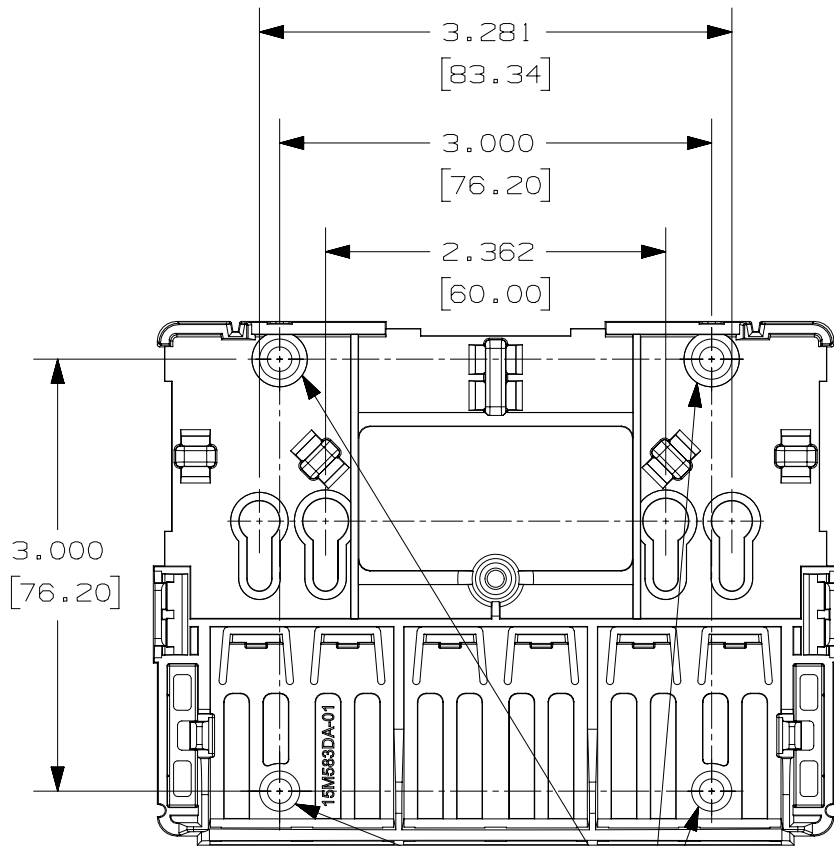
REV	DATE	BY	CHK	APR	DESCRIPTION	ECN
R	7-19-16	TWV	JCO	MMR	RELEASED TO PRODUCTION	15M583CY-06

2

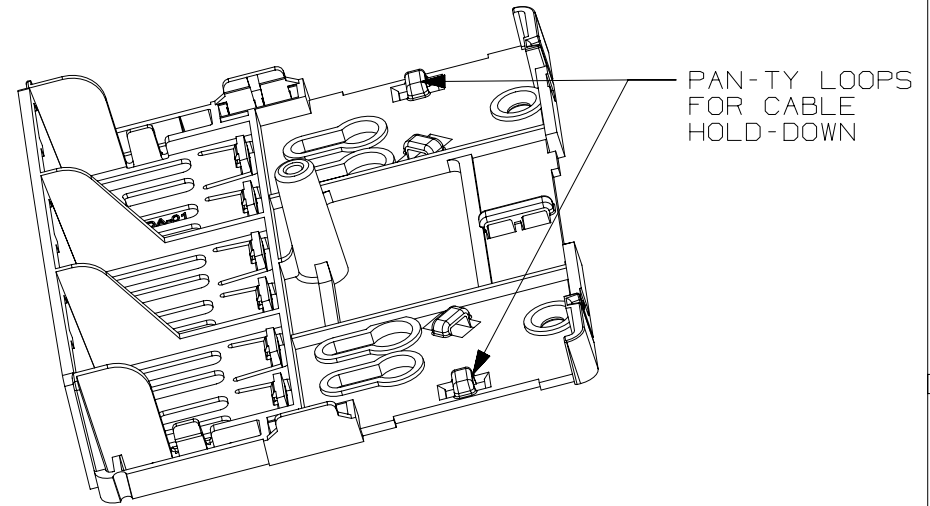
1

D10100DA/14

THIS COPY IS PROVIDED ON A RESTRICTED BASIS AND IS NOT TO BE USED IN ANY WAY DETRIMENTAL TO THE INTERESTS OF PANDUIT CORP.



MOUNTING HOLES FOR #6 COUNTERSUNK SCREW (NOT INCLUDED)



PART NUMBER		SEE TABLE	
TITLE			
MINI-COM 6 PORT BOX w/ QUICK RELEASE COVER			
CUSTOMER DRAWING			
ITEM REVISION NAME		15M583CY/05	
DATASET FILE NAME		15M583CY_DC06/05A	
UNLESS OTHERWISE SPECIFIED, DIMENSIONAL TOLERANCES ARE: IN (mm)		MATERIAL:	
.X ±		.XXX ±	
.XX ±		ANGLES ±	
		THIRD ANGLE PROJECTION	
DRAWN BY		DATE	
T WV		7-19-16	
CHK		SCALE	
J CO		NONE	
DRAWING NUMBER:		15M583CY-06	
REV		SHT 2 OF 2	
DATE		SIZE	
BY		A	
CHK			
APR			
DESCRIPTION		ECN	
		15M583CY-06	

R	7-19-16	T WV	J CO	MMR	SEE SHEET 1 FOR REVISION HISTORY	15M583CY-06
REV	DATE	BY	CHK	APR	DESCRIPTION	ECN

D10100DA/14

2

1

2

1