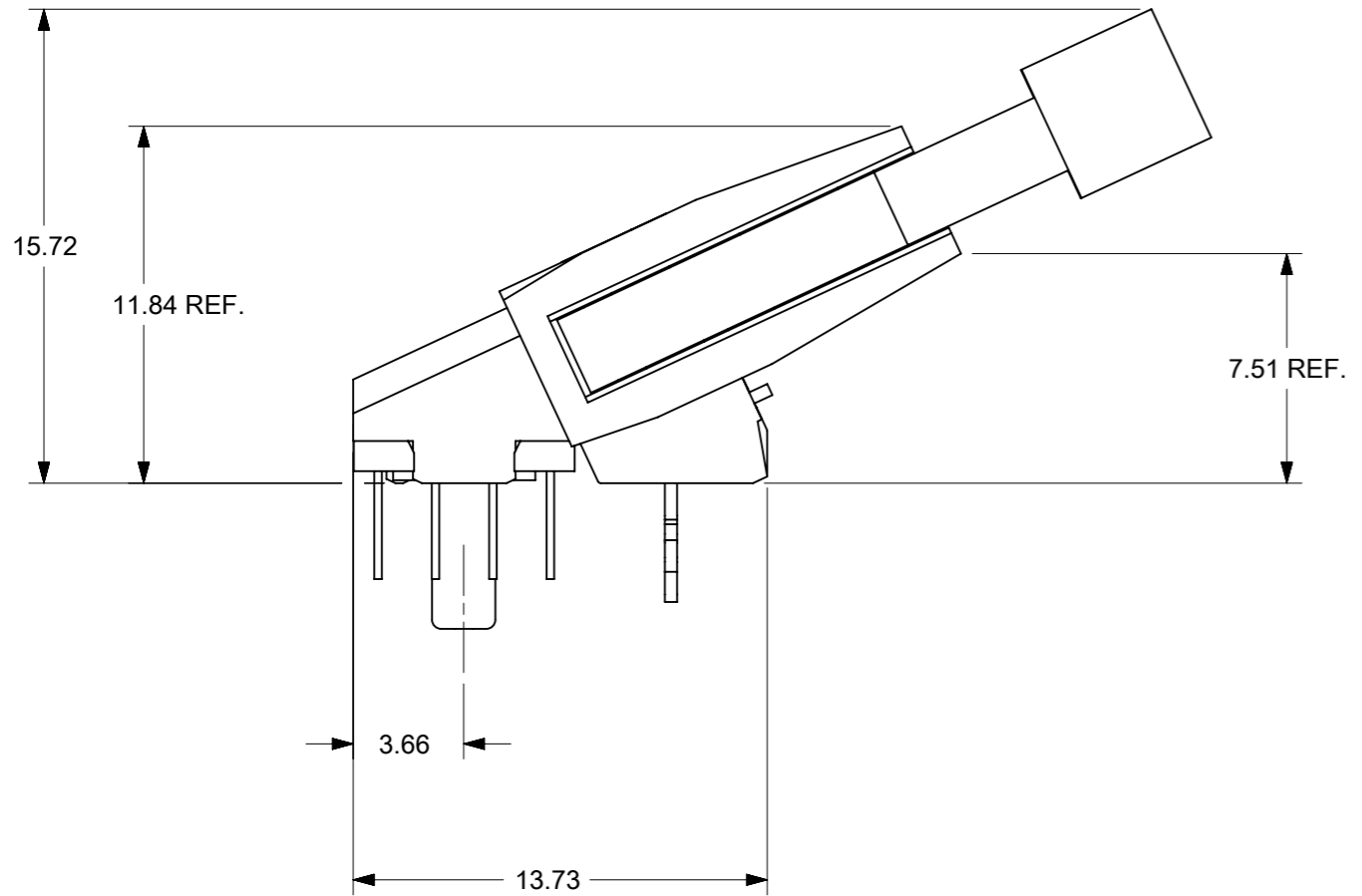
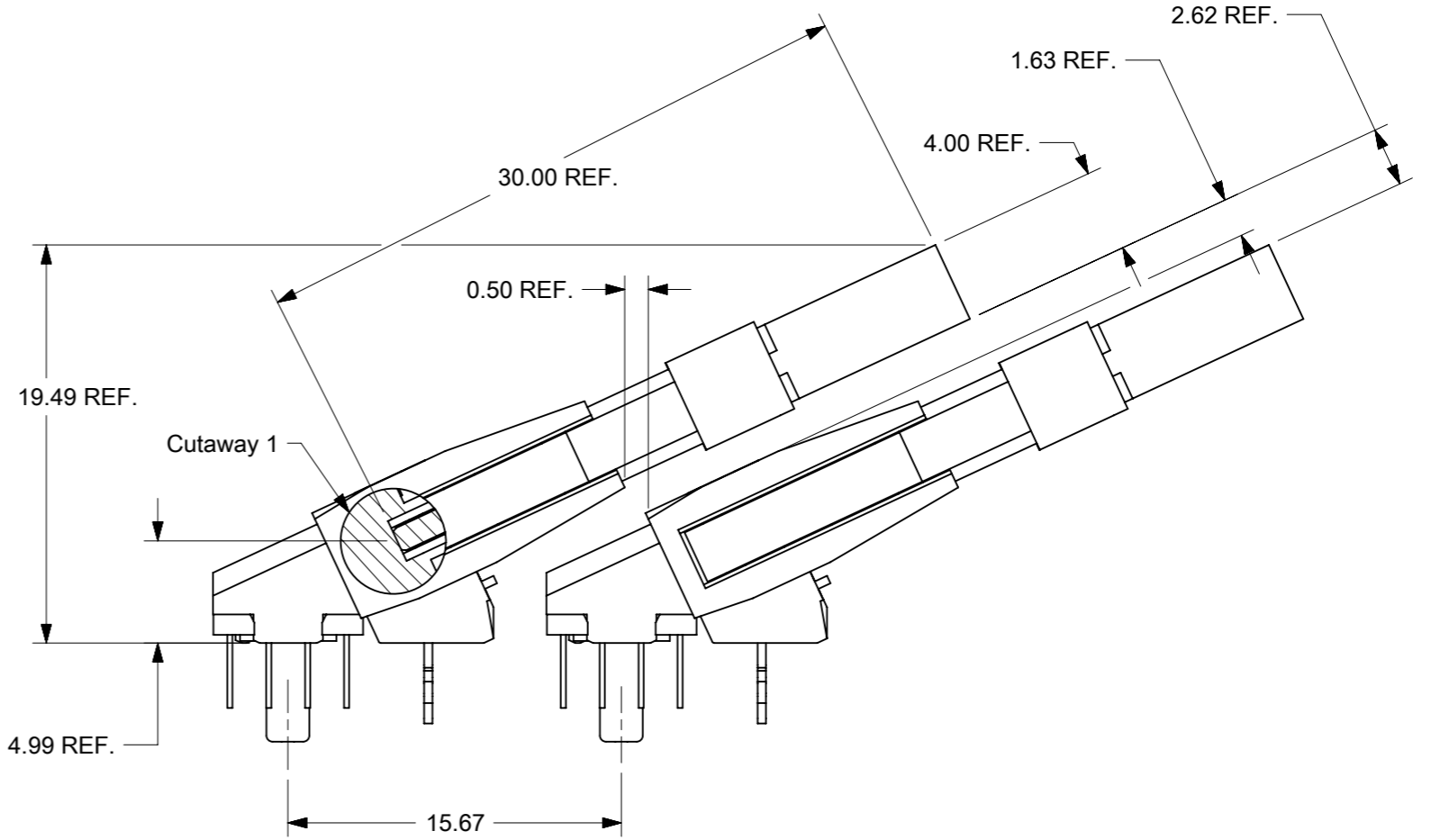


- NOTES:
- MATERIALS : HOUSING AND BASEPLATE
 - LCP, GLASS FILLED, UL 94V-0, BLACK
 LATCH
 - HIGH TEMP. NYLON, GLASS FILLED, UL 94-0, NATURAL (OFF WHITE)
 TERMINALS AND FORKLOCK - COPPER ALLOY
 - PLATING : CONTACT AREA - SEE TABLE IN SHEET 5
 SOLDERTAIL - SEE TABLE IN SHEET 5
 - REFER TO PRODUCT SPECIFICATION, PS-87803-003 FOR PERFORMANCE SPECIFICATIONS.
 - CARD SLOTS ACCEPTS 1.27±0.10 MM MODULE THICKNESS. (MEASURED OVER PC PADS)
 - RECOMMENDED MODULE CARD LAYOUT SHALL BE AS PER JEDEC MO-237.
 - PRODUCT IS PACKED IN TRAY.
 - MOLEX LOGO, DATE CODE AND PART NUMBER INDICATED ON HOUSING.
 - CONTACT MOLEX FOR AVAILABILITY OF PRODUCT OPTIONS.

DOCUMENT STATUS	P1	RELEASE DATE	2021/03/01	05:50:15
-----------------	----	--------------	------------	----------

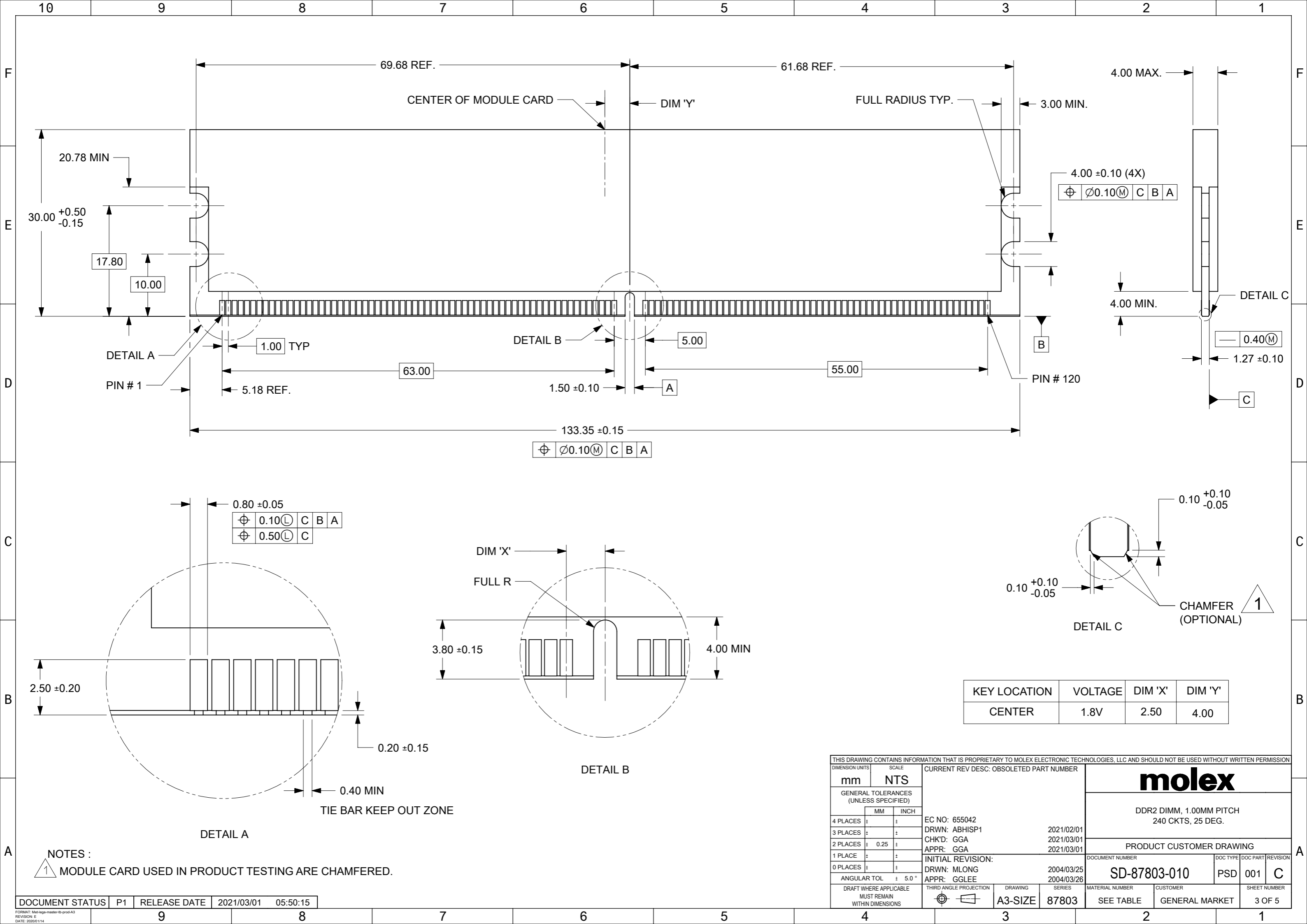
THIS DRAWING CONTAINS INFORMATION THAT IS PROPRIETARY TO MOLEX ELECTRONIC TECHNOLOGIES, LLC AND SHOULD NOT BE USED WITHOUT WRITTEN PERMISSION											
DIMENSION UNITS		SCALE		CURRENT REV DESC: OBSOLETE PART NUMBER				molex		DDR2 DIMM, 1.00MM PITCH 240 CKTS, 25 DEG.	
mm		NTS									
GENERAL TOLERANCES (UNLESS SPECIFIED)											
		MM		INCH							
4 PLACES		±		±		EC NO: 655042					
3 PLACES		±		±		DRWN: ABHISP1		2021/02/01			
2 PLACES		± 0.25		±		CHK'D: GGA		2021/03/01			
1 PLACE		±		±		APPR: GGA		2021/03/01			
0 PLACES		±		±		INITIAL REVISION:					
ANGULAR TOL		± 5.0°				DRWN: MLONG		2004/03/25		DOCUMENT NUMBER	
						APPR: GGLEE		2004/03/26		SD-87803-010	
DRAFT WHERE APPLICABLE MUST REMAIN WITHIN DIMENSIONS		THIRD ANGLE PROJECTION		DRAWING		SERIES		MATERIAL NUMBER		CUSTOMER	
		A3-SIZE		87803		SEE TABLE		GENERAL MARKET		SHEET NUMBER	
										1 OF 5	



MINIMUM RECOMMENDED ROW TO ROW SPACING
WHEN USING A 4.00MM THICK
MODULE (TYPICAL TSOP PACKAGING)

THIS DRAWING CONTAINS INFORMATION THAT IS PROPRIETARY TO MOLEX ELECTRONIC TECHNOLOGIES, LLC AND SHOULD NOT BE USED WITHOUT WRITTEN PERMISSION									
DIMENSION UNITS		SCALE		CURRENT REV DESC: OBSOLETE PART NUMBER				molex	
mm		NTS							
GENERAL TOLERANCES (UNLESS SPECIFIED)				EC NO: 655042		2021/02/01		DDR2 DIMM, 1.00MM PITCH	
				DRWN: ABHISP1		2021/03/01		240 CKTS, 25 DEG.	
				CHK'D: GGA		2021/03/01		PRODUCT CUSTOMER DRAWING	
				APPR: GGA		2021/03/01			
				INITIAL REVISION:				DOCUMENT NUMBER	
4 PLACES ±				DRWN: MLONG		2004/03/25		SD-87803-010	
3 PLACES ±				APPR: GGLEE		2004/03/26		PSD 001 C	
2 PLACES ± 0.25				ANGULAR TOL ± 5.0°					
1 PLACE ±				DRAFT WHERE APPLICABLE MUST REMAIN WITHIN DIMENSIONS		THIRD ANGLE PROJECTION		DRAWING	
0 PLACES ±						SERIES		MATERIAL NUMBER	
						A3-SIZE		87803	
						CUSTOMER		GENERAL MARKET	
						SHEET NUMBER		2 OF 5	

DOCUMENT STATUS	P1	RELEASE DATE	2021/03/01	05:50:15
-----------------	----	--------------	------------	----------

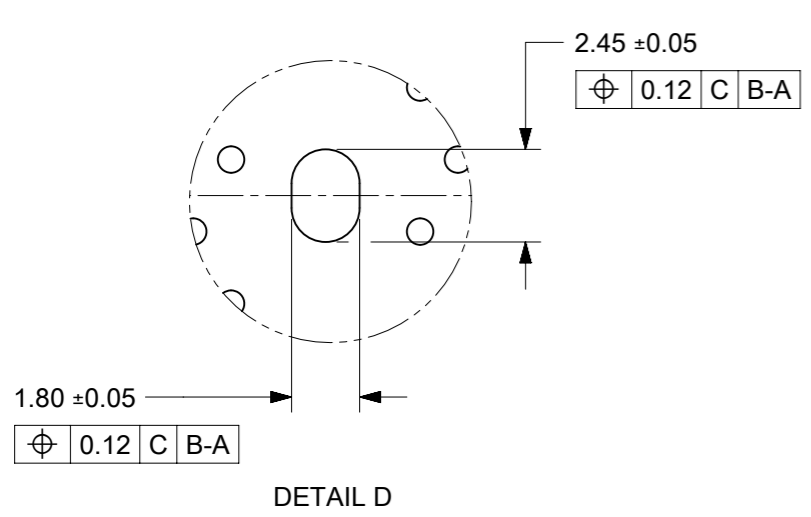
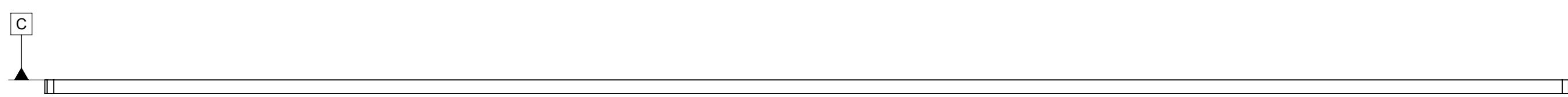
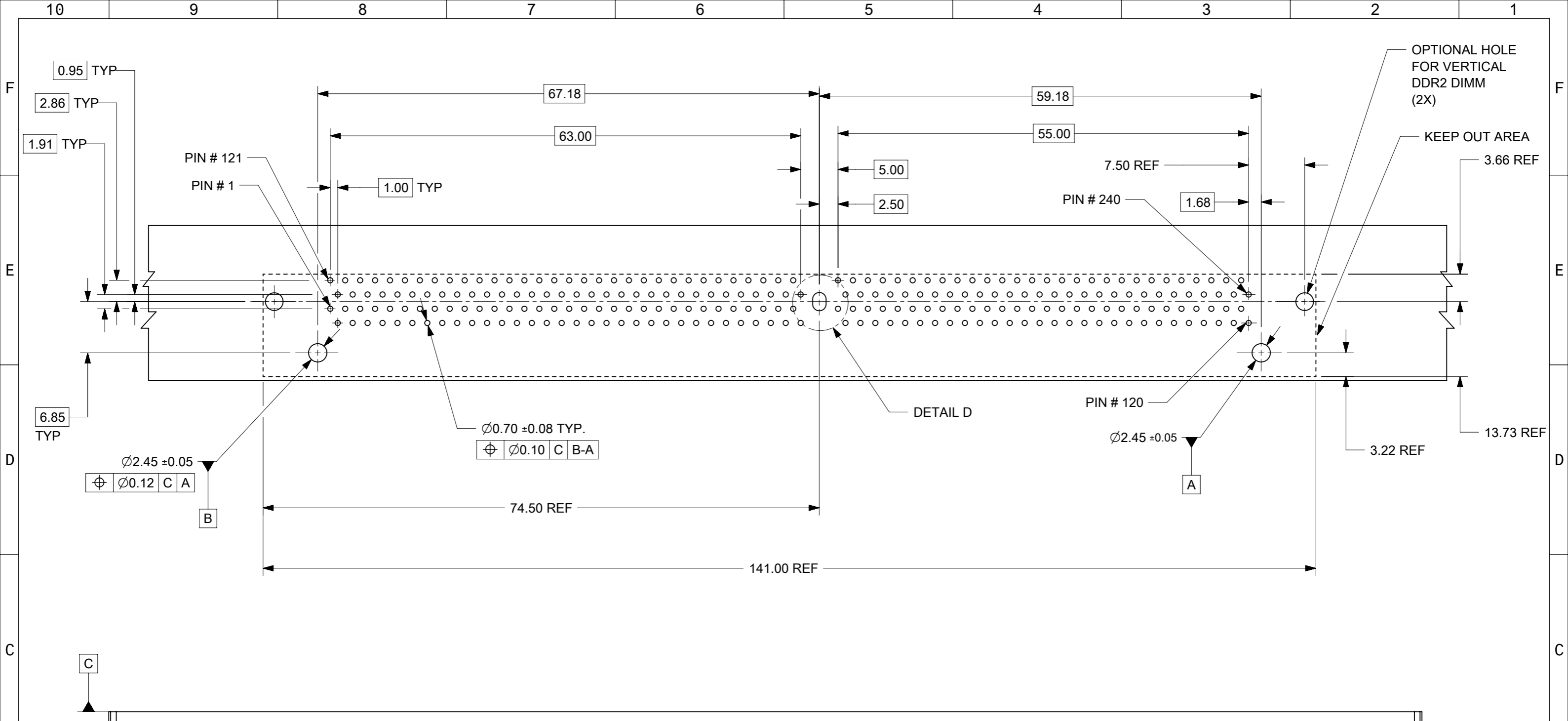


KEY LOCATION	VOLTAGE	DIM 'X'	DIM 'Y'
CENTER	1.8V	2.50	4.00

THIS DRAWING CONTAINS INFORMATION THAT IS PROPRIETARY TO MOLEX ELECTRONIC TECHNOLOGIES, LLC AND SHOULD NOT BE USED WITHOUT WRITTEN PERMISSION											
DIMENSION UNITS		SCALE		CURRENT REV DESC: OBSOLETE PART NUMBER							
mm		NTS									
GENERAL TOLERANCES (UNLESS SPECIFIED)											
		MM		INCH		EC NO: 655042		2021/02/01		2021/03/01	
4 PLACES		±		±		DRWN: ABHISP1		2021/03/01		2021/03/01	
3 PLACES		±		±		CHK'D: GGA		2021/03/01		2021/03/01	
2 PLACES		±		0.25		APPR: GGA		2021/03/01		2021/03/01	
1 PLACE		±		±		INITIAL REVISION:					
0 PLACES		±		±		DRWN: MLONG		2004/03/25		2004/03/26	
ANGULAR TOL		±		5.0°		APPR: GGLEE		2004/03/26		2004/03/26	
DRAFT WHERE APPLICABLE MUST REMAIN WITHIN DIMENSIONS				THIRD ANGLE PROJECTION		DRAWING		SERIES		MATERIAL NUMBER	
						A3-SIZE		87803		SEE TABLE	
						GENERAL MARKET		3 OF 5			

NOTES :
 1 MODULE CARD USED IN PRODUCT TESTING ARE CHAMFERED.

DOCUMENT STATUS	P1	RELEASE DATE	2021/03/01	05:50:15
-----------------	----	--------------	------------	----------



THIS DRAWING CONTAINS INFORMATION THAT IS PROPRIETARY TO MOLEX ELECTRONIC TECHNOLOGIES, LLC AND SHOULD NOT BE USED WITHOUT WRITTEN PERMISSION											
DIMENSION UNITS		SCALE		CURRENT REV DESC: OBSOLETE PART NUMBER							
mm		NTS									
GENERAL TOLERANCES (UNLESS SPECIFIED)				EC NO: 655042		2021/02/01		DDR2 DIMM, 1.00MM PITCH		25 DEG.	
				DRWN: ABHISP1		2021/03/01		240 CKTS, 25 DEG.			
				CHK'D: GGA		2021/03/01		PRODUCT CUSTOMER DRAWING			
				APPR: GGA		2021/03/01					
				INITIAL REVISION:				DOCUMENT NUMBER		DOC TYPE DOC PART REVISION	
4 PLACES ±				DRWN: MLONG		2004/03/25		SD-87803-010		PSD 001 C	
3 PLACES ±				APPR: GGLEE		2004/03/26					
2 PLACES ± 0.25				DRAFT WHERE APPLICABLE MUST REMAIN WITHIN DIMENSIONS		THIRD ANGLE PROJECTION		DRAWING		SHEET NUMBER	
1 PLACE ±								A3-SIZE		87803	
0 PLACES ±								SERIES		MATERIAL NUMBER	
ANGULAR TOL ± 5.0°								CUSTOMER		GENERAL MARKET	
DOCUMENT STATUS		P1		RELEASE DATE		2021/03/01 05:50:15		SEE TABLE		4 OF 5	

DOCUMENT STATUS	P1	RELEASE DATE	2021/03/01	05:50:15
-----------------	----	--------------	------------	----------

PART NO.	VOLTAGE KEY	DIM 'P'	DIM 'Q'	RECOMMENDED PCB THICKNESS	CONTACT AREA PLATING	SOLDERTAIL PLATING	LUBRICATION
87803-0022	1.8V	2.79	3.18	1.57	0.38uM/ 15u" GOLD OVER 1.27uM/ 50u" MIN NICKEL	2.54uM/ 100u" MIN. TIN (MATTE) OVER 1.27uM/ 50u" MIN NICKEL	YES
87803-0032		3.18	4.83	2.36			YES
87803-0052		4.00		3.18			NO
87803-0062			2.79	3.18			1.57
87803-0122		3.18	4.83	2.36	0.76uM/ 30u" GOLD OVER 1.27uM/ 50u" MIN NICKEL		YES
87803-0132		4.00		3.18			NO
87803-0152				4.00	3.18		YES
87803-0162							

THIS DRAWING CONTAINS INFORMATION THAT IS PROPRIETARY TO MOLEX ELECTRONIC TECHNOLOGIES, LLC AND SHOULD NOT BE USED WITHOUT WRITTEN PERMISSION											
DIMENSION UNITS		SCALE		CURRENT REV DESC: OBSOLETE PART NUMBER						molex	
mm		NTS									
GENERAL TOLERANCES (UNLESS SPECIFIED)										DDR2 DIMM, 1.00MM PITCH 240 CKTS, 25 DEG.	
										PRODUCT CUSTOMER DRAWING	
4 PLACES ±		±		EC NO: 655042		2021/02/01				DOCUMENT NUMBER	
3 PLACES ±		±		DRWN: ABHISP1		2021/03/01				DOC TYPE	
2 PLACES ±		0.25 ±		CHK'D: GGA		2021/03/01				DOC PART	
1 PLACE ±		±		APPR: GGA		2021/03/01				REVISION	
0 PLACES ±		±		INITIAL REVISION:						SD-87803-010	
ANGULAR TOL ±		5.0 °		DRWN: MLONG		2004/03/25				PSD	
				APPR: GGLEE		2004/03/26				001	
DRAFT WHERE APPLICABLE MUST REMAIN WITHIN DIMENSIONS				THIRD ANGLE PROJECTION		DRAWING		SERIES		MATERIAL NUMBER	
						A3-SIZE		87803		SEE TABLE	
								CUSTOMER		GENERAL MARKET	
										SHEET NUMBER	
										5 OF 5	