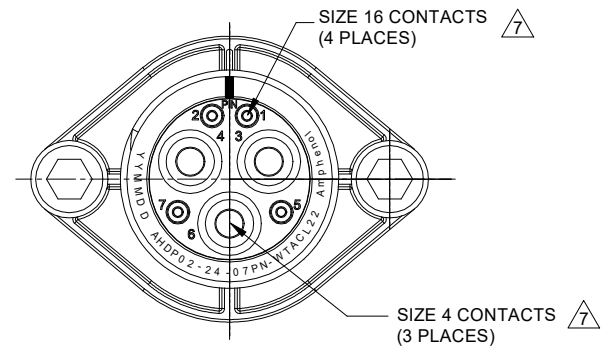
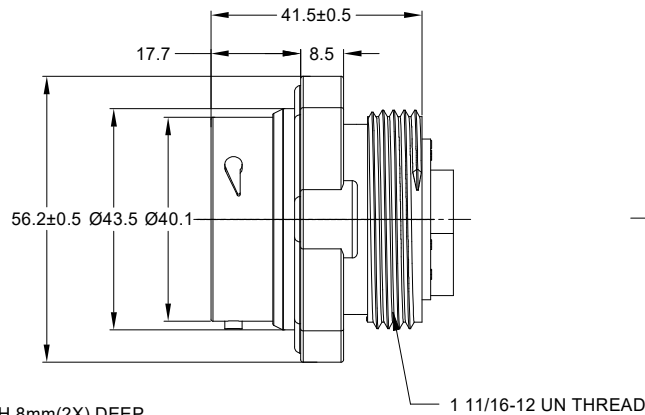
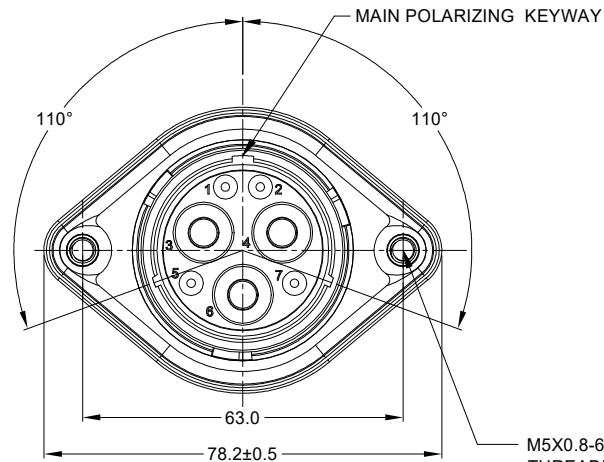


| REVISIONS |     |                     |           |       |       |
|-----------|-----|---------------------|-----------|-------|-------|
| REV       | ECO | DESCRIPTION         | DATE      | BY    | APPR  |
| A1        | -   | RELEASE NEW DRAWING | 01/SEP/20 | LOUIE | TOMMY |



NOTES: UNLESS OTHERWISE SPECIFIED

1. MATERIAL:

HOUSING: THERMOPLASTIC; BLACK  
SEAL: SILICONE RUBBER  
THREADED INSERT: STAINLESS STEEL

2. MODIFICATIONS: WIDE THREADED ADAPTER (WTA);  
STANDARD DIA. WIRE SEAL;  
SEALED PANEL MOUNT

3. SPECIFICATIONS:

- 3.1 OPERATING TEMPERATURE: -55°C TO +125°C.
- 3.2 DIELECTRIC WITHSTANDING VOLTAGE: LESS THAN 2 MILLIAMPS CURRENT LEAKAGE @ 1500 VOLTS AC.
- 3.3 INSULATION RESISTANCE: 1000 MEGOHM MIN @ 25°C.
- 3.4 MOISTURE RESISTANCE: IP67&IP69K ( MATED CONDITION ).
- 3.5 MATING CYCLE DURABILITY: 100 CYCLES
- 3.6 RoHS COMPLIANT

4. MATING PART: AHDPO6-24-07S\*-WTACL22/SRACL22  
(\* = SEAL TYPE )

5. ALL DIMENSIONS ARE FOR REFERENCE USE ONLY.

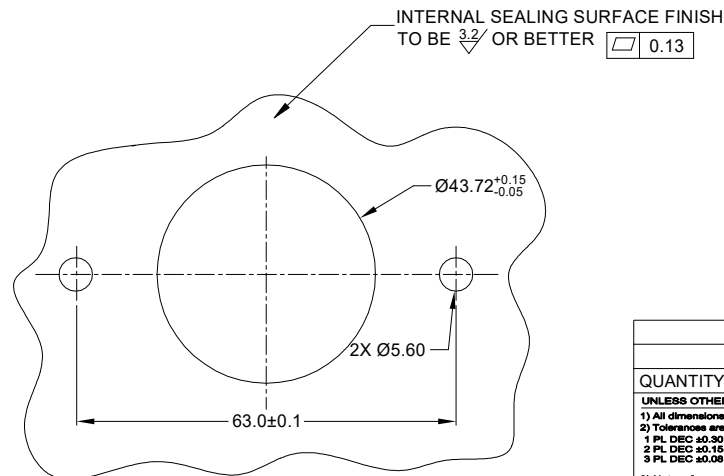
6. RECEPTACLE IS SUPPLIED WITH DUST CAP (NOT SHOW)

CONTACT SIZE AND WIRE RANGE:

| CONTACT SIZE | MIN. INSUL O.D.   | MAX. INSUL O.D.    | TYPICAL WIRE RANGE                  | CURRENT RATING |
|--------------|-------------------|--------------------|-------------------------------------|----------------|
| 4+           | 7.9 mm (.311 in)  | 10.67 mm (.420 in) | 4 AWG (25.0-21.0 mm <sup>2</sup> )  | 100 AMPS       |
| 16           | 2.54 mm (.100 in) | 3.40 mm (.134 in)  | 14-20 AWG (2.0-0.5mm <sup>2</sup> ) | 13 AMPS        |

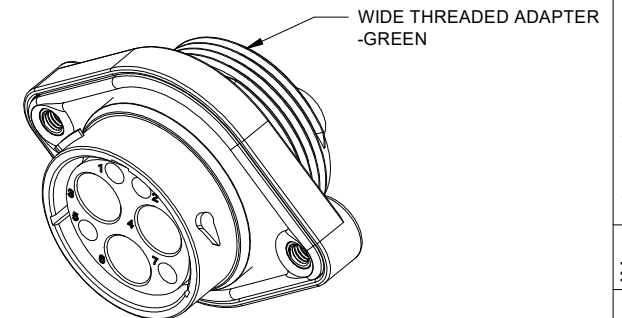
M5X0.8-6H 8mm(2X) DEEP THREADED INSERT

RECOMMENDED TORQUE VALUES: 1.9-2.2 N.m



RECOMMENDED PANEL MOUNTING HOLE

RECOMMENDED PANEL THICKNESS: 1.6 TO 4.7MM



| AHDPO2-24-07PN-WTACL22               |             | DESCRIPTION  |  | ITEM |
|--------------------------------------|-------------|--|--|------|
| QUANTITY                             | PART NUMBER | MATERIALS LIST   |  |      |
| UNLESS OTHERWISE SPECIFIED           |             |  |  |      |
| 1) All dimensions are in metric(mm). |             |  |  |      |
| 2) Tolerances are as follows:        |             |  |  |      |
| 1 PL DEC ±0.30 Fractions ±1/64       |             |  |  |      |
| 2 PL DEC ±0.15 Angles ±1°            |             |  |  |      |
| 3) Note reference =                  |             |  |  |      |
| SIGNATURES                           |             | DATE   |  |      |
| DRAWN: LOUIE                         |             | 01/SEP/20  |  |      |
| CHECKED: ORION                       |             | 02/SEP/20  |  |      |
| ENGINEER:                            |             |  |  |      |
| APPROVAL: TOMMY                      |             | 03/SEP/20  |  |      |
| MATERIAL SPECIFICATIONS:             |             | CUSTOMER:  |  |      |
| PROCESS SPECIFICATIONS:              |             | THIS DRAWING IS SUPPLIED FOR INFORMATION ONLY. DESIGN FEATURES, SPECIFICATIONS AND PERFORMANCE DATA SHOWN HEREON ARE THE PROPERTY OF THE AMPHENOL CORPORATION. NO RIGHTS OF REPRODUCTION ARE IMPLIED. ALL DIMENSIONS ARE SUBJECT TO NORMAL MANUFACTURING VARIATIONS. |  |      |
| NEXT ASSY:                           |             | SCALE: NONE  |  |      |
|                                      |             | SIZE: B C- AHDPO2-24-07PN-WTACL22 A1   |  |      |
|                                      |             | DURAMATE SHEET 1 OF 1  |  |      |

TITLE: 7 POS. RECEPTACLE, PIN, PANELMATE, AHD SIZE 24, NORMAL SEAL, WTA  
DWG NO.: AHDPO2-24-07PN-WTACL22  
REV: A1  
SH: 1  
OF: 1

# AT Series™ - Contact Size 16 Options

| Machined Contacts, Sockets & Pins |  |      |       |          |
|-----------------------------------|--|------|-------|----------|
| Part Number                       | Description                            | Size | AWG   | Type     |
| AT60-215-1631                     | Male Contact - Pin, Gold-plated        | 16   | 14    | Machined |
| AT62-209-1631                     | Female Contact - Socket, Gold-plated   | 16   | 14    | Machined |
| AT60-215-16141                    | Male Contact - Pin, Nickel-plated      | 16   | 14    | Machined |
| AT62-209-16141                    | Female Contact - Socket, Nickel-plated | 16   | 14    | Machined |
| AT60-202-1631                     | Male Contact - Pin, Gold-plated        | 16   | 16-20 | Machined |
| AT62-201-1631                     | Female Contact - Socket, Gold-plated   | 16   | 16-20 | Machined |
| AT60-202-16141                    | Male Contact - Pin, Nickel-plated      | 16   | 16-20 | Machined |
| AT62-201-16141                    | Female Contact - Socket, Nickel-plated | 16   | 16-20 | Machined |
| AT60-202-1631-22                  | Male Contact - Pin, Gold-plated        | 16   | 22-24 | Machined |
| AT62-201-1631-22                  | Female Contact - Socket, Gold-plated   | 16   | 22-24 | Machined |
| AT60-202-16141-22                 | Male Contact - Pin, Nickel-plated      | 16   | 22-24 | Machined |
| AT62-201-16141-22                 | Female Contact - Socket, Nickel-plated | 16   | 22-24 | Machined |

| Tooling - Machined Contacts   |             |   |
|---|-------------|---|
| Part  | Part Number | Description   |
|  | CA-5D12     | Universal Hand Crimp Tool, Size 12/16/20 (Machined contacts only) |
|  | CA-5E12     | Pneumatic Crimp Tool, Size 12/16/20 (Machined contacts only)      |

| Contact Removal Tools   |               |   |
|---|---------------|---|
| Part  | Part Number   | Description   |
|  | ATRT-100      | Used for removal of contacts for A Series™ products |
|  | AT11-310-1605 | Contact Removal Tool, Plastic, Size 16              |
|  | A114017       | Sealing Plug, Size 16, White                        |





| Stamped & Formed Contacts, Sockets & Pins |  |      |       |                  |
|---|--|------|-------|------------------|
| Part Number                               | Description                            | Size | AWG   | Type             |
| AT60-14-0144                              | Male Contact - Pin, Gold-plated        | 16   | 14-16 | Stamped & Formed |
| AT62-14-0144                              | Female Contact - Socket, Gold-plated   | 16   | 14-16 | Stamped & Formed |
| AT60-14-0122                              | Male Contact - Pin, Nickel-plated      | 16   | 14-16 | Stamped & Formed |
| AT62-14-0122                              | Female Contact - Socket, Nickel-plated | 16   | 14-16 | Stamped & Formed |
| AT60-16-0144                              | Male Contact - Pin, Gold-plated        | 16   | 16-18 | Stamped & Formed |
| AT62-16-0144                              | Female Contact - Socket, Gold-plated   | 16   | 16-18 | Stamped & Formed |
| AT60-16-0122                              | Male Contact - Pin, Nickel-plated      | 16   | 16-18 | Stamped & Formed |
| AT62-16-0122                              | Female Contact - Socket, Nickel-plated | 16   | 16-18 | Stamped & Formed |
| AT60-16-0644                              | Male Contact - Pin, Gold-plated        | 16   | 18-20 | Stamped & Formed |
| AT62-16-0644                              | Female Contact - Socket, Gold-plated   | 16   | 18-20 | Stamped & Formed |
| AT60-16-0622                              | Male Contact - Pin, Nickel-plated      | 16   | 18-20 | Stamped & Formed |
| AT62-16-0622                              | Female Contact - Socket, Nickel-plated | 16   | 18-20 | Stamped & Formed |
| AT60-16-0844                              | Male Contact - Pin, Gold-plated        | 16   | 20-22 | Stamped & Formed |
| AT62-16-0844                              | Female Contact - Socket, Gold-plated   | 16   | 20-22 | Stamped & Formed |
| AT60-16-0822                              | Male Contact - Pin, Nickel-plated      | 16   | 20-22 | Stamped & Formed |
| AT62-16-0822                              | Female Contact - Socket, Nickel-plated | 16   | 20-22 | Stamped & Formed |


| Tooling - Stamped & Formed Contacts   |             |   |
|---|-------------|---|
| Part  | Part Number | Description   |
|   | MFX-3950    | Crimp Die - Size 16, 18-20AWG (S&F contacts only)       |
|   | MFX-3953    | Crimp Die - Size 16, 16-18AWG (S&F contacts only)       |
|   | MFX-3975    | Crimp Die - Size 16, 14-16AWG (S&F contacts only)       |
|   | MFX-3990    | Crimp Die - Size 16, 20-22AWG (S&F contacts only)       |
|  | ATT-16-00   | Hand Crimp Tool - Size 16, 14-16AWG (S&F contacts only) |
|   | ATT-16-01   | Hand Crimp Tool - Size 16, 18-20AWG (S&F contacts only) |
|   | ATT-1612-03 | Hand Crimp Tool - Size 16, 20-22AWG (S&F contacts only) |

**Amphenol Sine Systems**  
 44724 Morley Drive  
 Clinton Township, MI 48036 USA  
[www.amphenol-sine.com](http://www.amphenol-sine.com)  
 09/2021

## DuraMate™ ATHD Series™ - Contact Size 4 Options

| Machined Contacts, Pins and Sockets |  |      |     |          |      |
|-------------------------------------|--|------|-----|----------|------|
| Part Number                         | Description  | Size | AWG | Type     | Amps |
| AT60-203-04141-4                    | Male Contact - Pin, Copper Alloy, Nickel-Plated      | 4    | 4   | Machined | 100A |
| AT60-204-0490                       | Male Contact - Pin, Copper Alloy, Nickel-Plated      | 4    | 6   | Machined | 100A |
| AT62-203-04141-4                    | Female Contact - Socket, Copper Alloy, Nickel-Plated | 4    | 4   | Machined | 100A |
| AT62-203-04141                      | Female Contact - Socket, Copper Alloy, Nickel-Plated | 4    | 6   | Machined | 100A |

| Tooling - Machined Contacts   |             |  |
|---|-------------|--|
| Part  | Part Number | Description  |
|  | WA23        | Heavy Duty Pneumatic Crimp Tool<br>-Uses Universal Positioner Part No. WA23-101DA and Crimp Locator MFX-3961 |
|  | WA23-138DA  | Die Assembly<br>-for Heavy Duty Pneumatic Crimp Tool, Size 4   |
|  | WA23-11     | Contact Locator, Size 4  |
|  | 96-978-22   | Crimper and Dies<br>-for Size 10mm <sup>2</sup> -185mm <sup>2</sup> Wires                                    |

| Contact Removal Tools   |               |   |
|---|---------------|---|
| Part  | Part Number   | Description                                 |
|  | AT11-027-0405 | Contact Removal Tool, Plastic, Size 4, 4AWG |