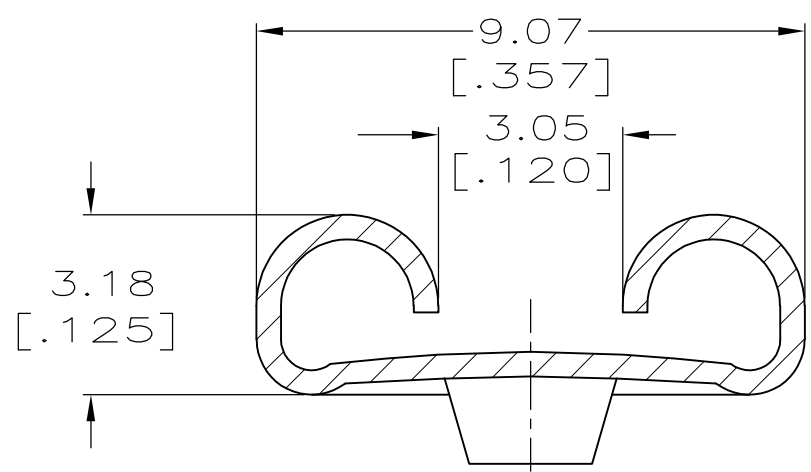
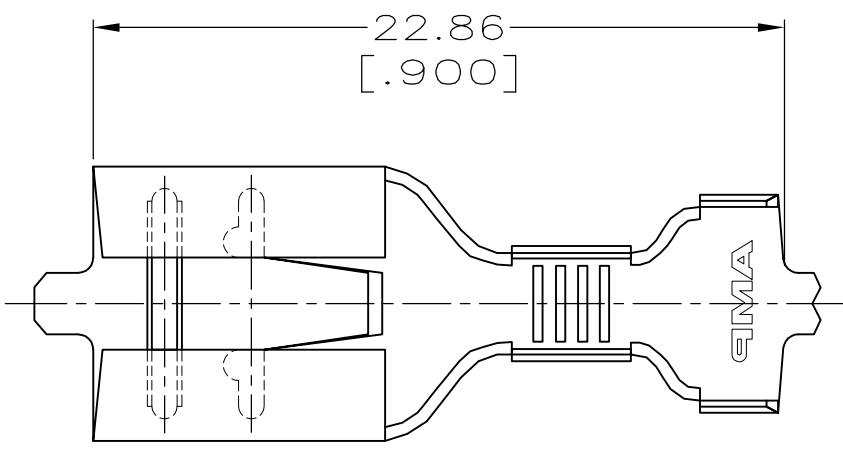


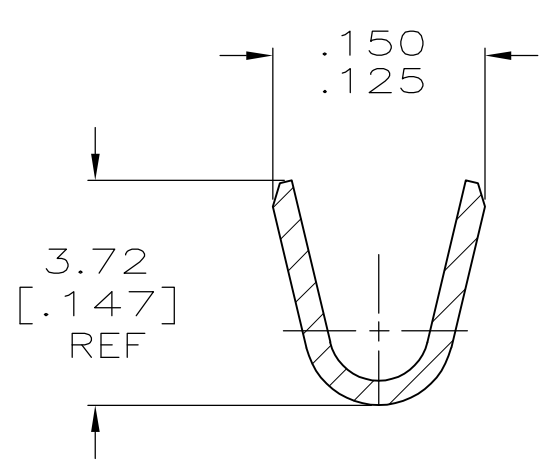
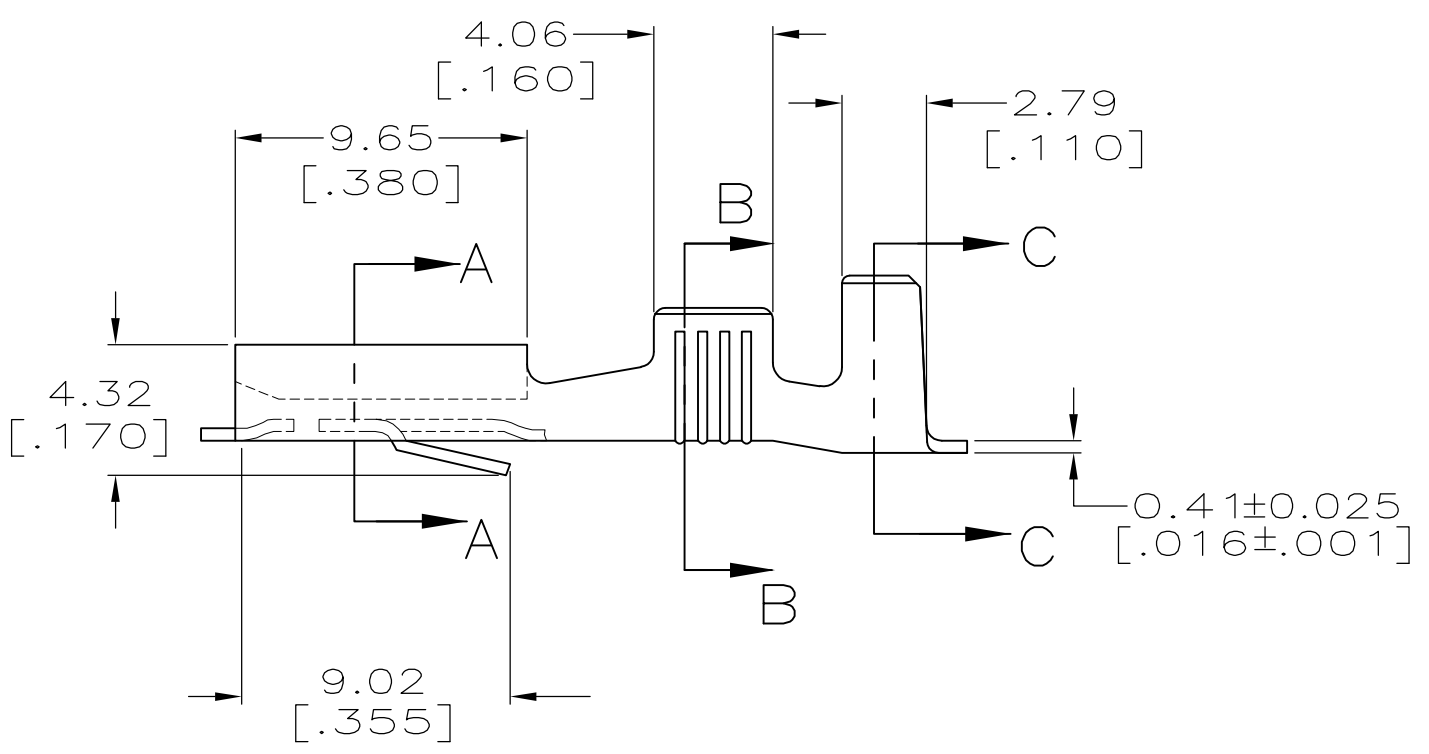
THIS DRAWING IS UNPUBLISHED. RELEASED FOR PUBLICATION  
 © COPYRIGHT - By - ALL RIGHTS RESERVED.

| LOC | DIST | REVISIONS |     |                           |           |     |      |
|-----|------|-----------|-----|---------------------------|-----------|-----|------|
| AF  | 50   | P         | LTR | DESCRIPTION               | DATE      | DWN | APVD |
|     |      | D         |     | REVISED PER ECR-13-005733 | 29AUG2013 | KH  | PD   |

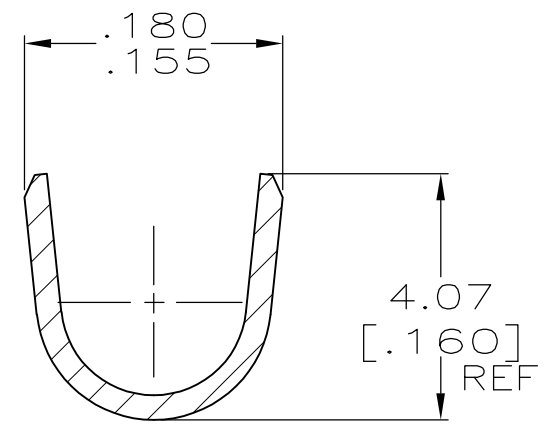


SECTION A-A  
SCALE 8:1

- 1 CONTINUOUS STRIP ON REELS.
- 2 MATING TAB THK TO BE 0.81 ±0.025 [.032 ±.001].
- 3 WIRE SIZE IS [#18-#14] AWG.
- 4 INSULATION RANGE IS 2.29-3.30 [.090-.130] DIA.



SECTION B-B  
SCALE 8:1



SECTION C-C  
SCALE 8:1

62392-1  
PART NO.

|                    |                |                                  |                   |                |                         |      |
|--------------------|----------------|----------------------------------|-------------------|----------------|-------------------------|------|
| 0                  | 3.56<br>[.140] | 5.59<br>[.220]                   | F                 | 2.79<br>[.110] | 1.85 [.073] [#14]       |      |
|                    |                |                                  |                   |                | 1.62 [.064] [#16]       |      |
|                    |                |                                  |                   |                | 1.47 [.058] [#18]       |      |
| TYPE               | WIDTH          | STRIP LENGTH<br>±0.38<br>±[.015] | TYPE              | WIDTH          | ±.051 [±.002]<br>HEIGHT | WIRE |
| INSUL BARREL CRIMP |                |                                  | WIRE BARREL CRIMP |                |                         |      |

THIS DRAWING IS A CONTROLLED DOCUMENT.

DIMENSIONS: mm [INCHES]

TOLERANCES UNLESS OTHERWISE SPECIFIED:

0 PLC ± -  
 1 PLC ± -  
 2 PLC ± 0.38 [.015]  
 3 PLC ± -  
 4 PLC ± -  
 ANGLES ± 1°

MATERIAL: BRASS

FINISH: -

DWN: JR RUTH 6/18/97  
 CHK: MS FEHER 6/18/97  
 APVD: J GILLESPIE 6/18/97

PRODUCT SPEC: -  
 APPLICATION SPEC: 114-2065  
 WEIGHT: -

CUSTOMER DRAWING

**STE** TE Connectivity

NAME: RECEPTACLE, FASTIN-FASTON, 7.92 [.312] SERIES

SIZE: A3 CAGE CODE: 00779 DRAWING NO: C-62392 RESTRICTED TO: -

SCALE: 4:1 SHEET: 1 OF 1 REV: D